

## MTS BASE PLATE

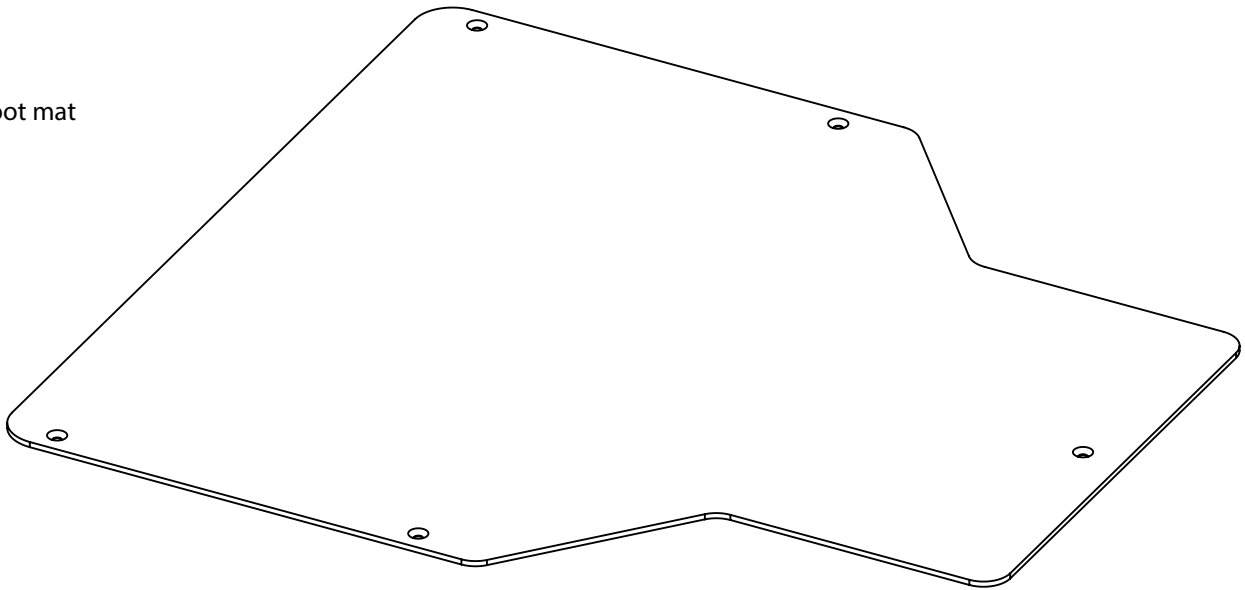
Instruction Manual  
Bedienungsanleitung  
Mode d'emploi

# PARTS

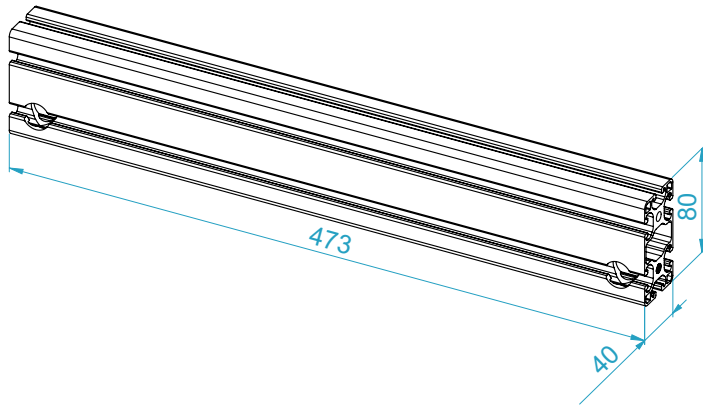
[dimensions in mm / different scales]  
No extra or spare parts listed!

1x

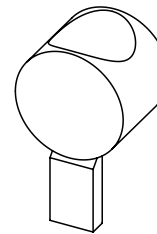
+ foot mat



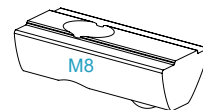
1x



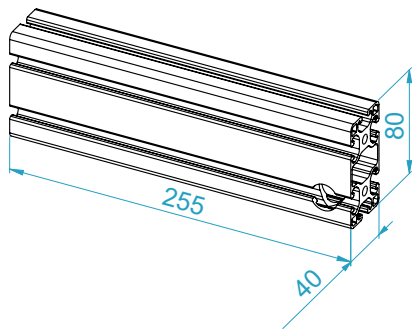
6x



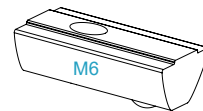
6x



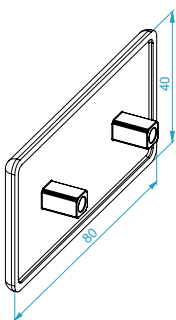
1x



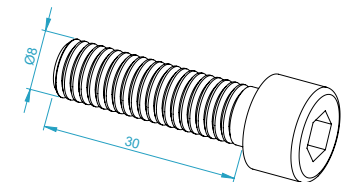
5x



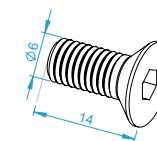
1x



6x

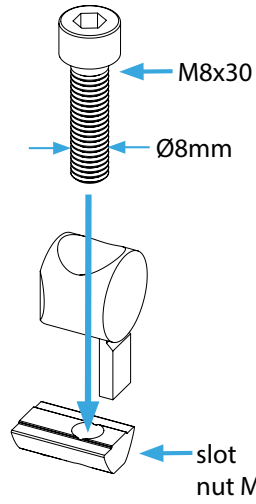


5x

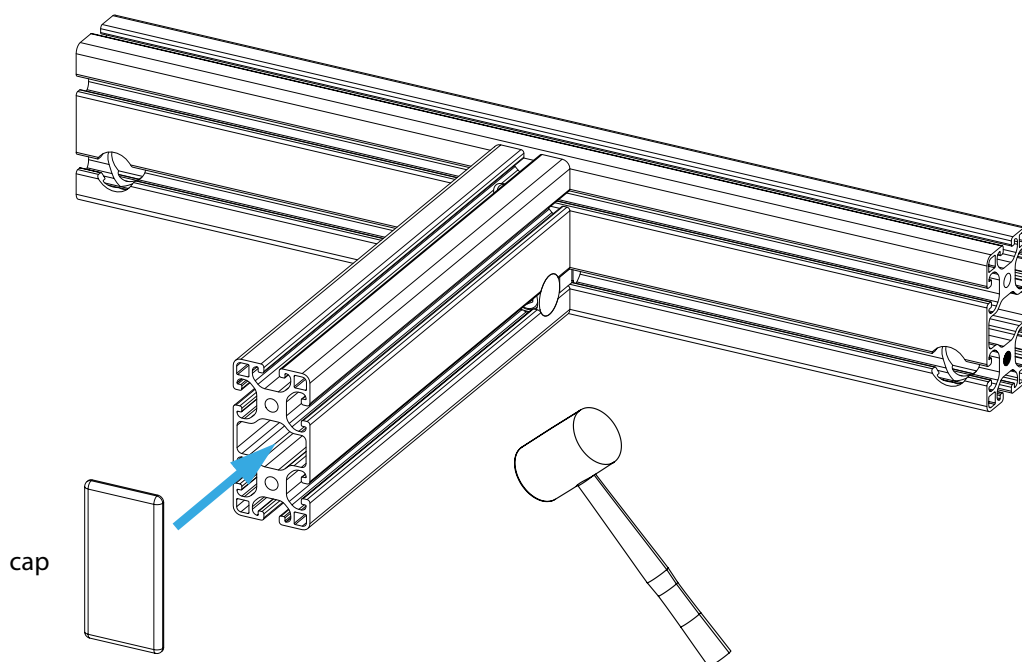
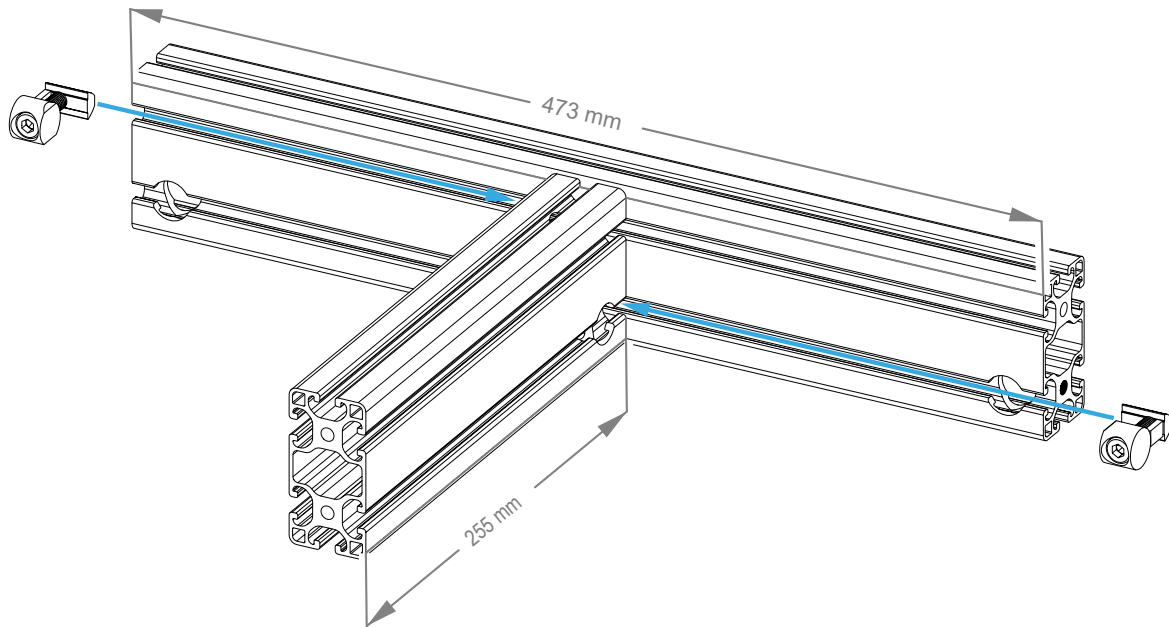


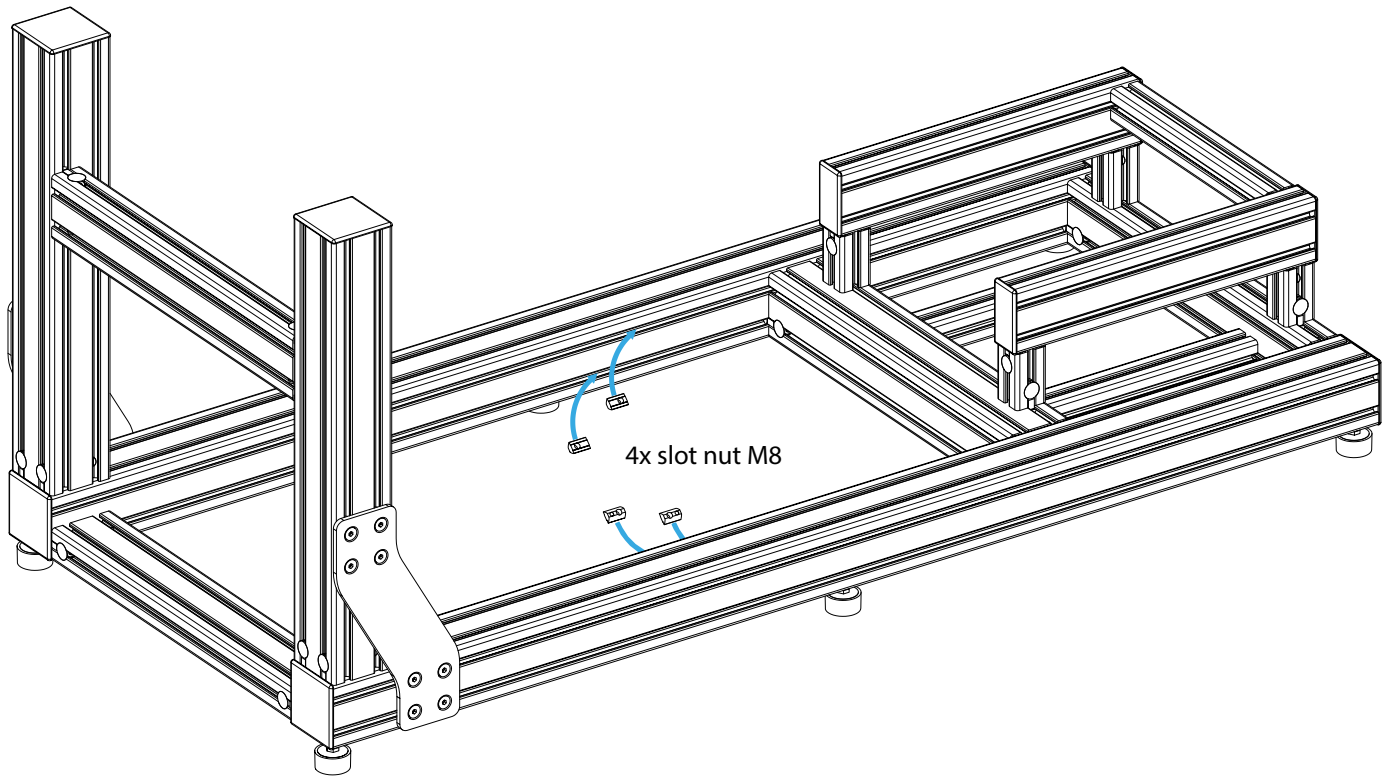
flat head  
black

# ASSEMBLY

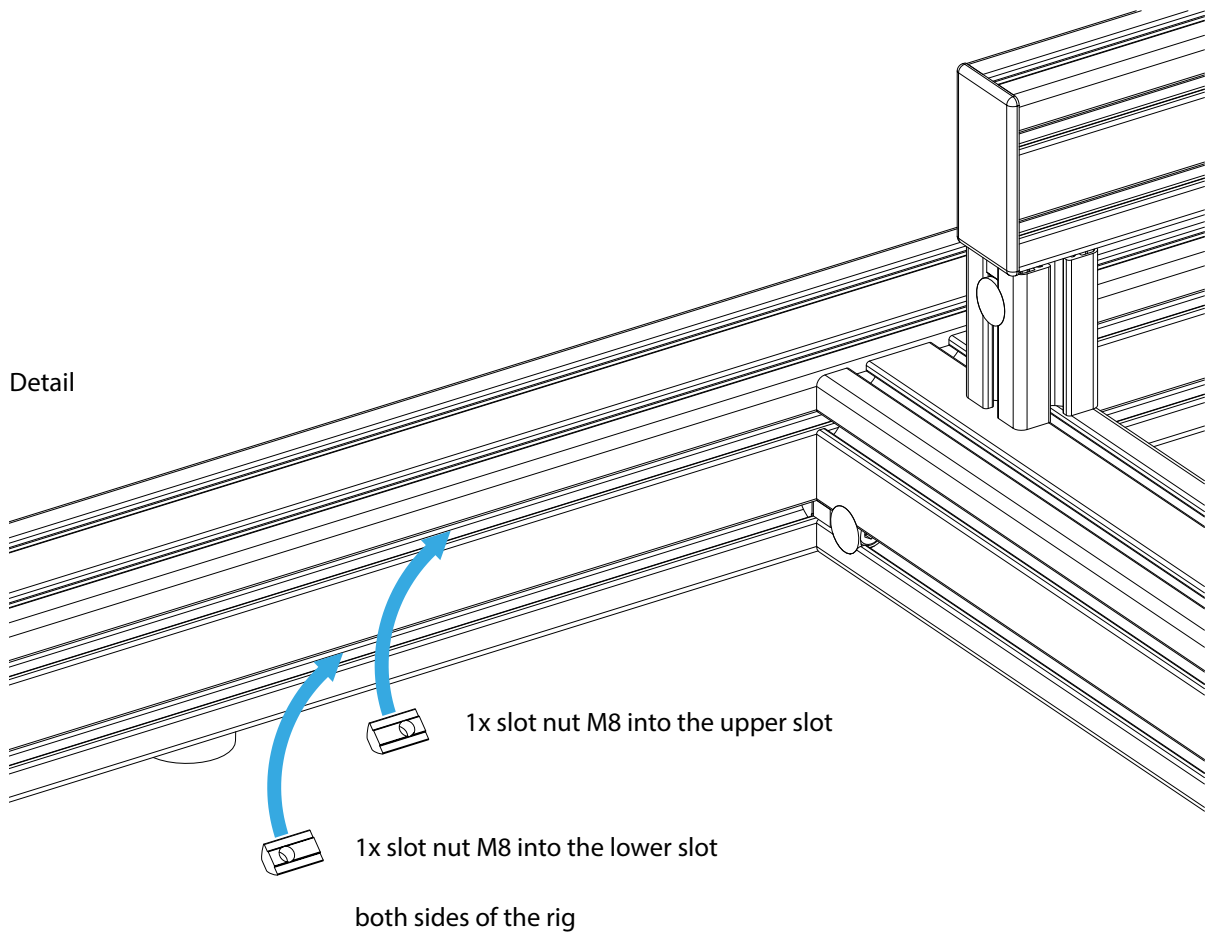


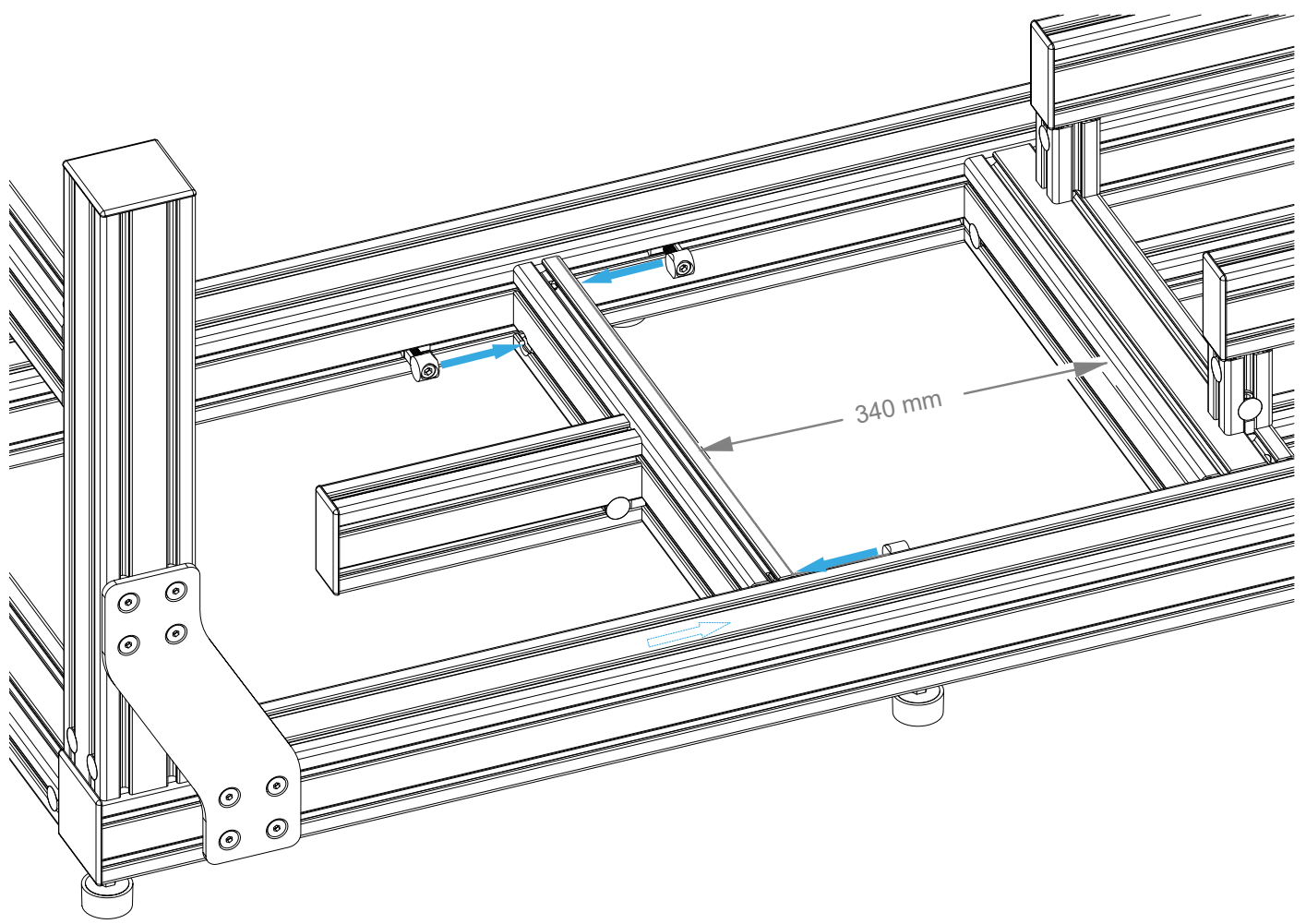
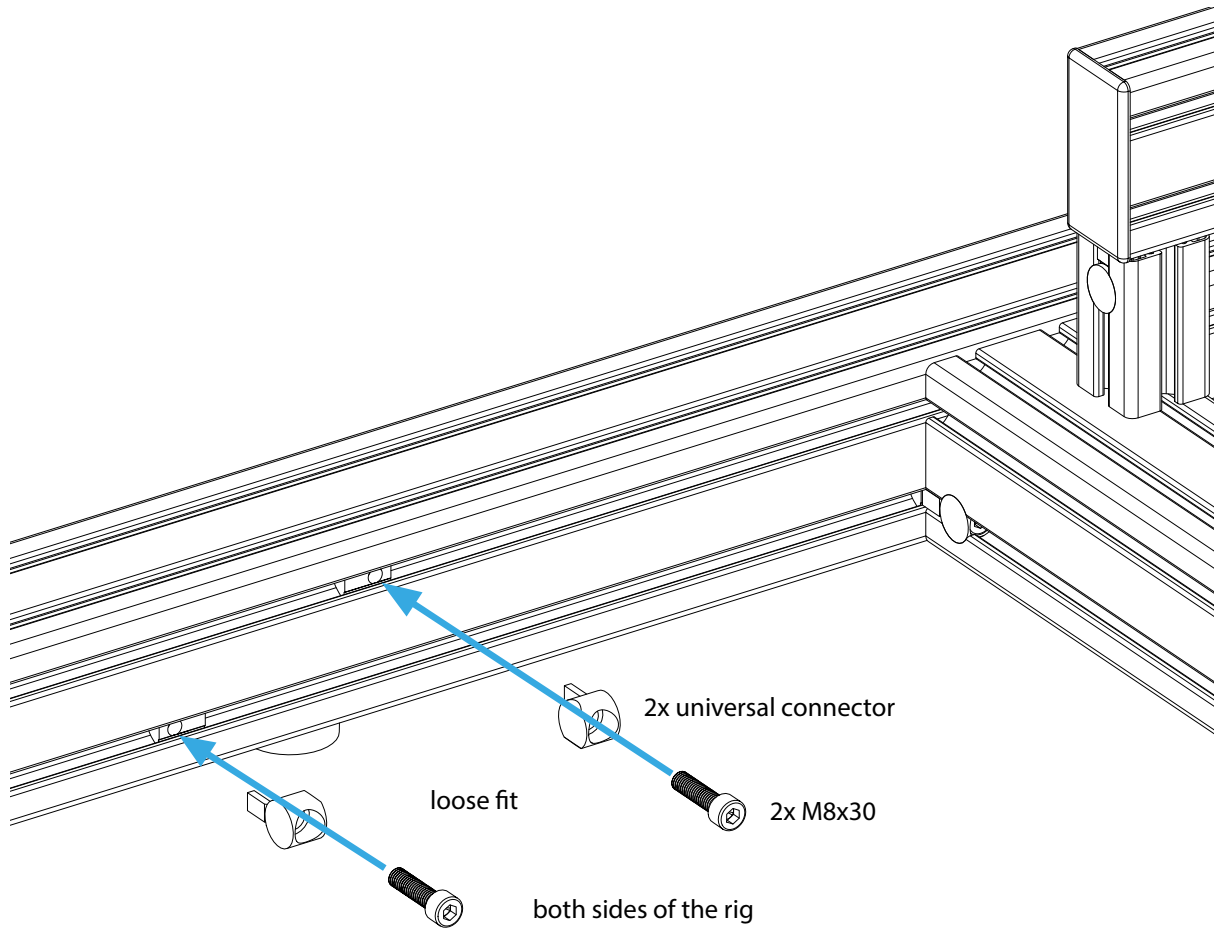
Prepare universal connectors (loose fit) and slide in the slots.

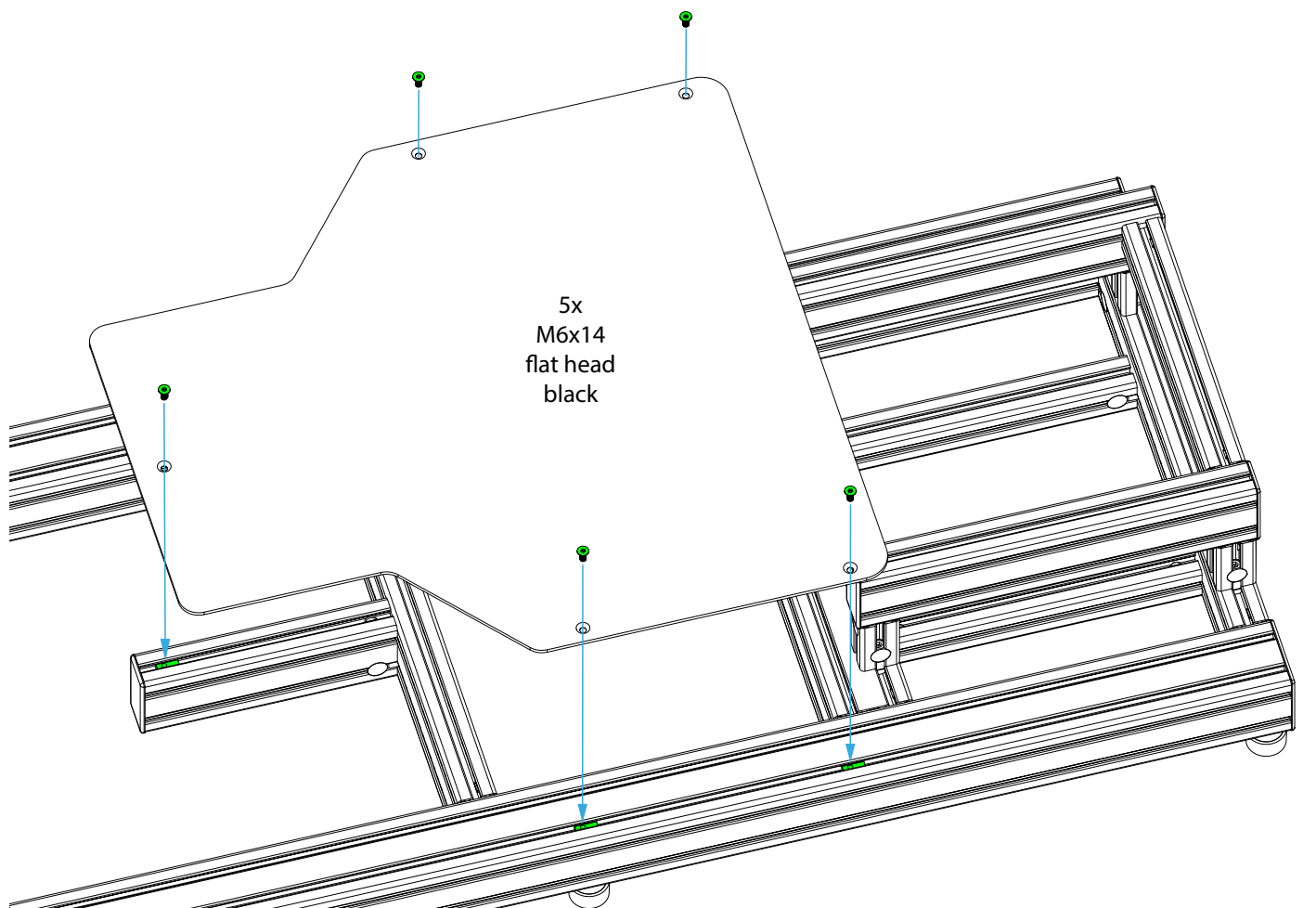
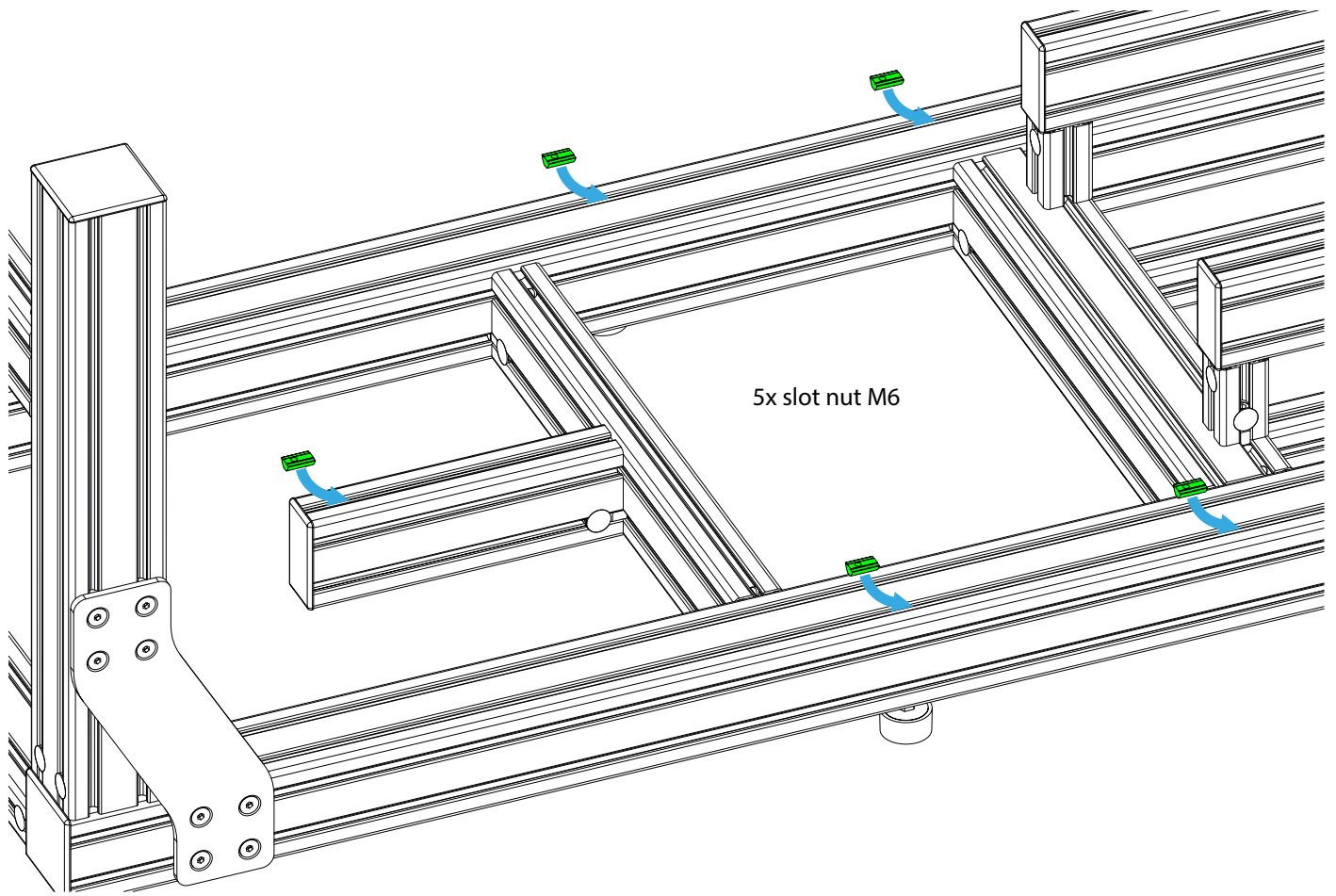




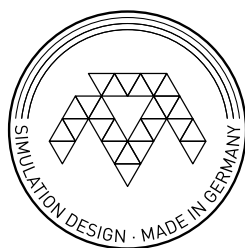
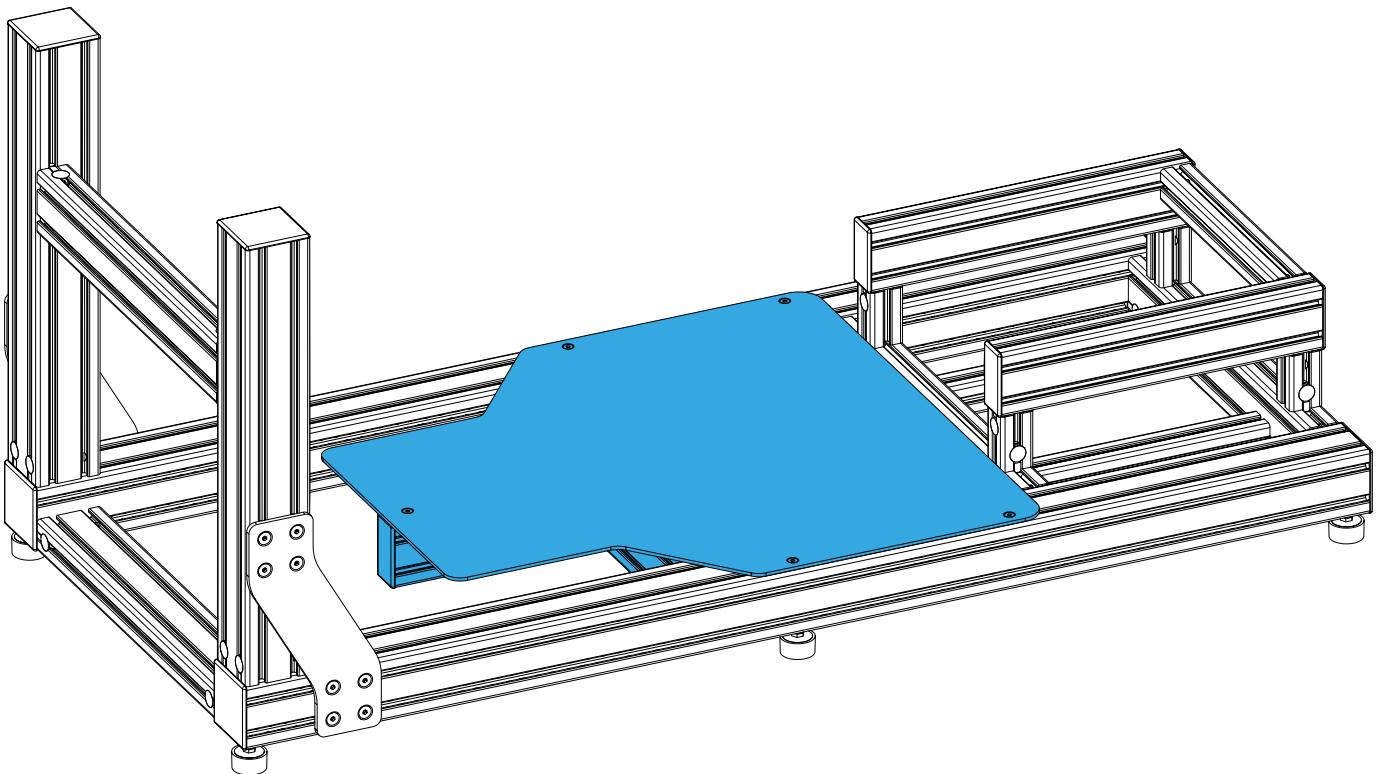
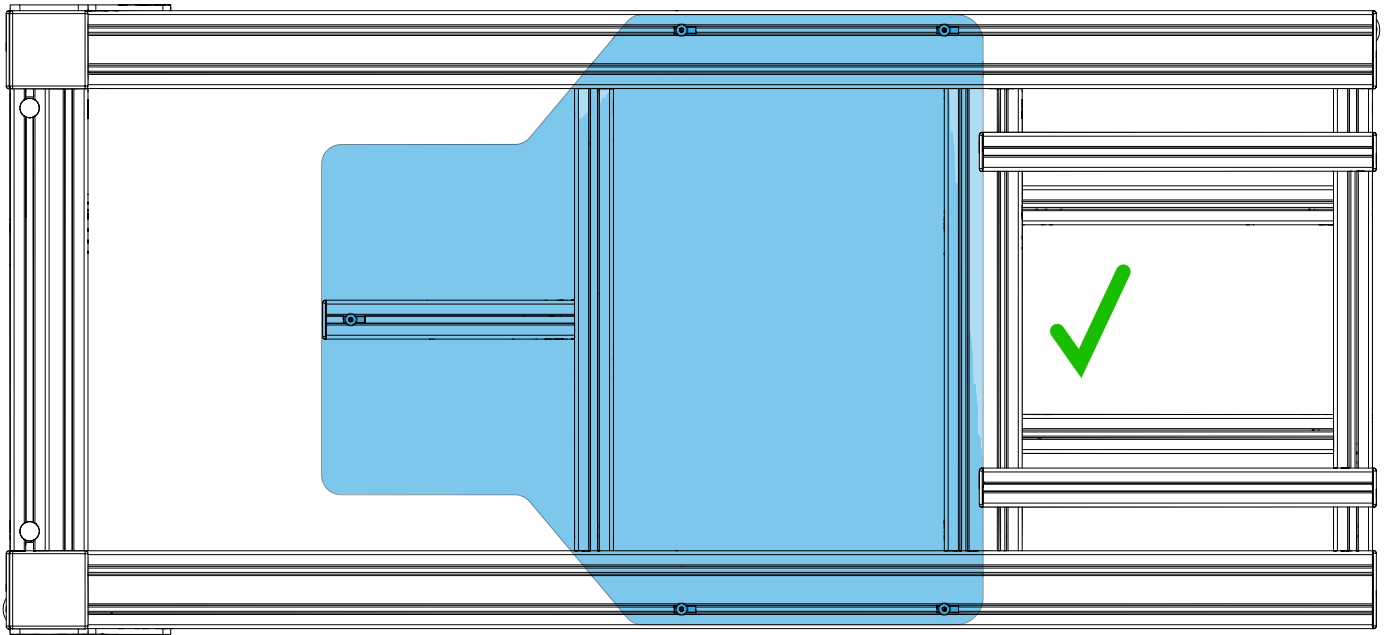
Detail







top view with transparent, colored plate



MONSTERTECH

08-12-2021