

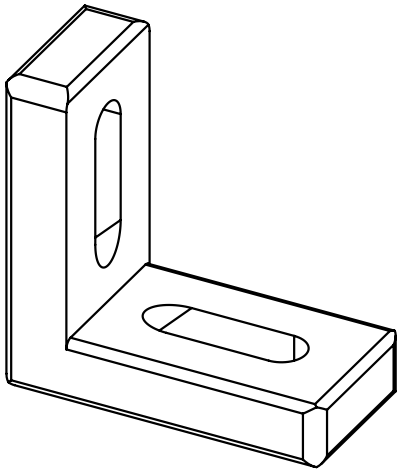
# MTS ALTERNATIVE PEDAL MOUNTING

Instruction Manual  
Bedienungsanleitung  
Mode d'emploi

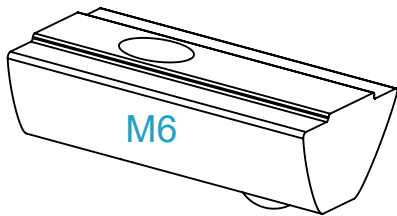
# PARTS

[dimensions in mm / different scales]  
No extra or spare parts listed!

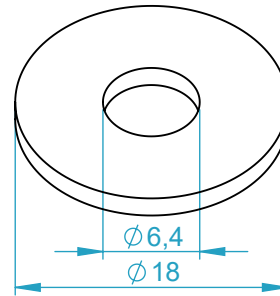
4x



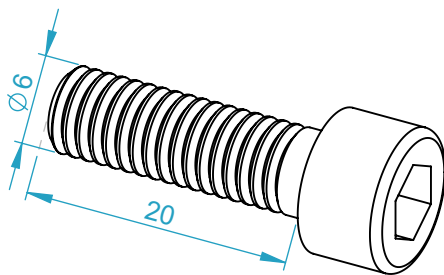
4x



4x

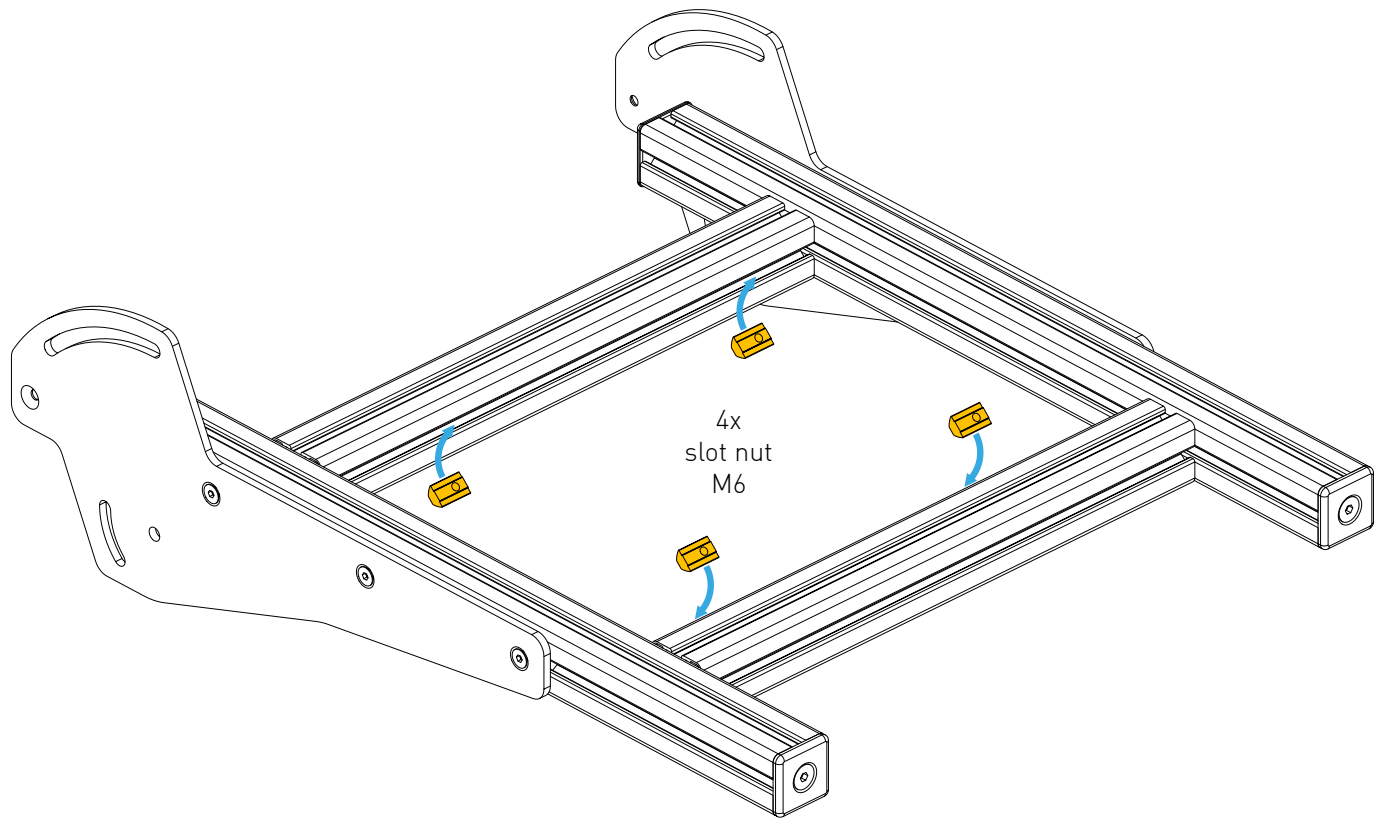


4x

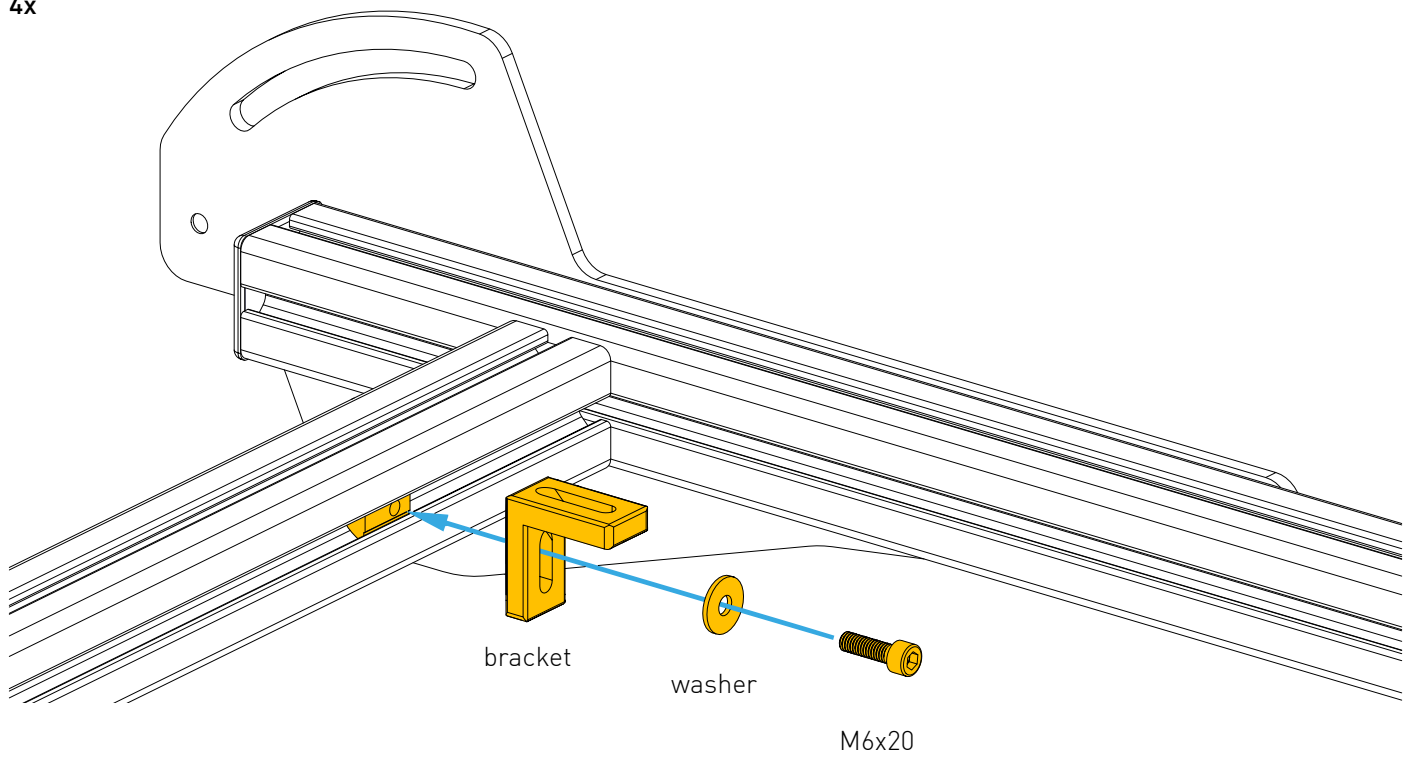


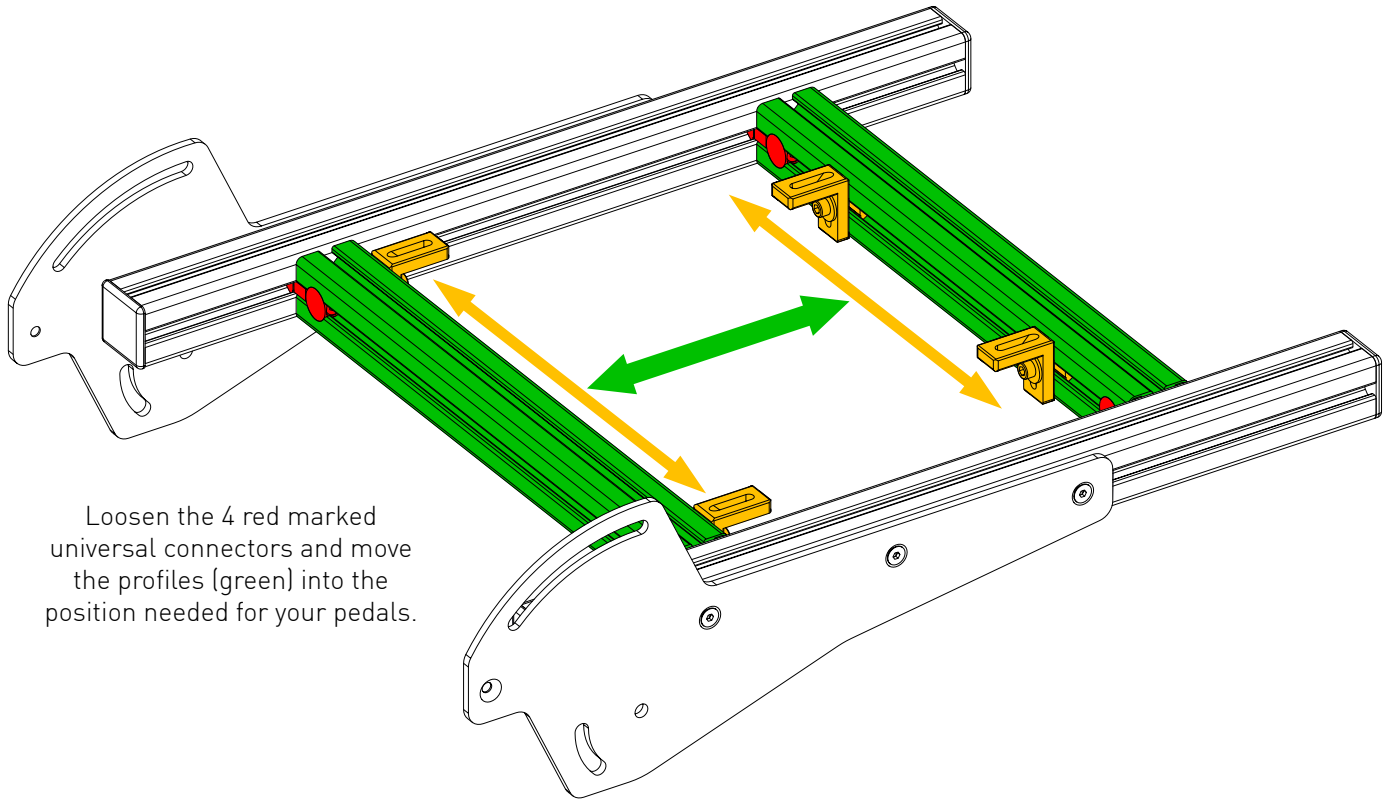
Plus various bolts, washers and nuts for mounting your pedals.

# ASSEMBLY



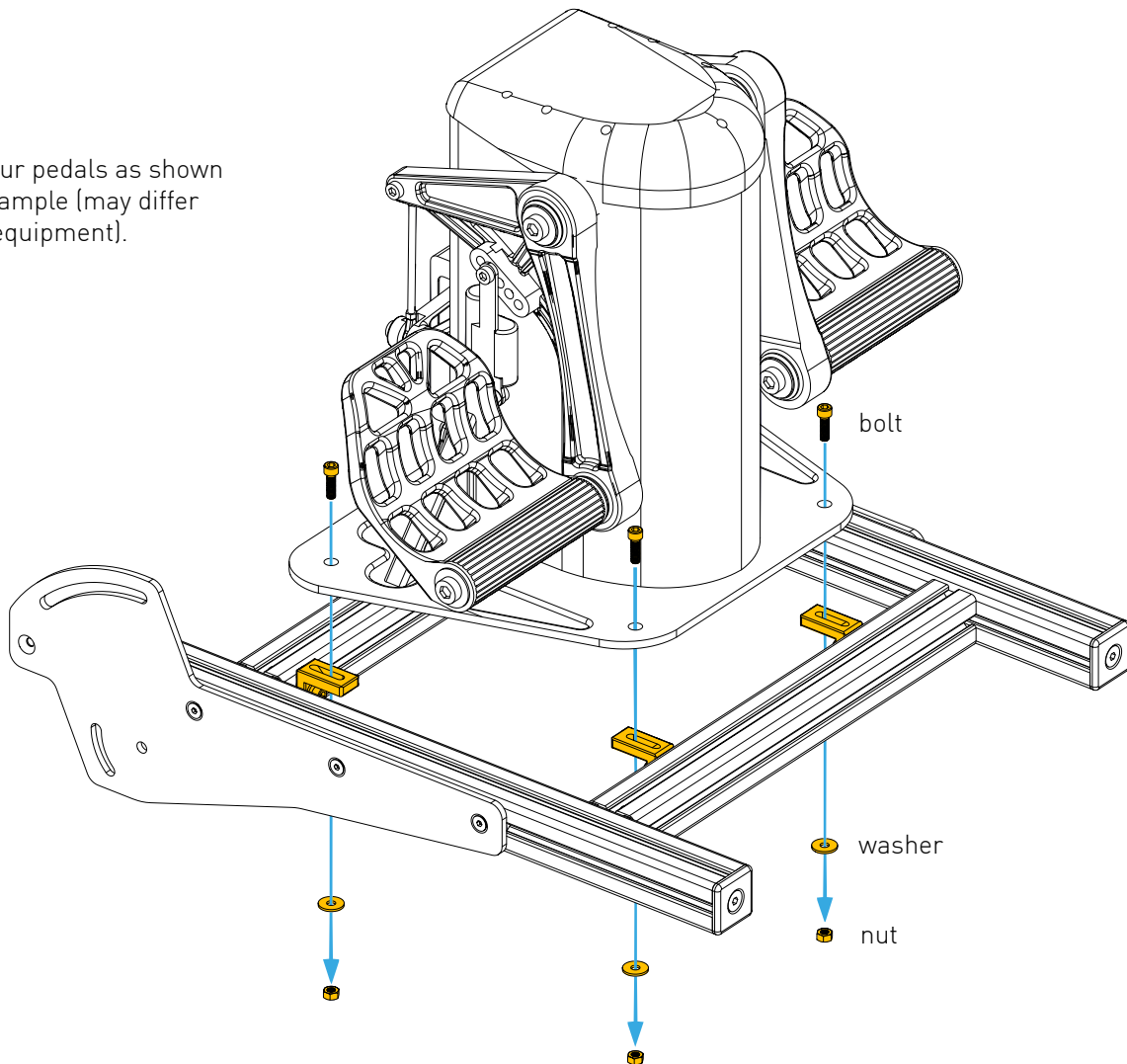
4x

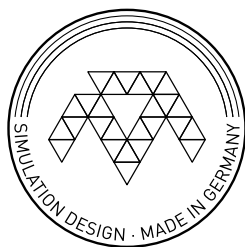




Loosen the 4 red marked universal connectors and move the profiles (green) into the position needed for your pedals.

Mount your pedals as shown in this example (may differ for your equipment).





12-08-2022