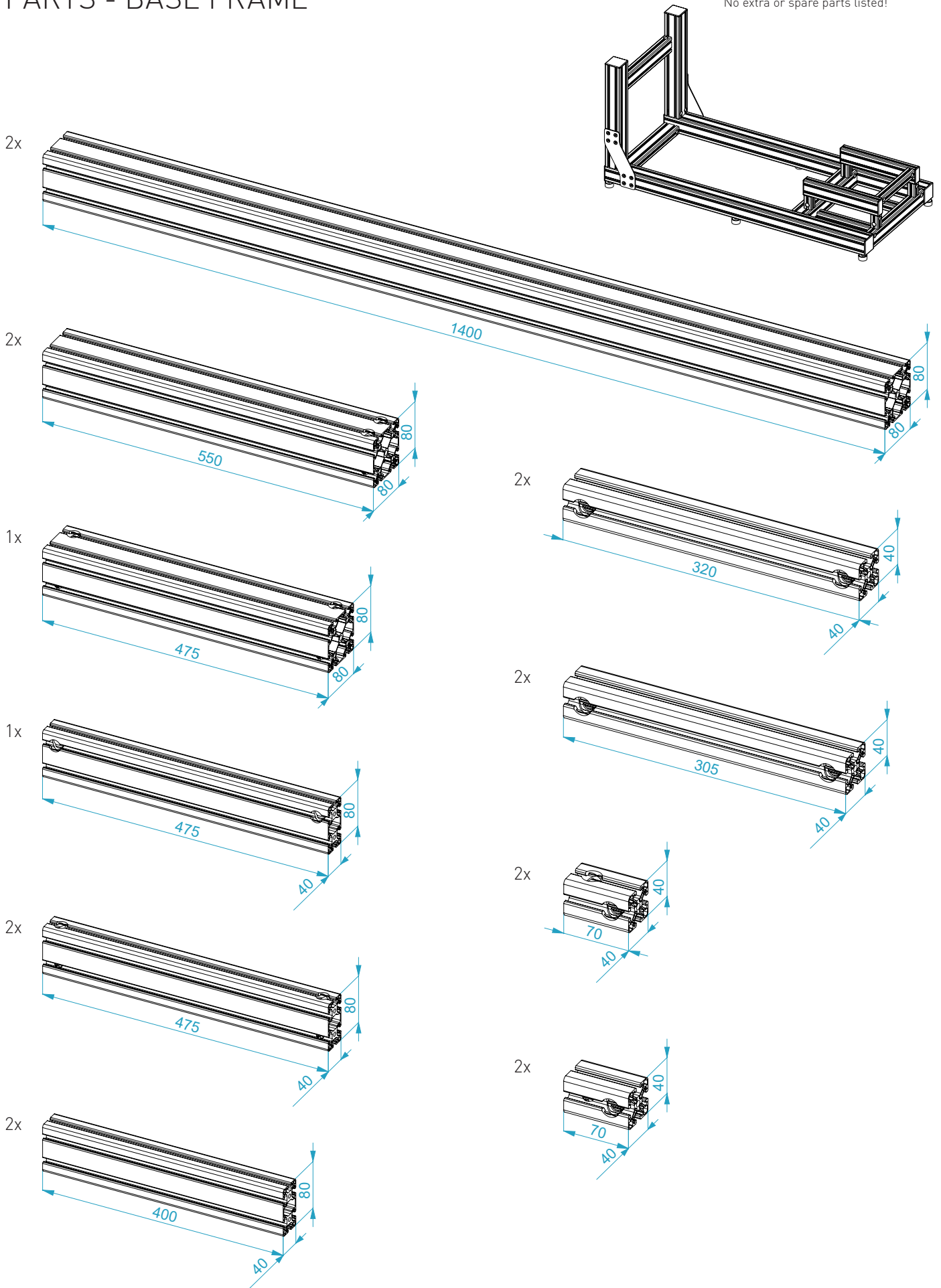


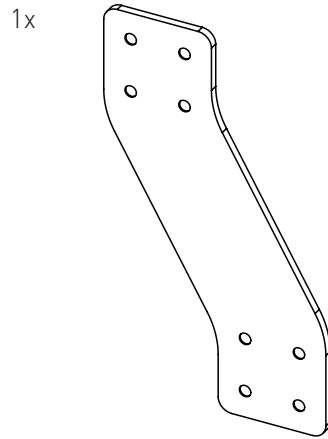
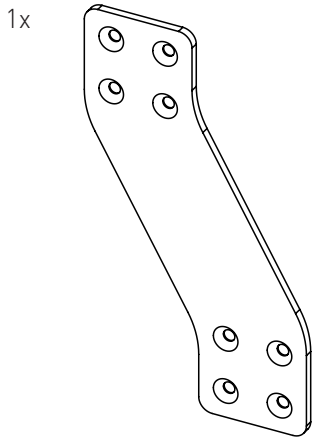
## MTS BASE FRAME

Instruction Manual  
Bedienungsanleitung  
Mode d'emploi

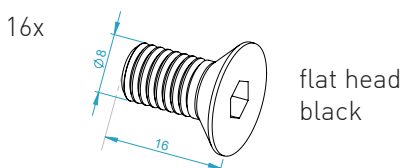
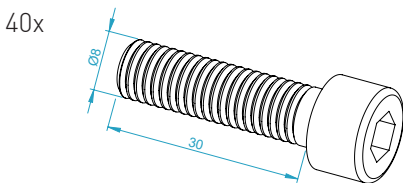
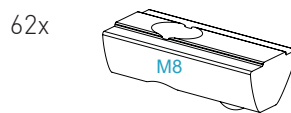
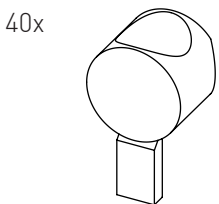
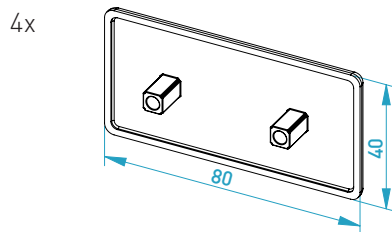
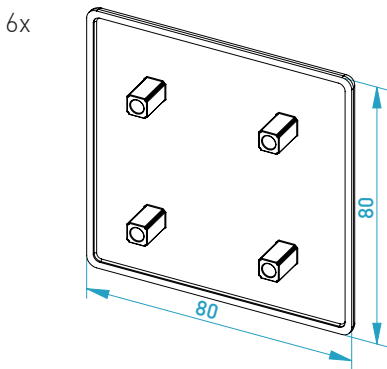
# PARTS - BASE FRAME

[dimensions in mm / different scales]  
No extra or spare parts listed!



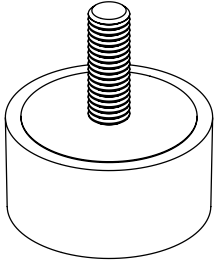


### BAG 1

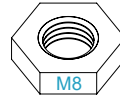


# BAG 2 (feet)

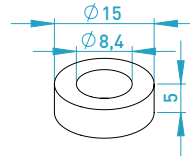
6x



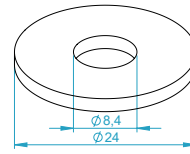
6x



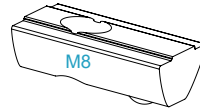
6x



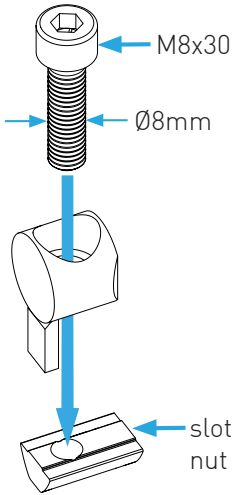
6x



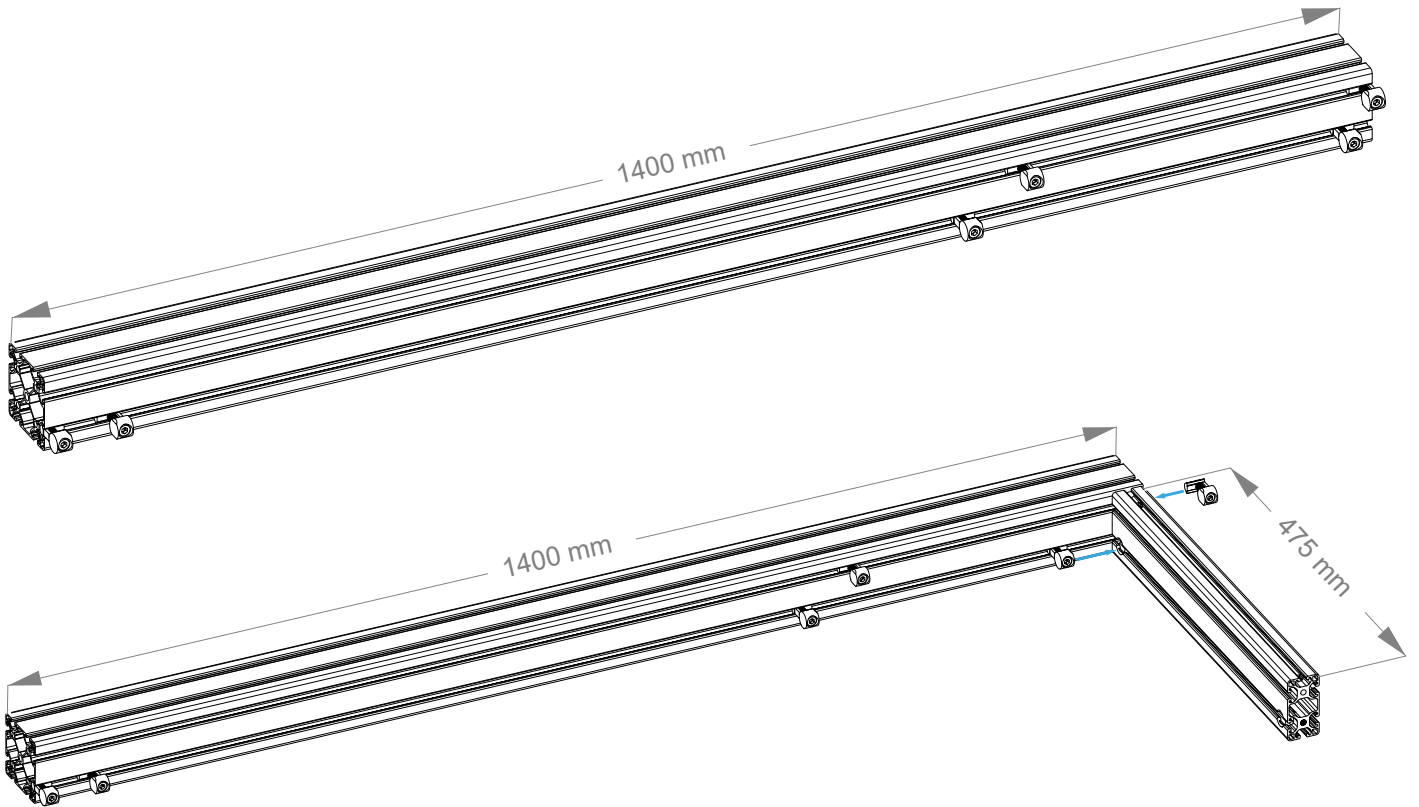
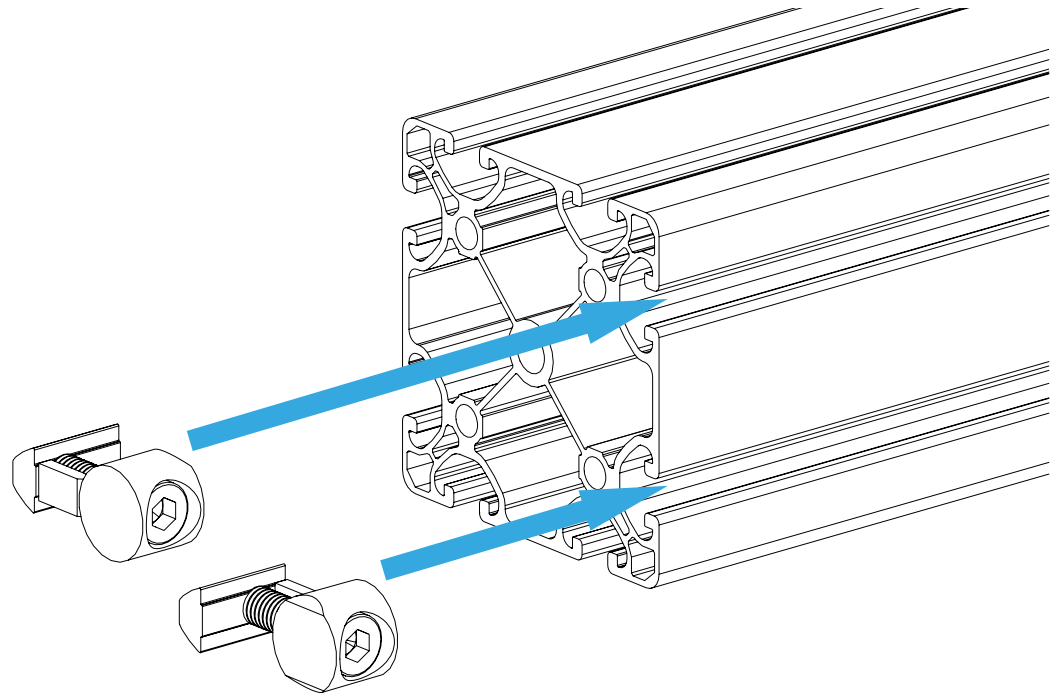
6x



# ASSEMBLY



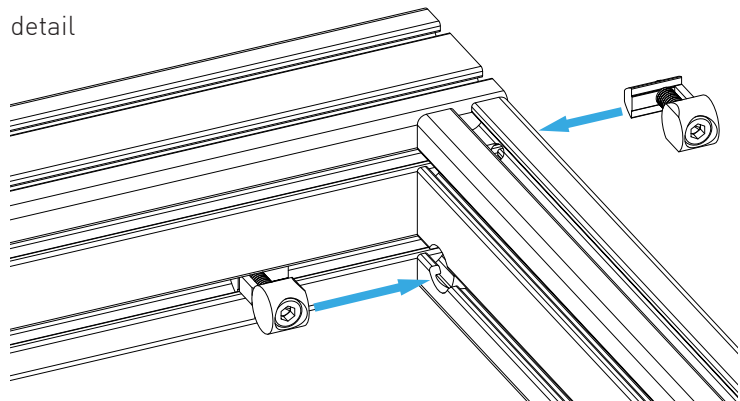
Prepare universal connectors (loose fit) and slide in paired.

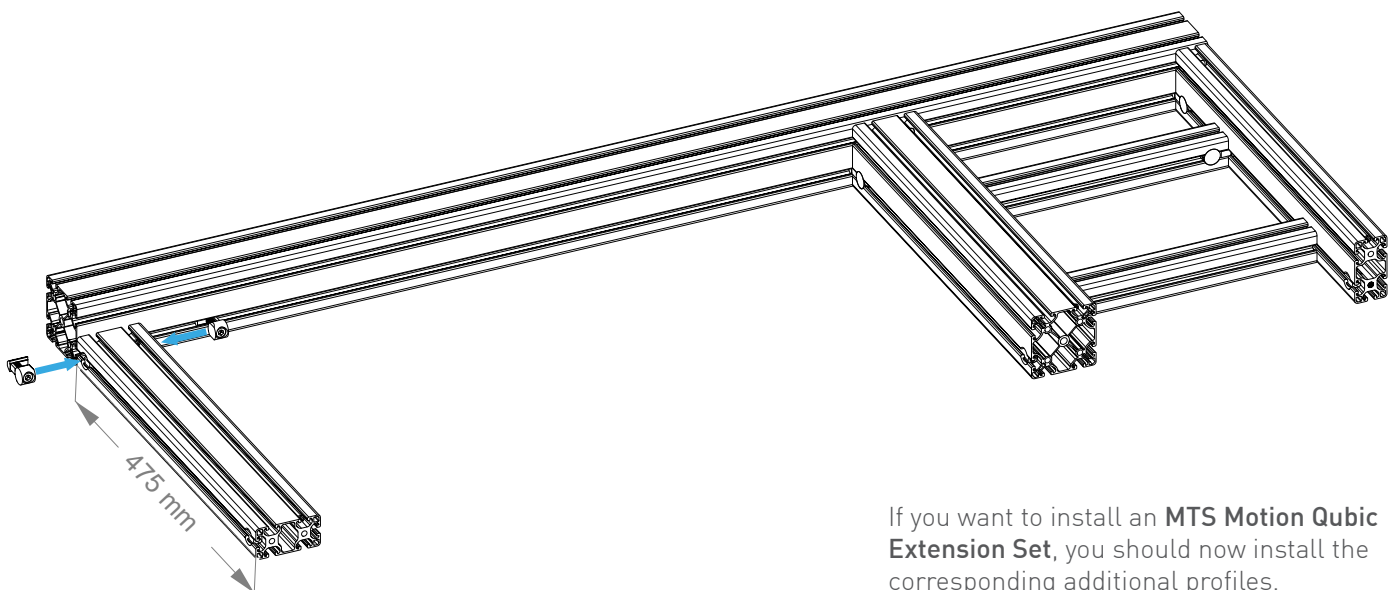
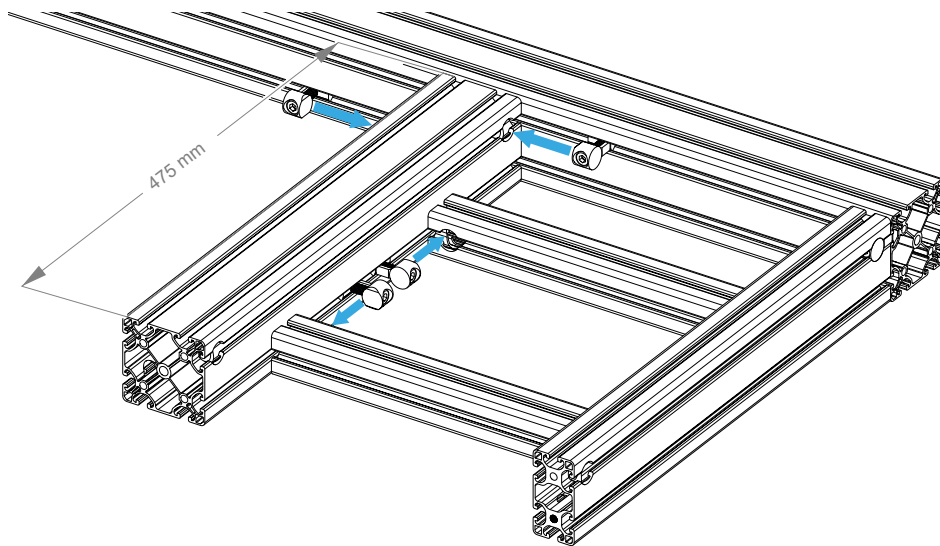
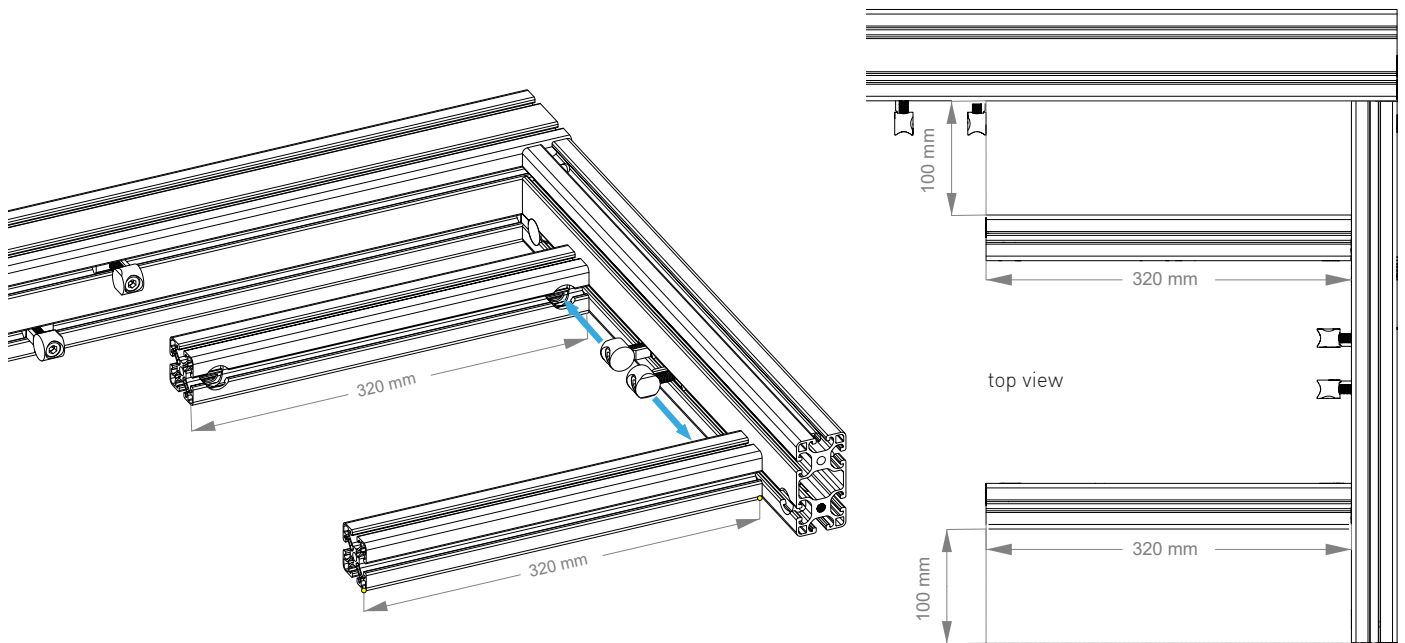


detail

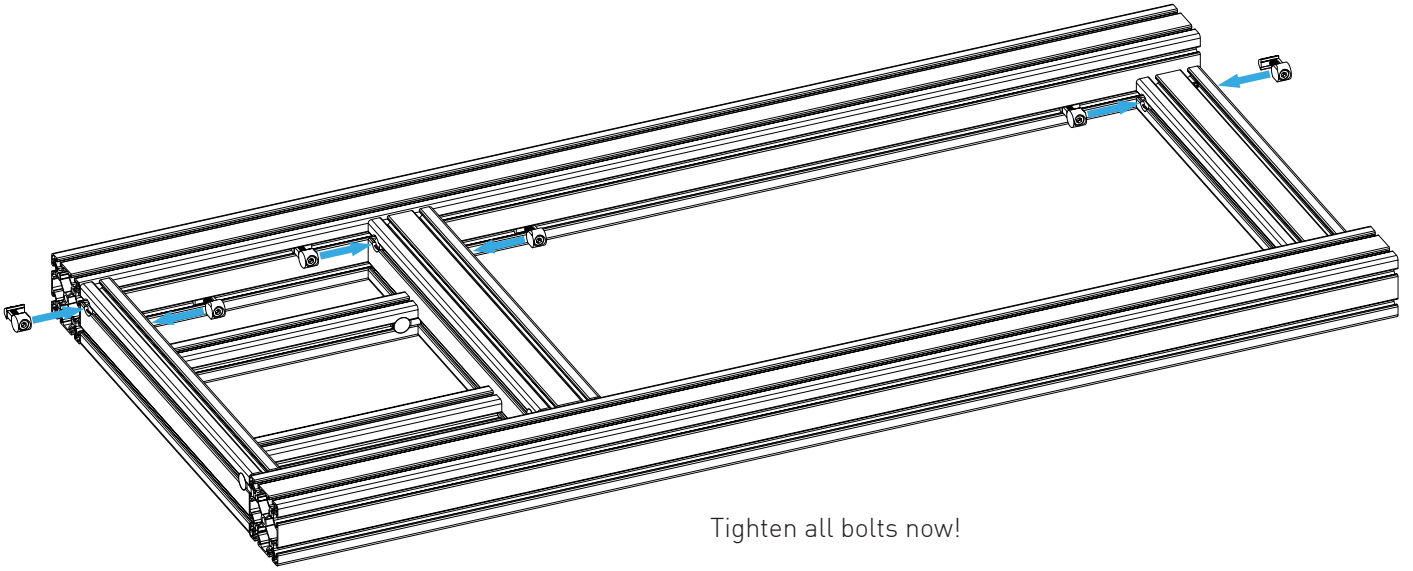
Use a plan surface for assembly.

Tighten slightly until ALL profiles are placed.

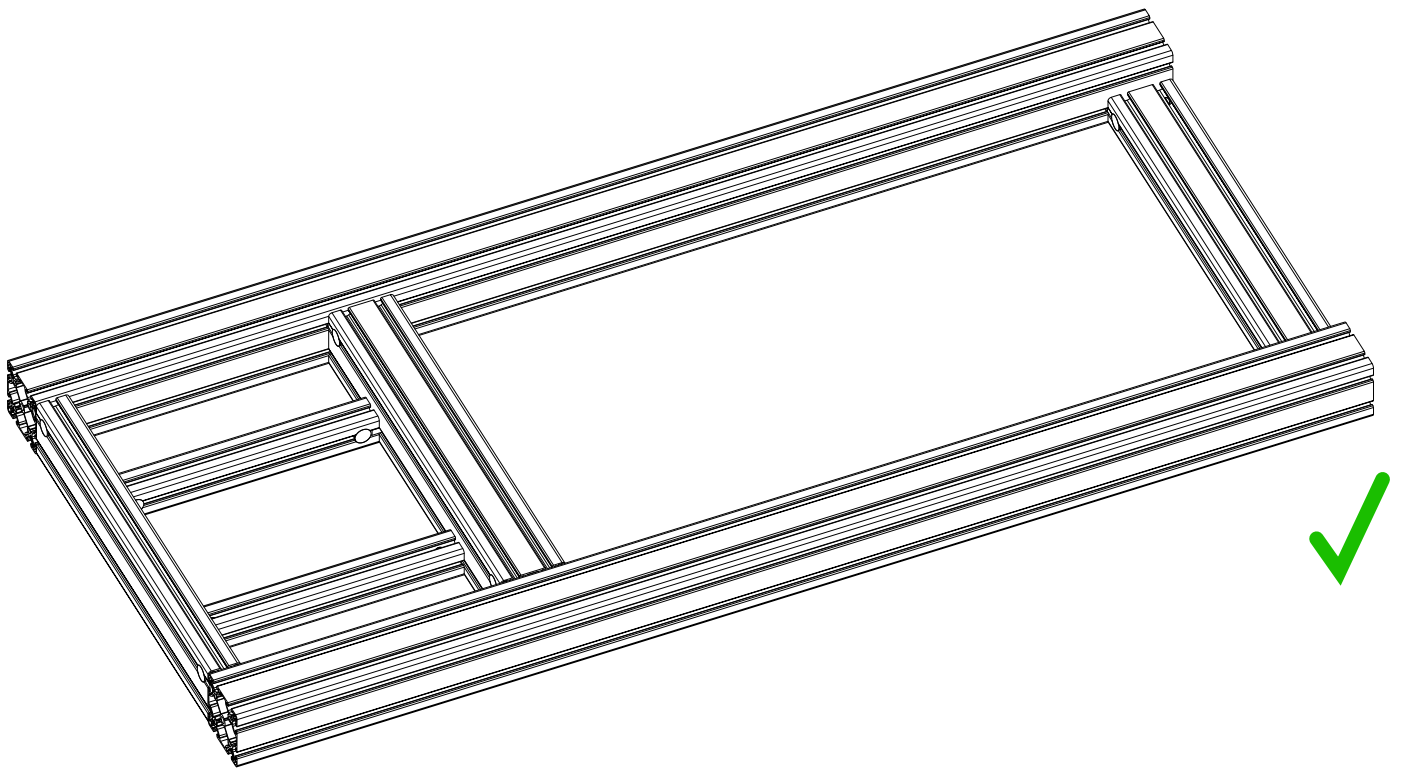




If you want to install an **MTS Motion Qubic Extension Set**, you should now install the corresponding additional profiles.

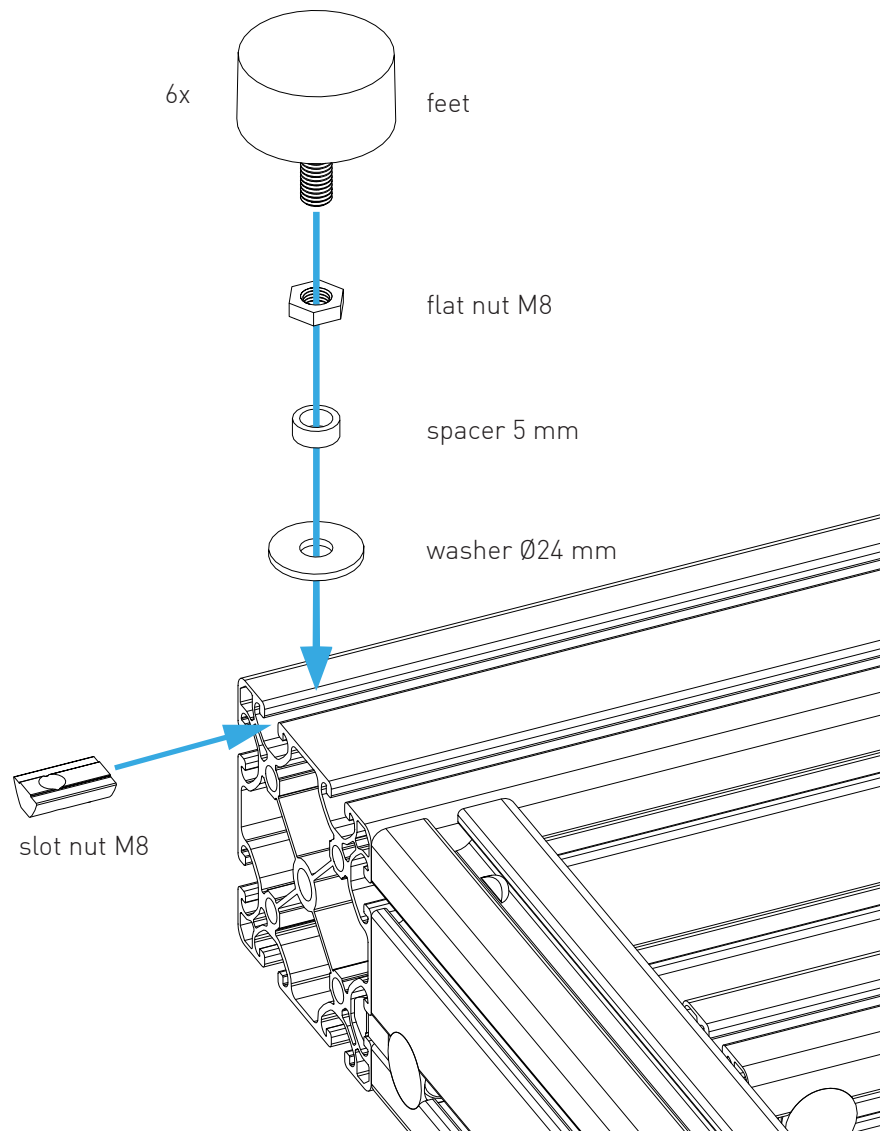
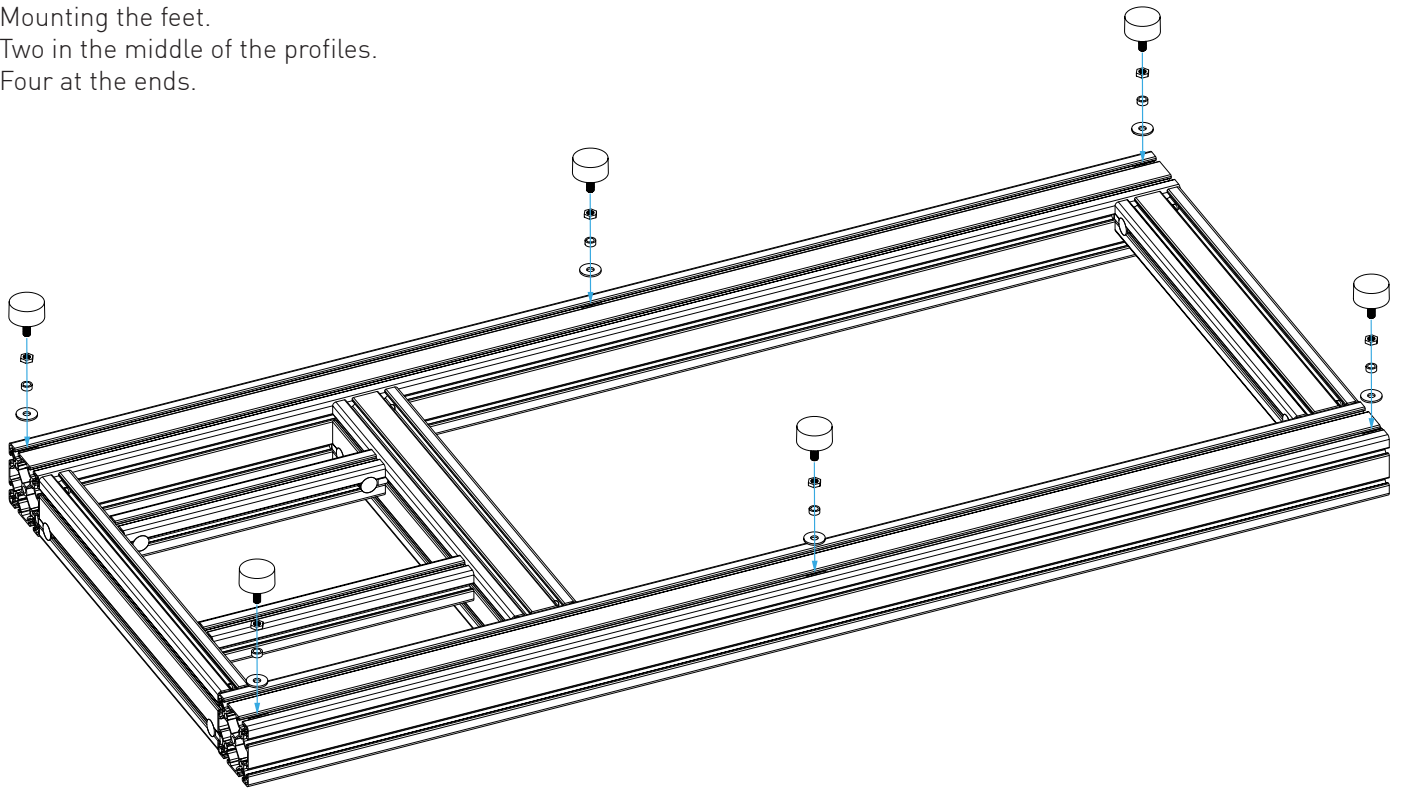


Tighten all bolts now!

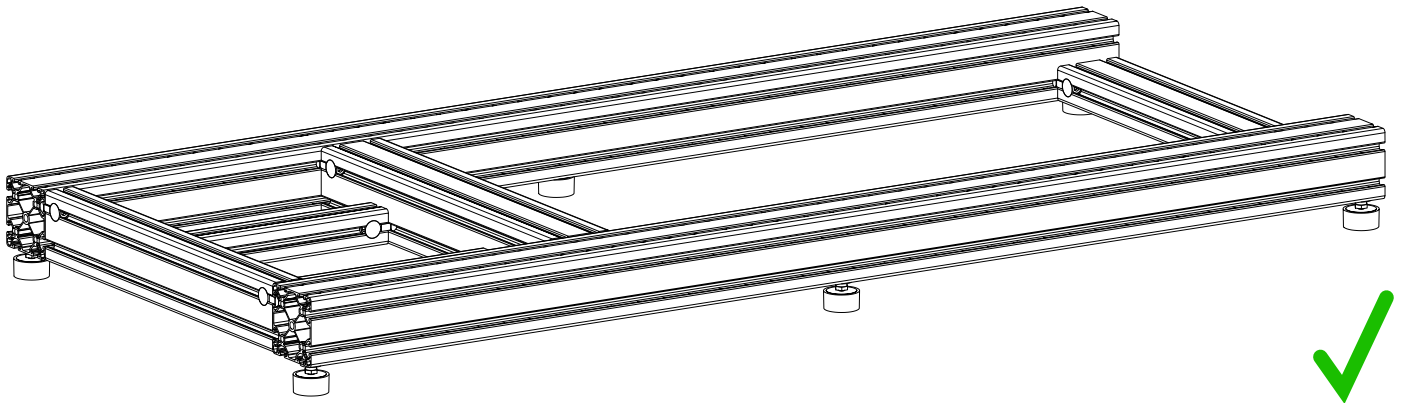
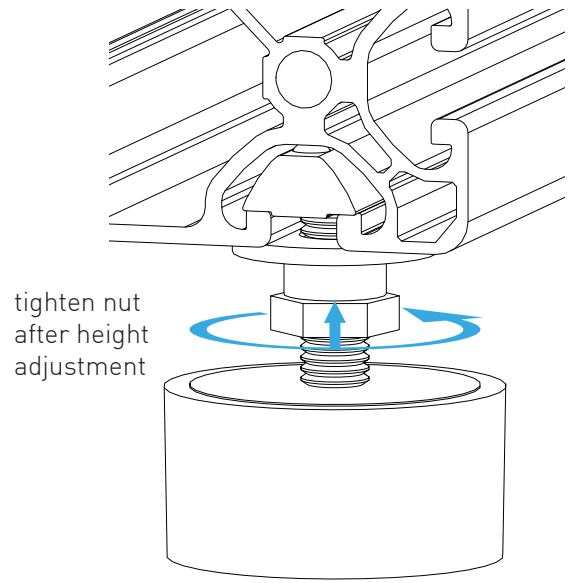
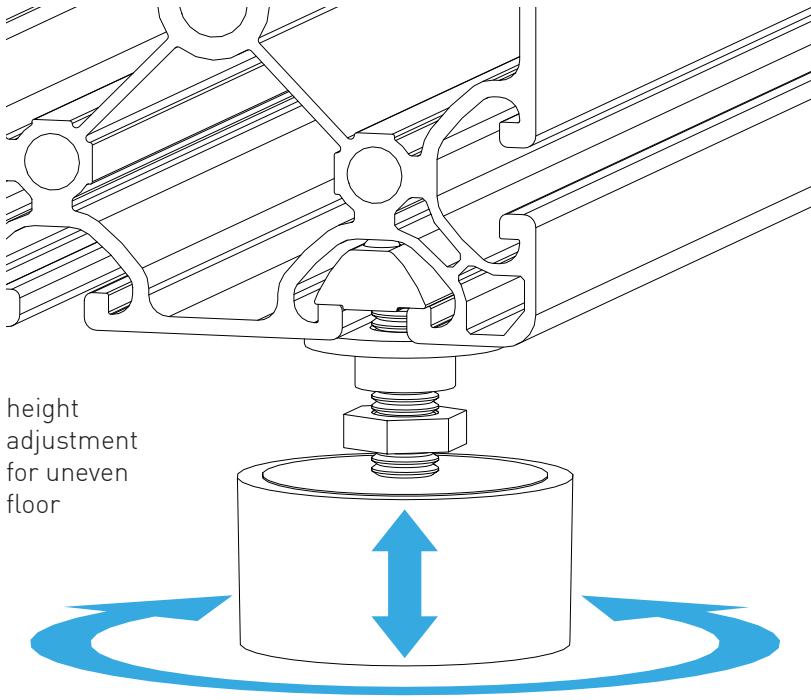




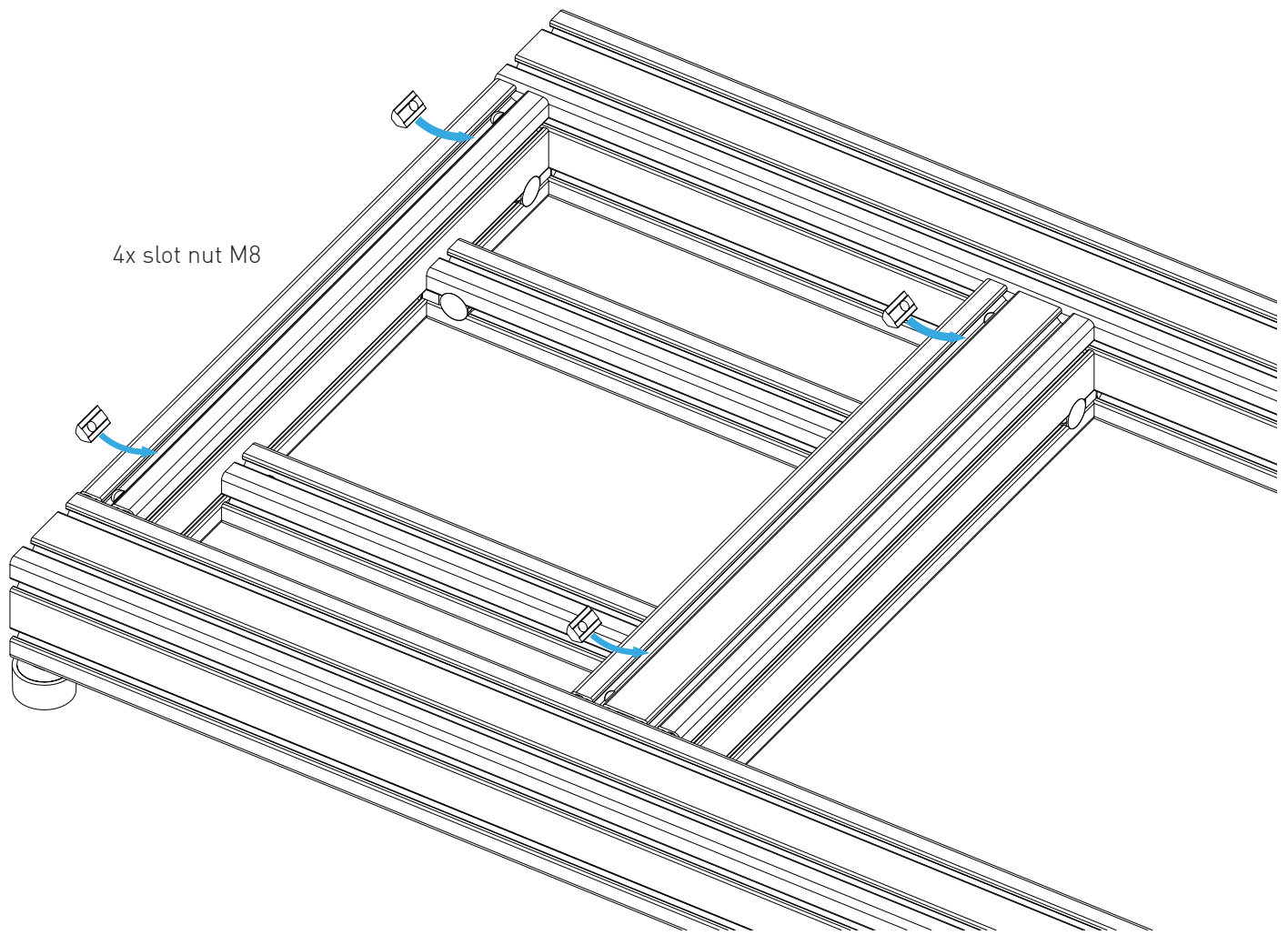
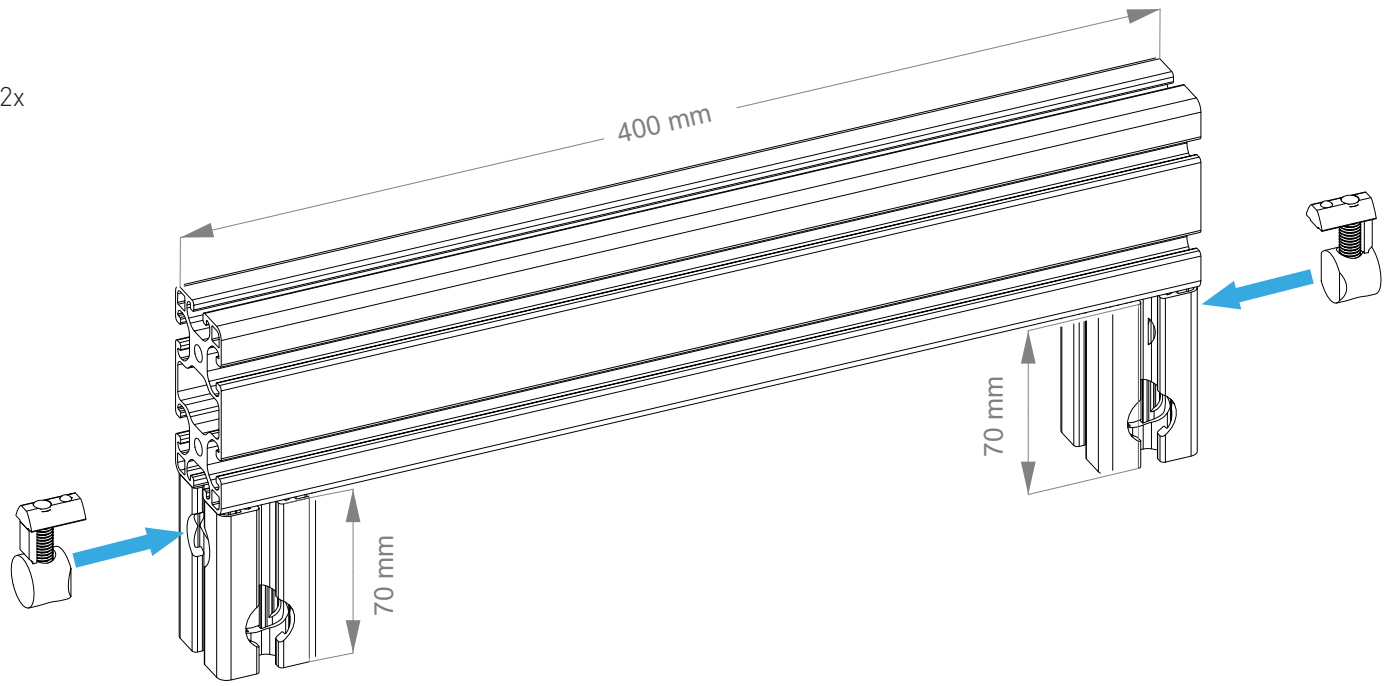
Mounting the feet.  
Two in the middle of the profiles.  
Four at the ends.



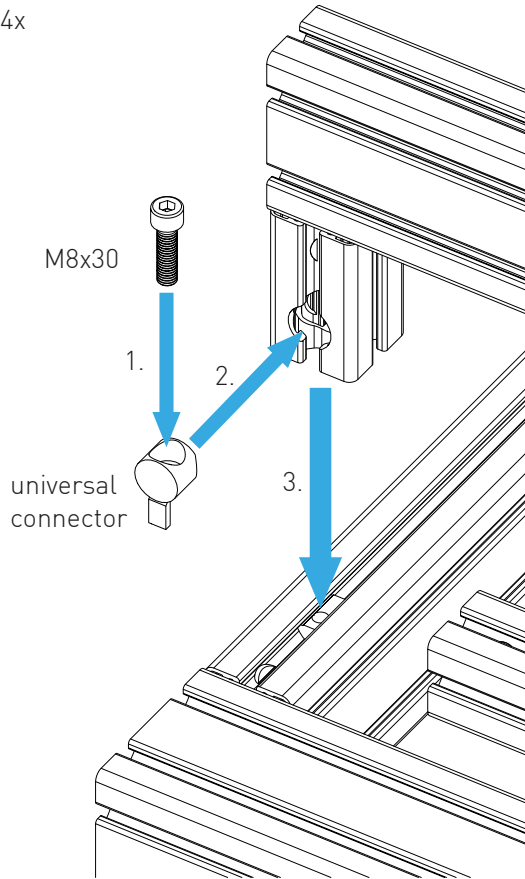




2x



4x



M8x30

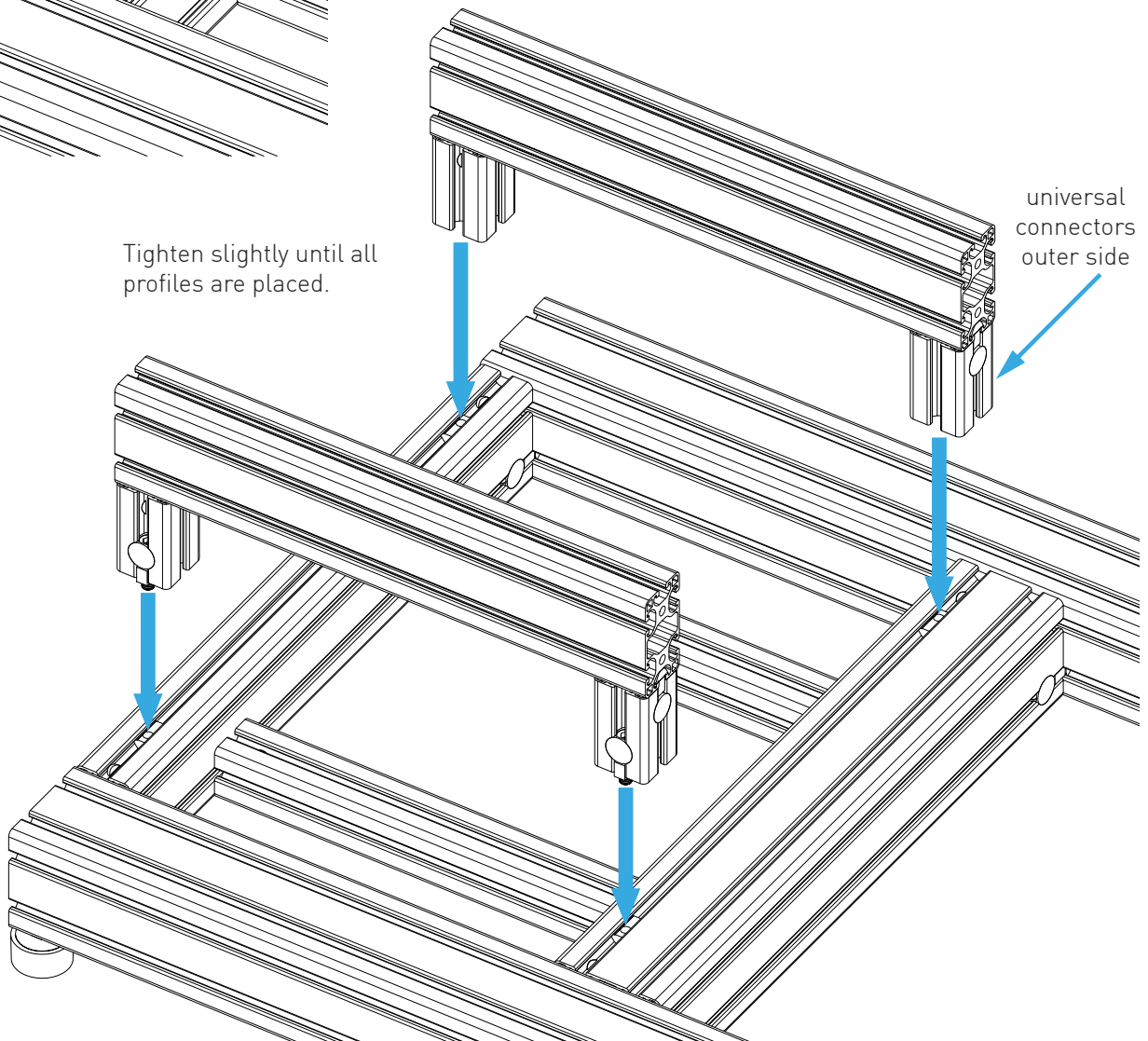
universal connector

1.

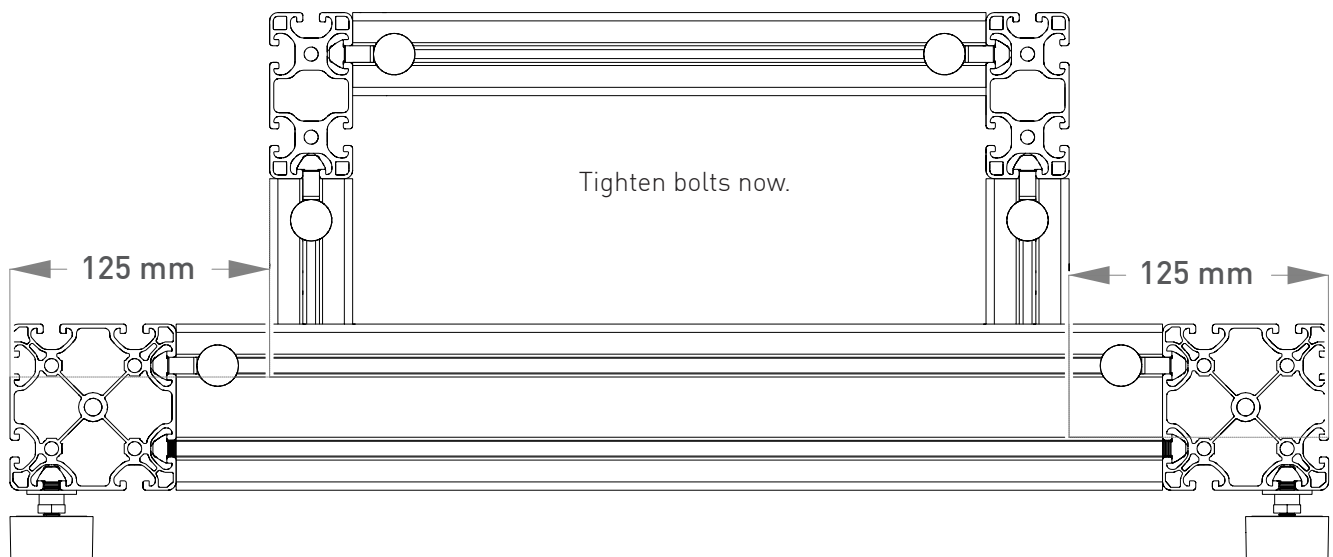
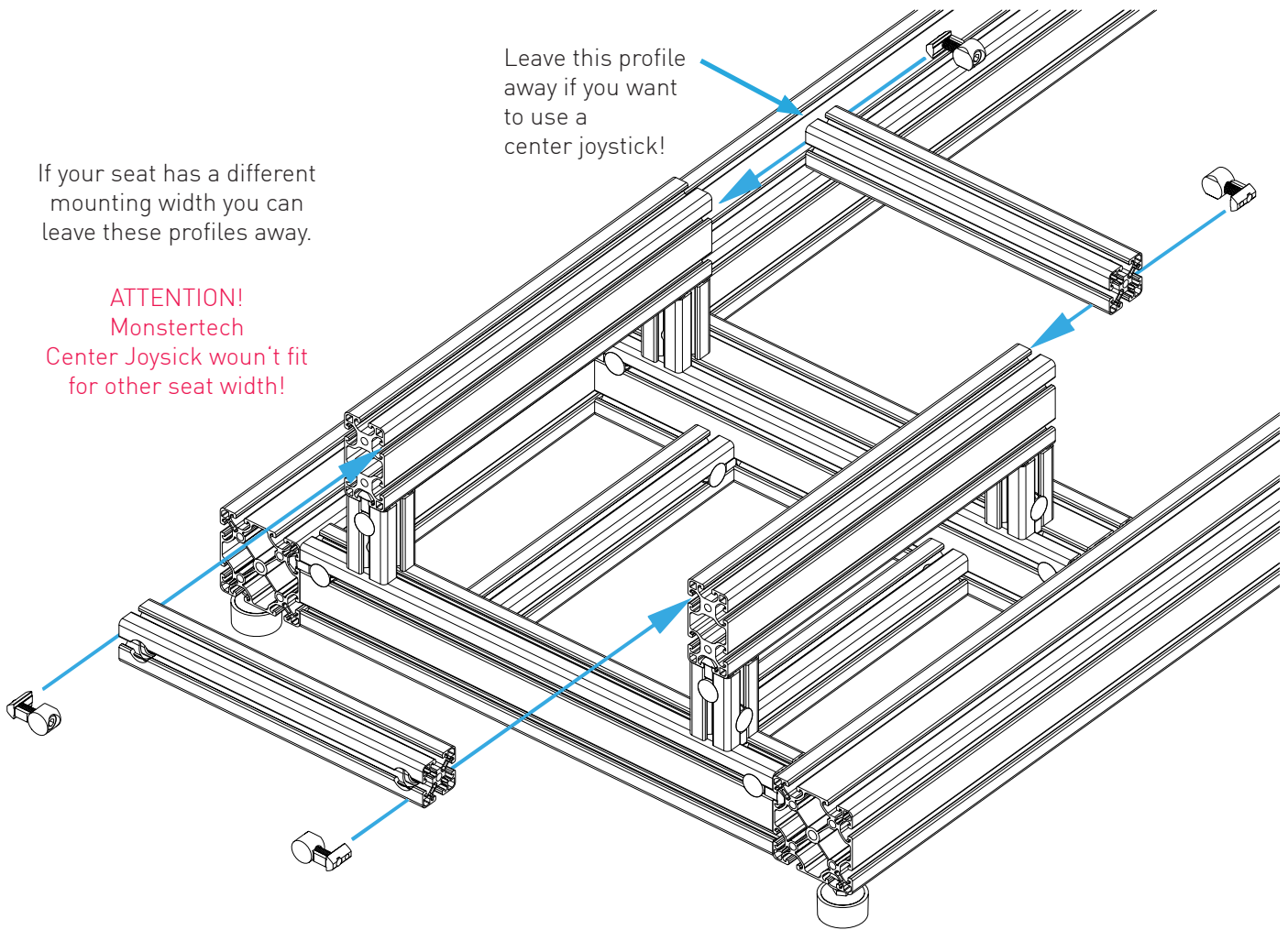
2.

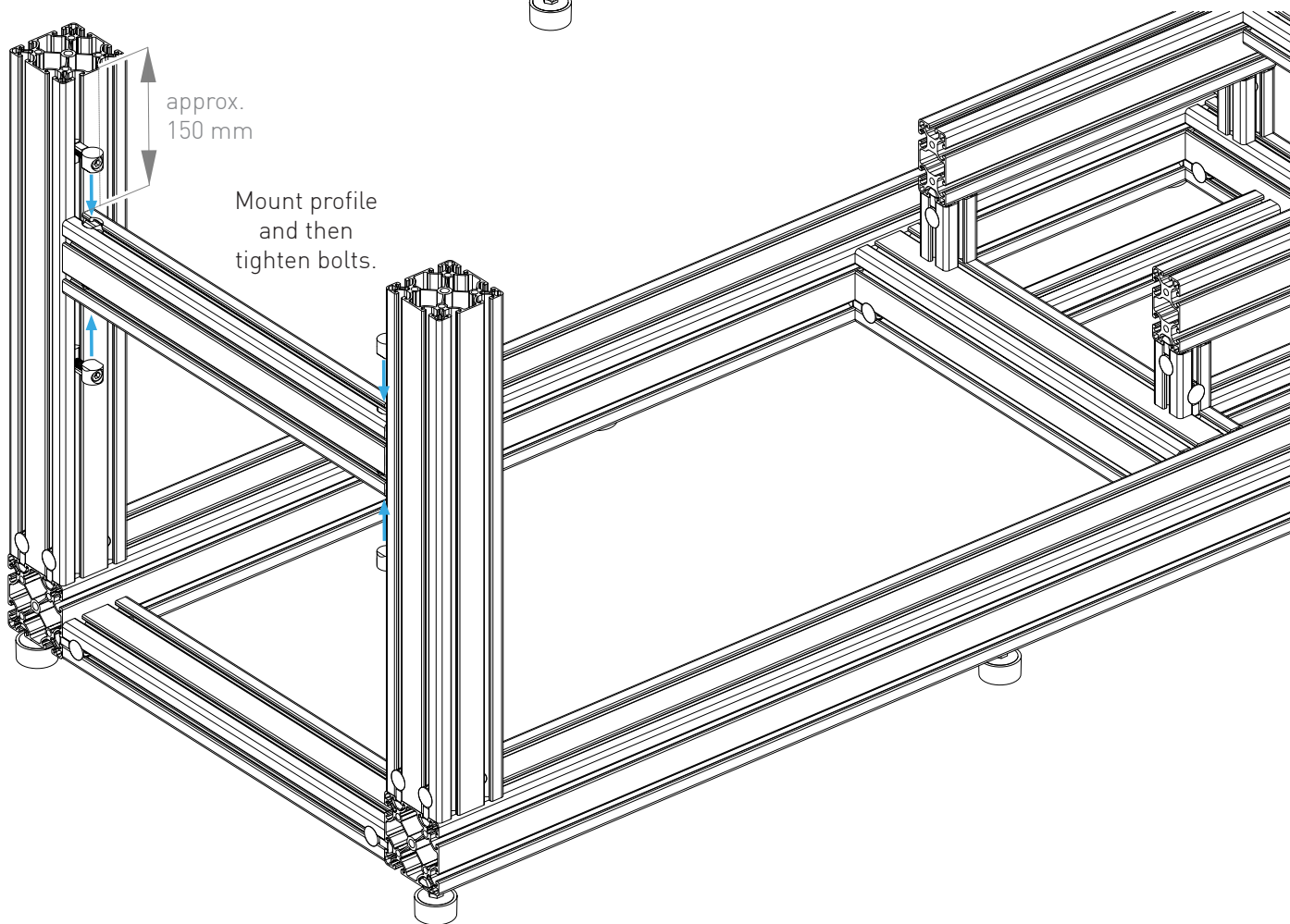
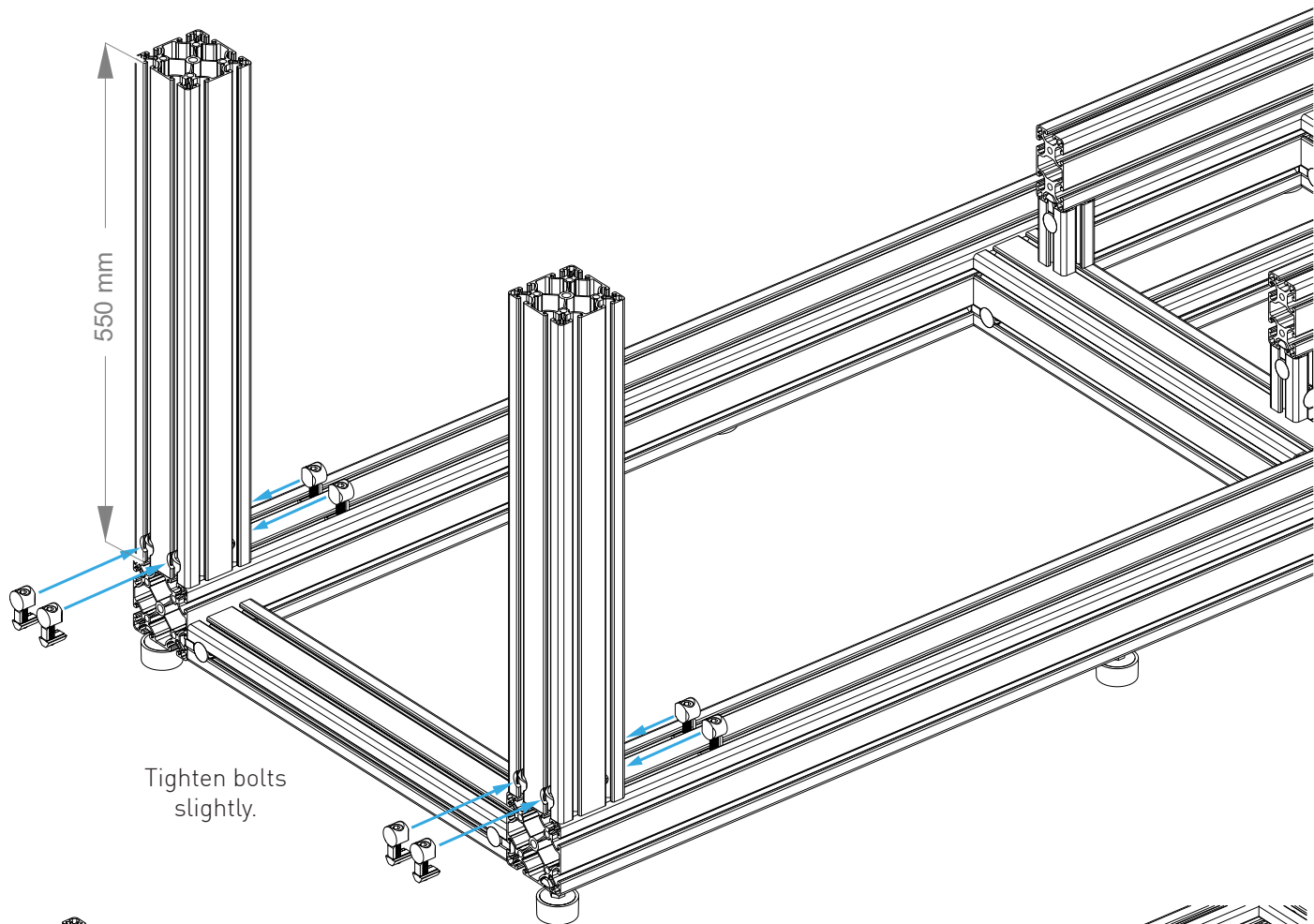
3.

Tighten slightly until all profiles are placed.

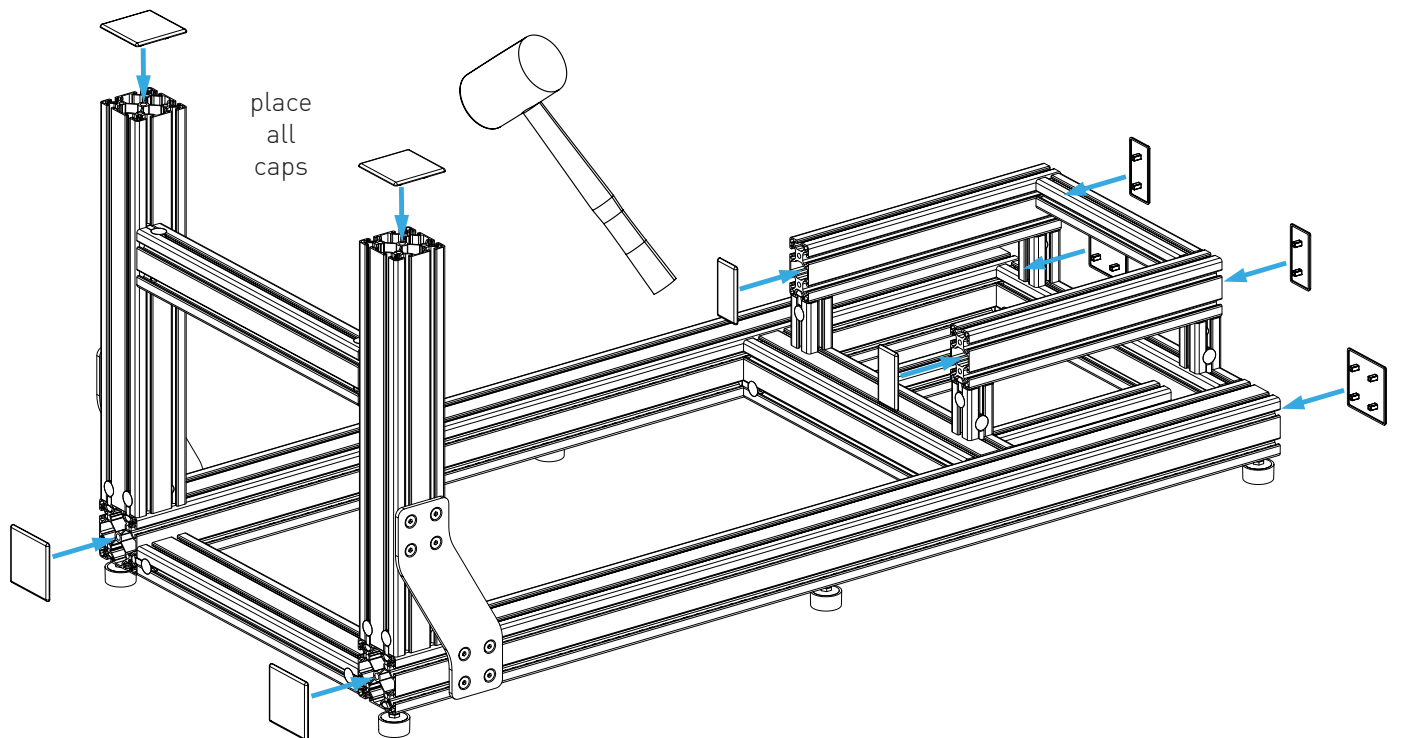
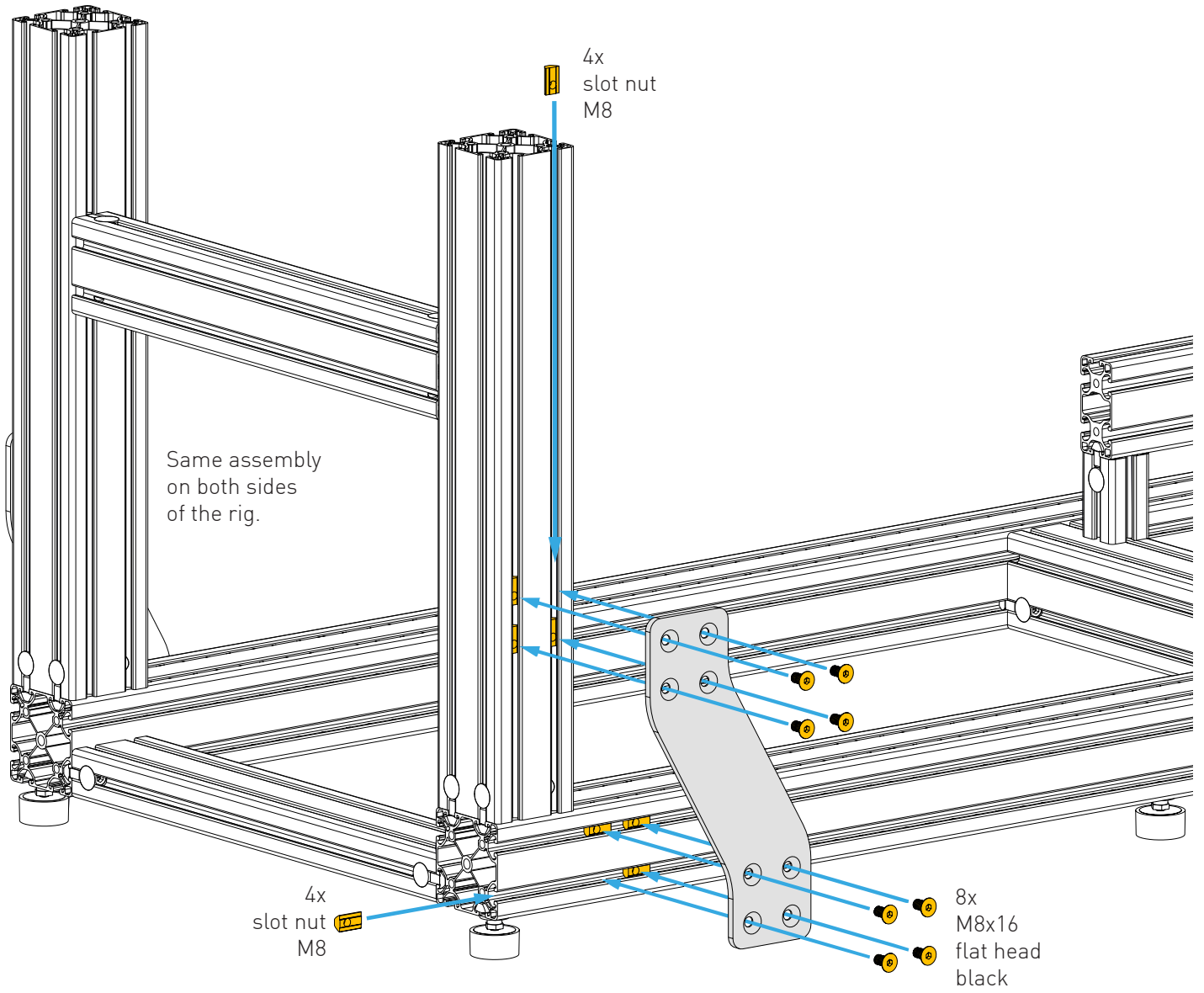


universal connectors outer side



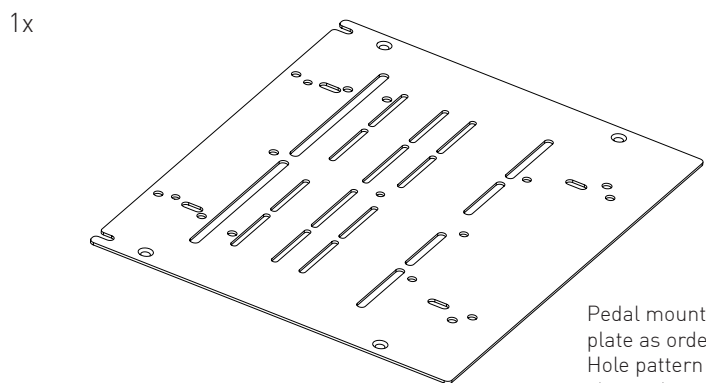
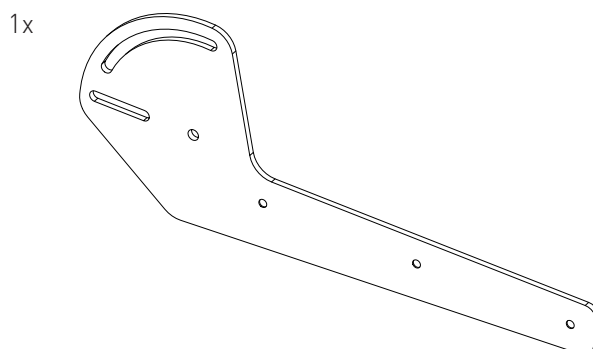
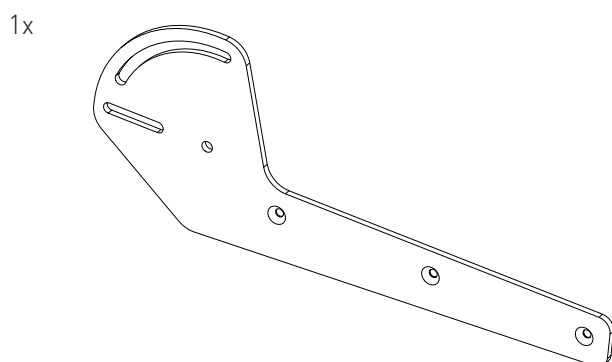
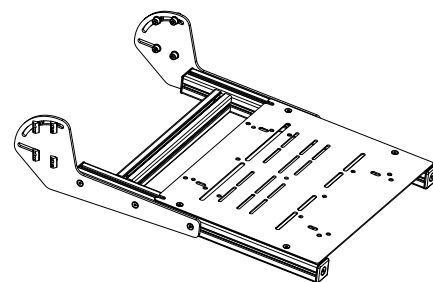
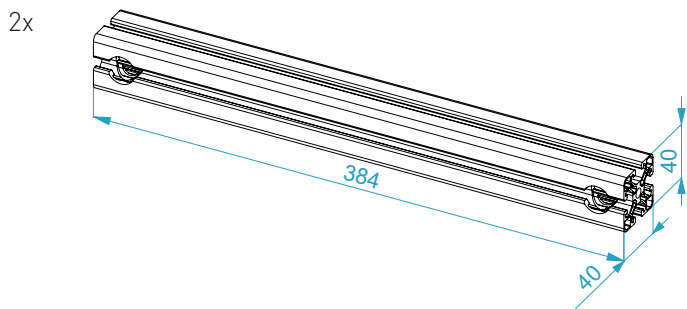
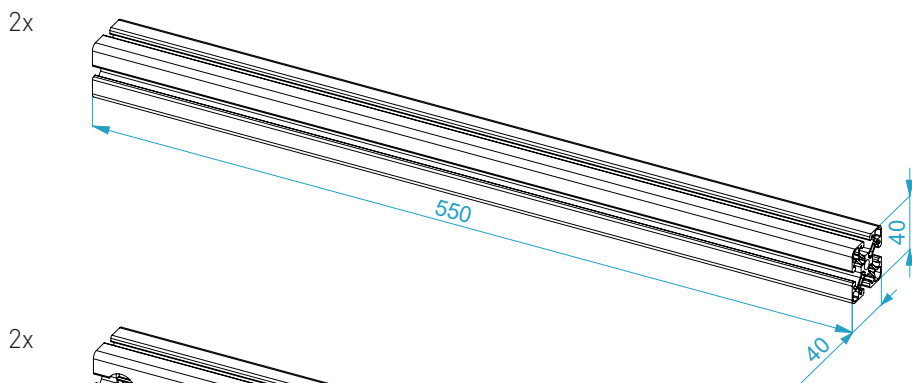






# PARTS - PEDALS / RUDDER

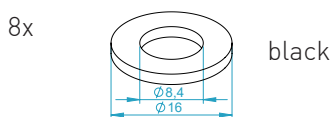
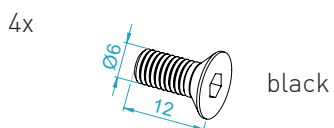
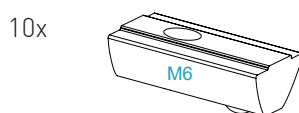
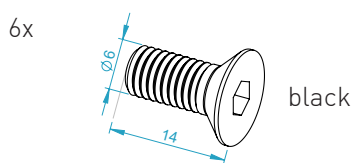
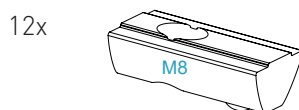
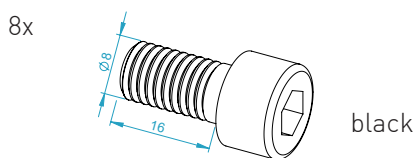
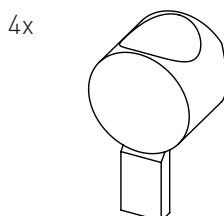
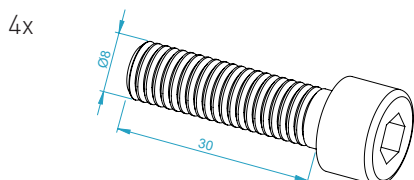
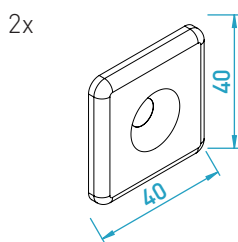
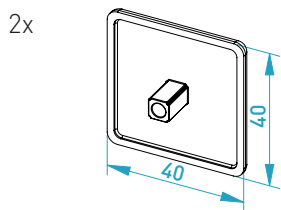
[dimensions in mm / different scales]  
No extra or spare parts listed!



Pedal mounting  
plate as ordered.  
Hole pattern could  
change by updates



## BAG 3 (pedals / rudder)



## BAG 4

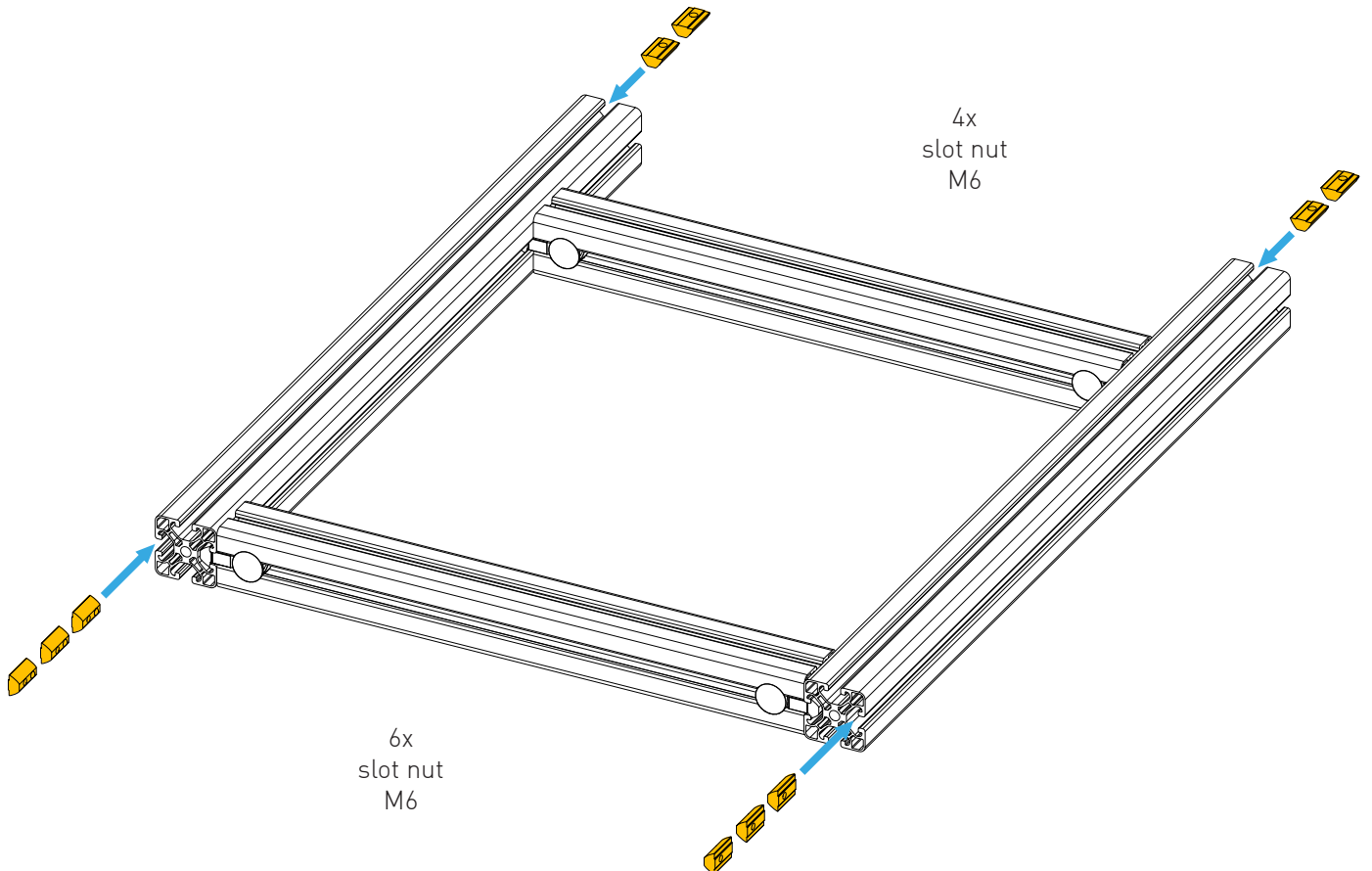
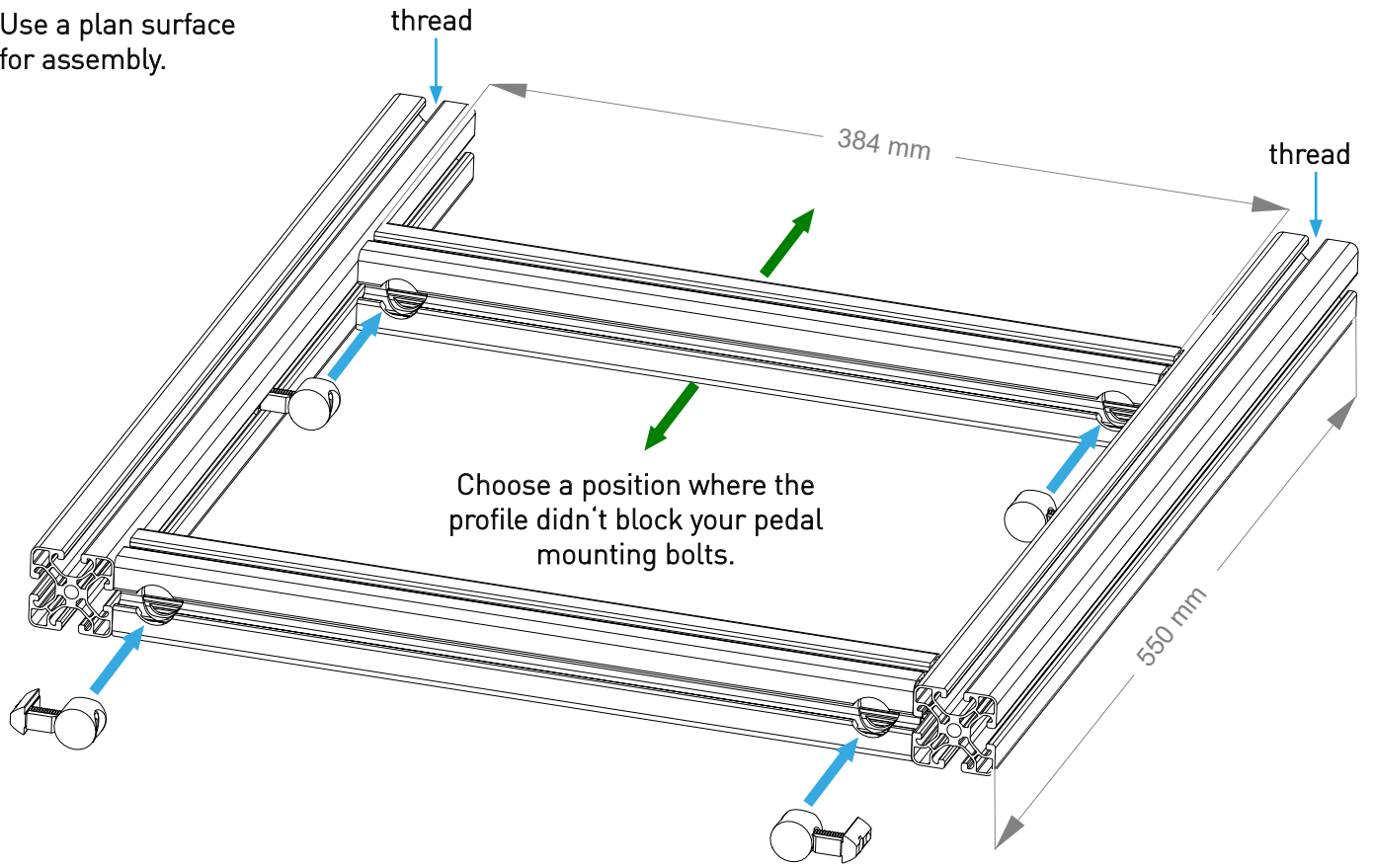
with various bolts and nuts for mounting your pedals.

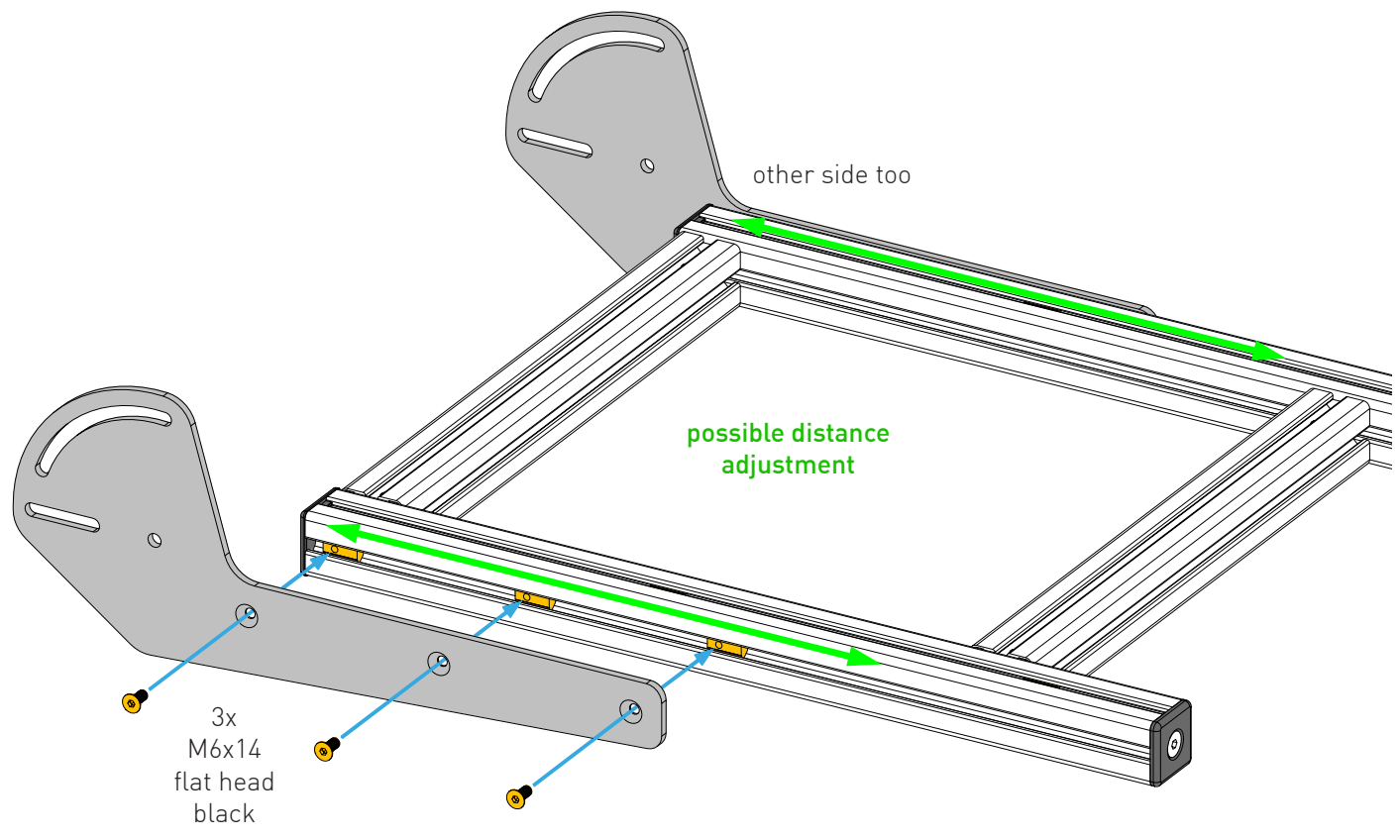
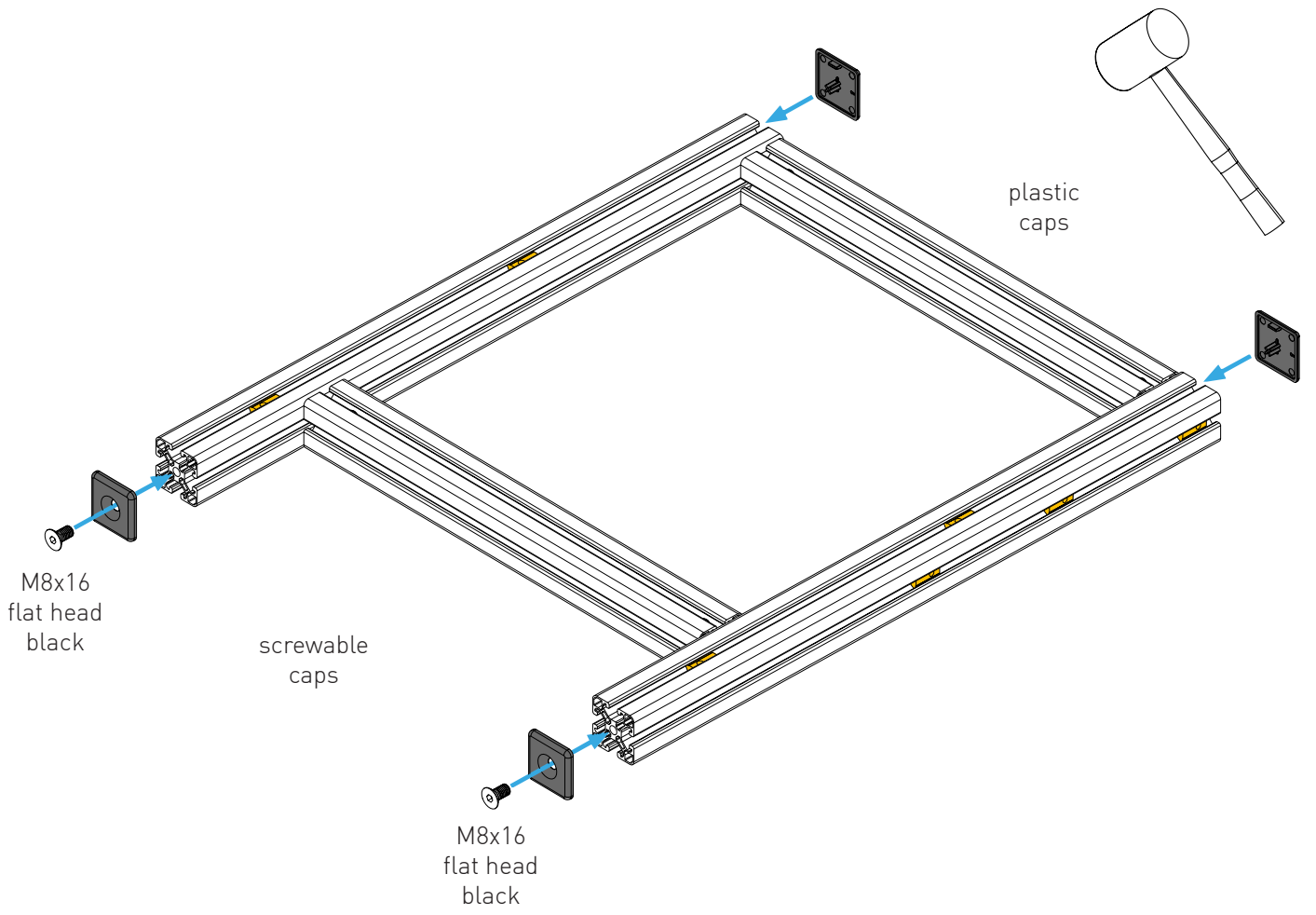
## BAG 5

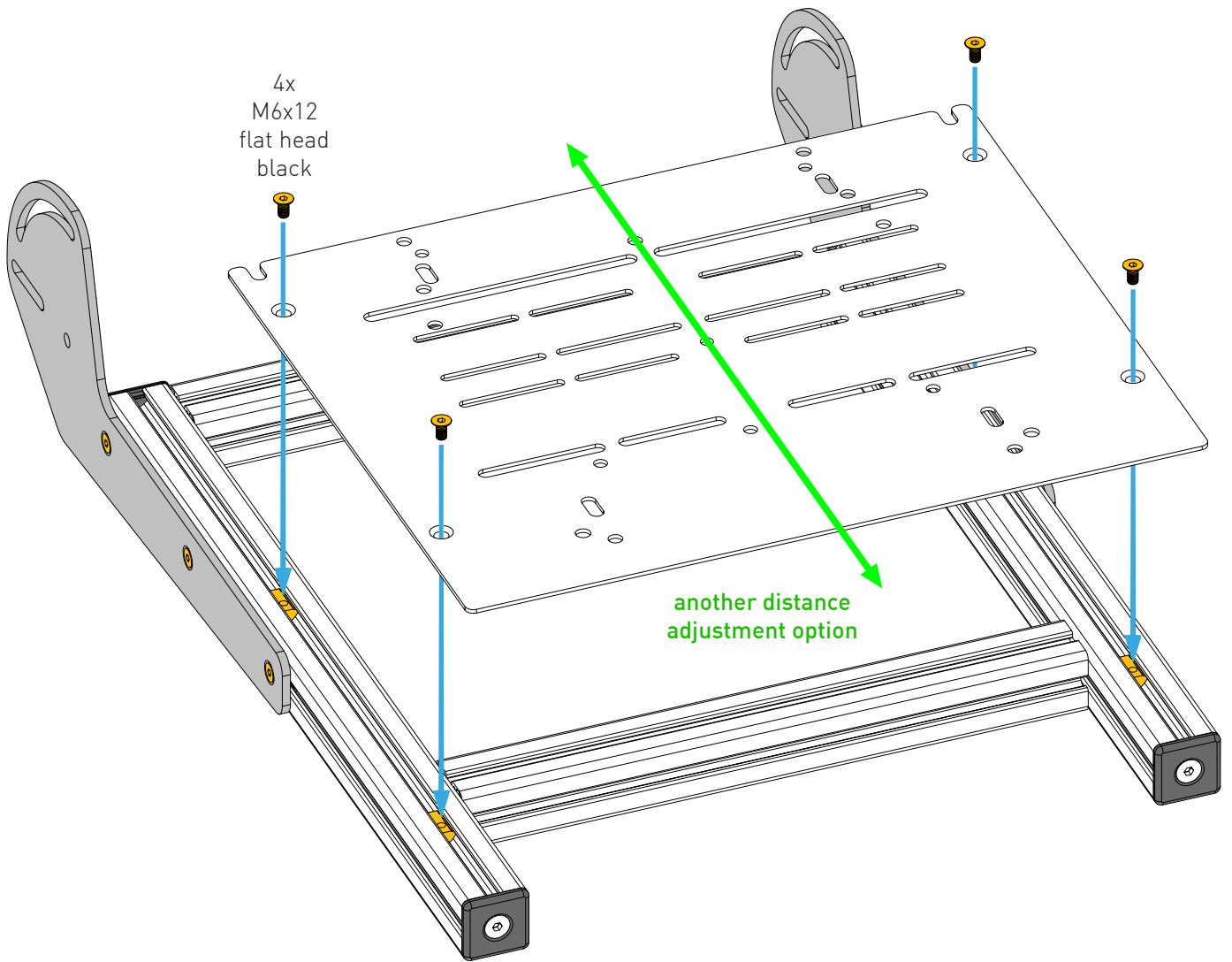
various tools

# ASSEMBLY

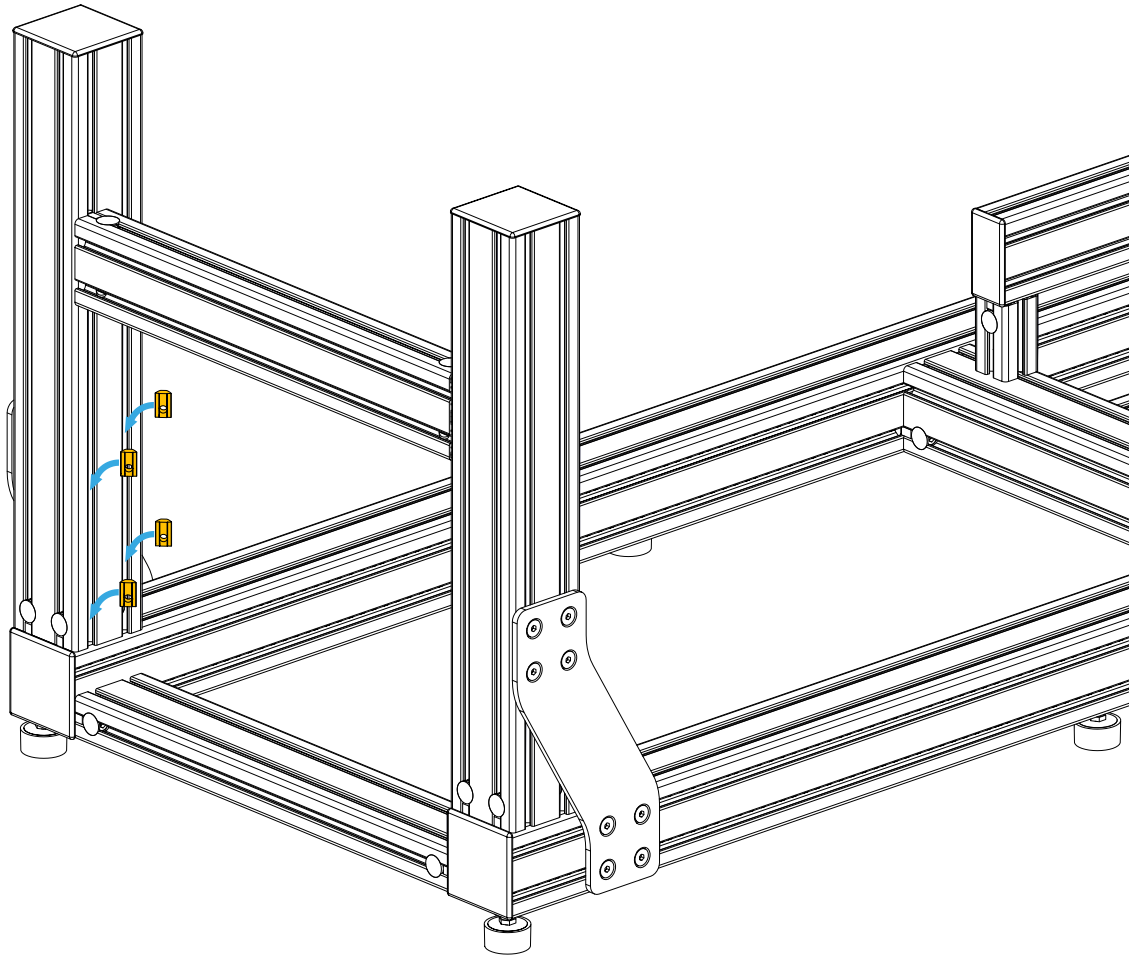
Use a plan surface for assembly.



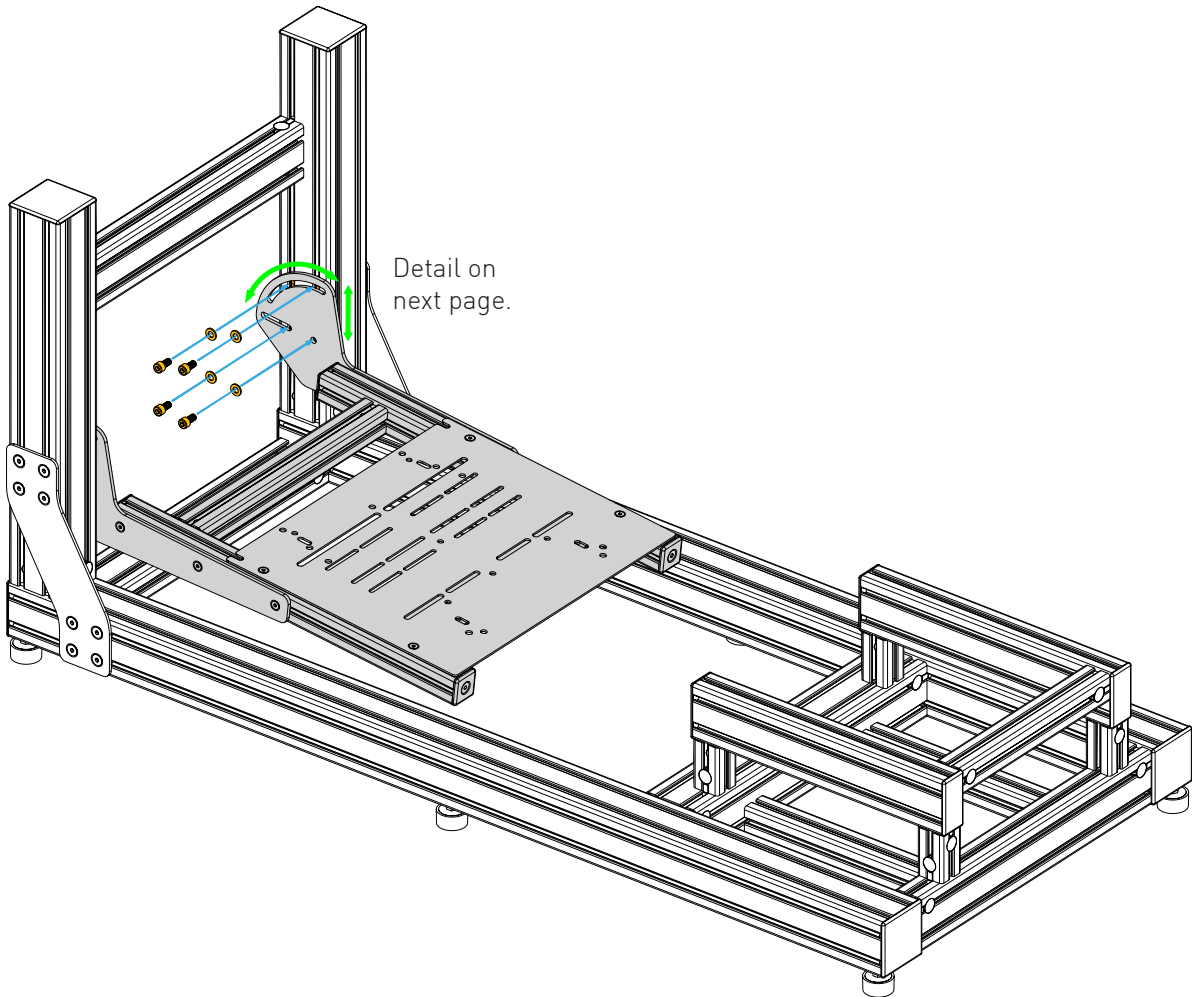




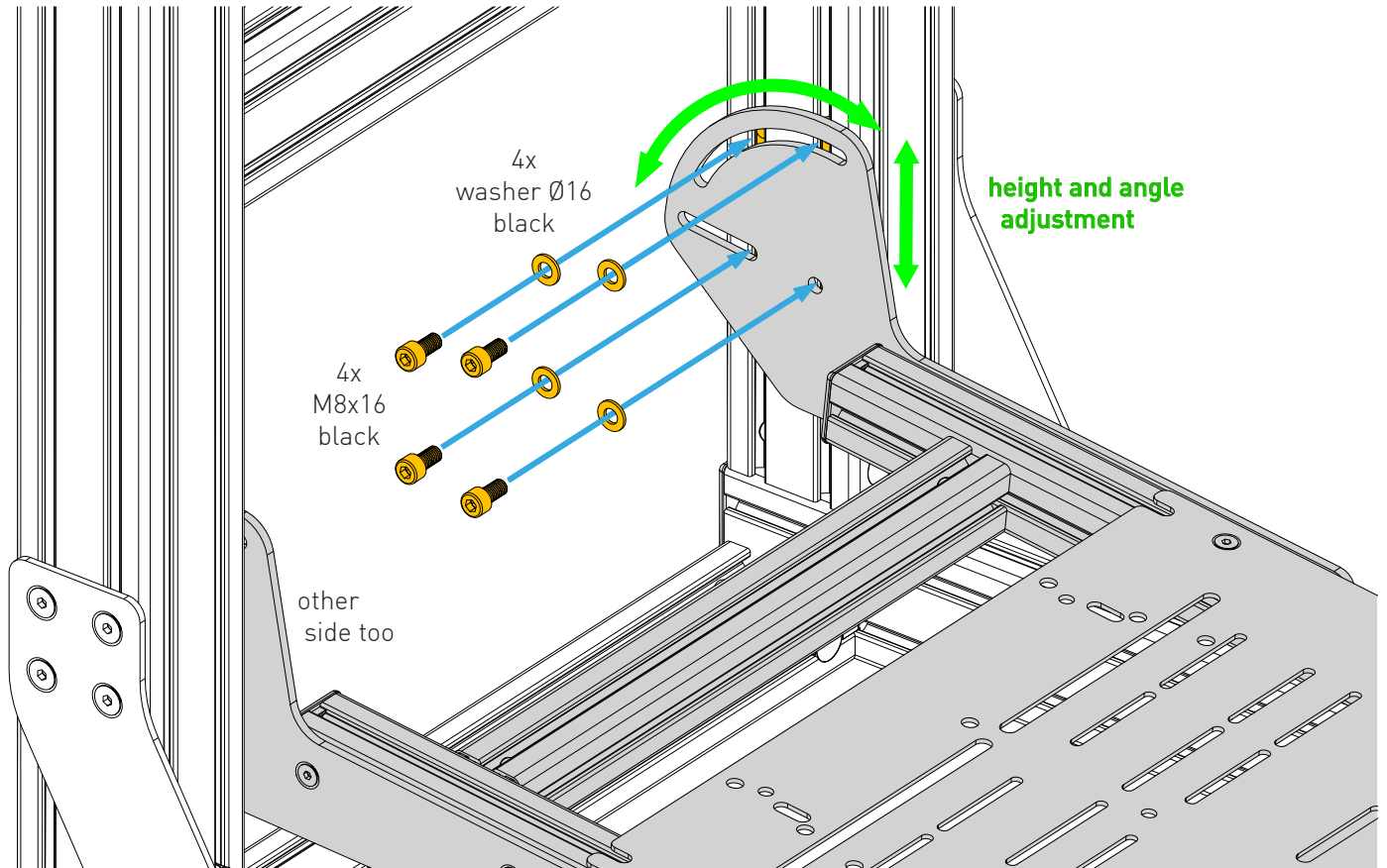
4x  
slot nut  
M8  
both sides



Detail on  
next page.

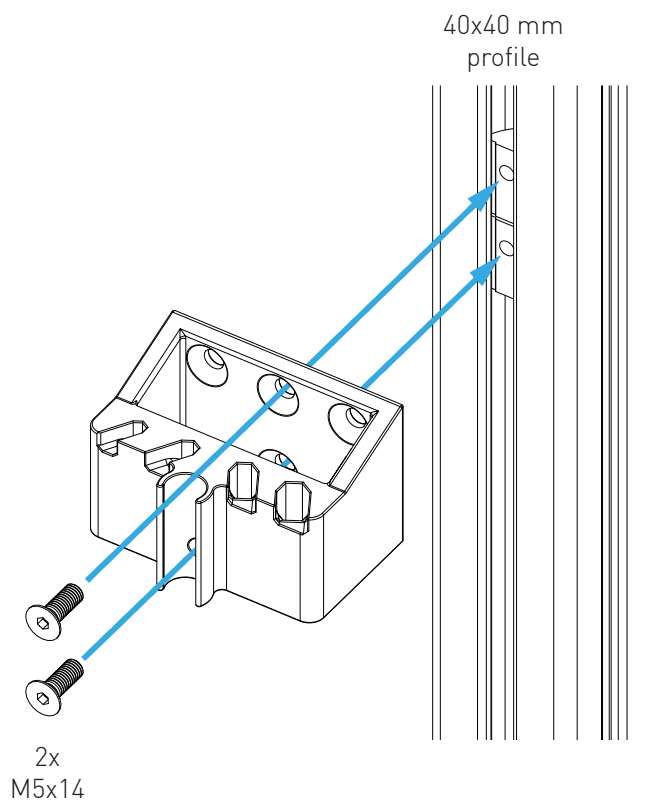
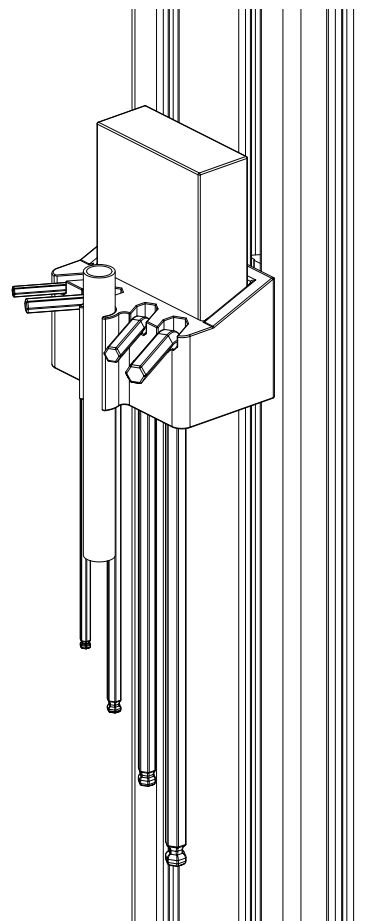
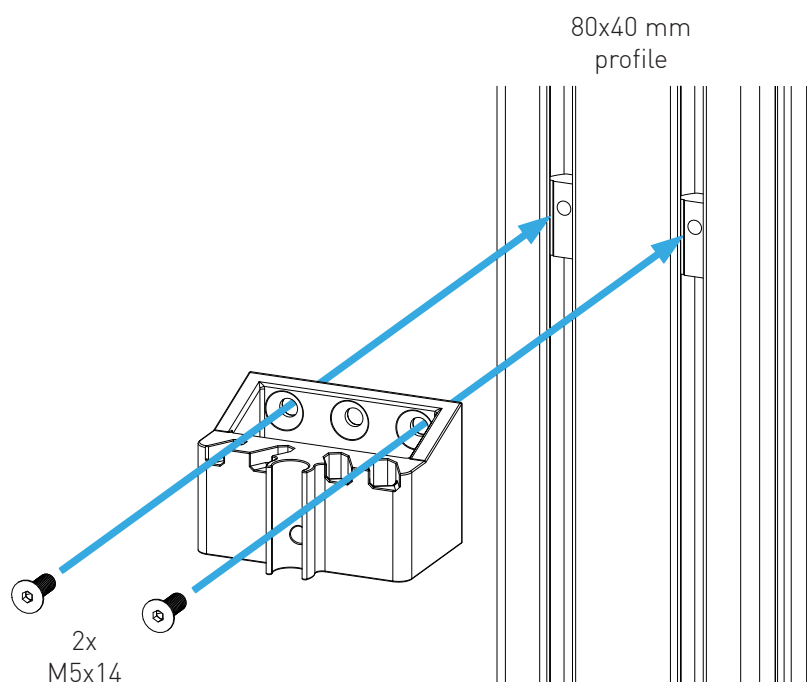


Detail



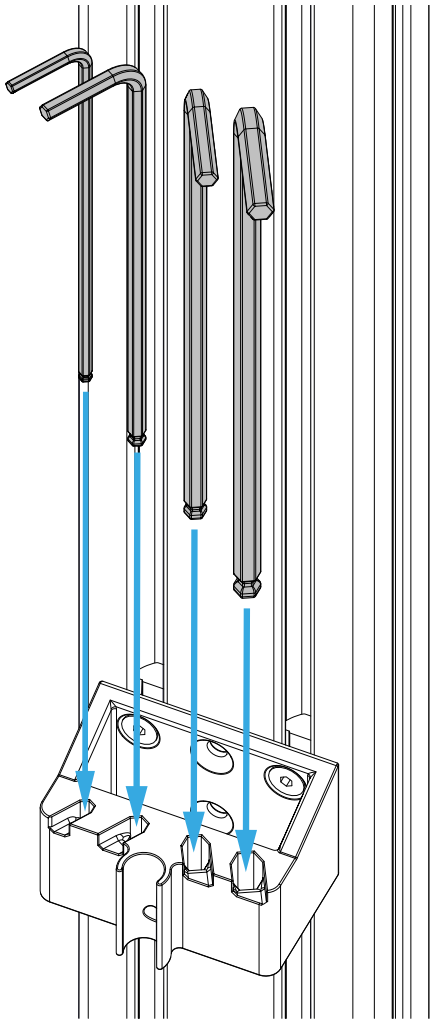
# TOOL HOLDER

Mount the tool holder at any place you like.

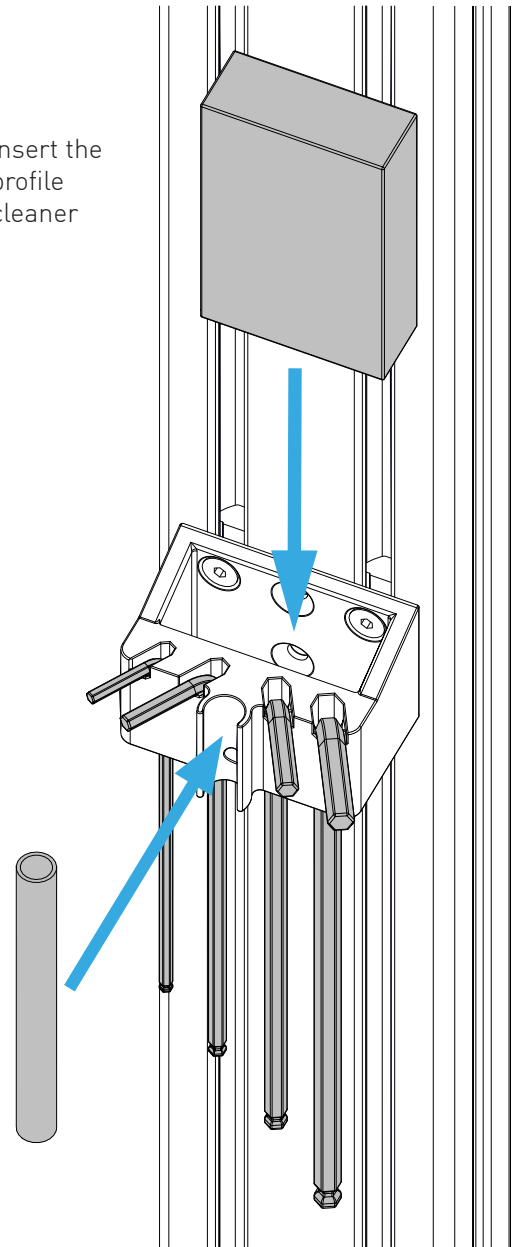




insert the  
hex keys



insert the  
profile  
cleaner



snap in the  
extension  
pipe

