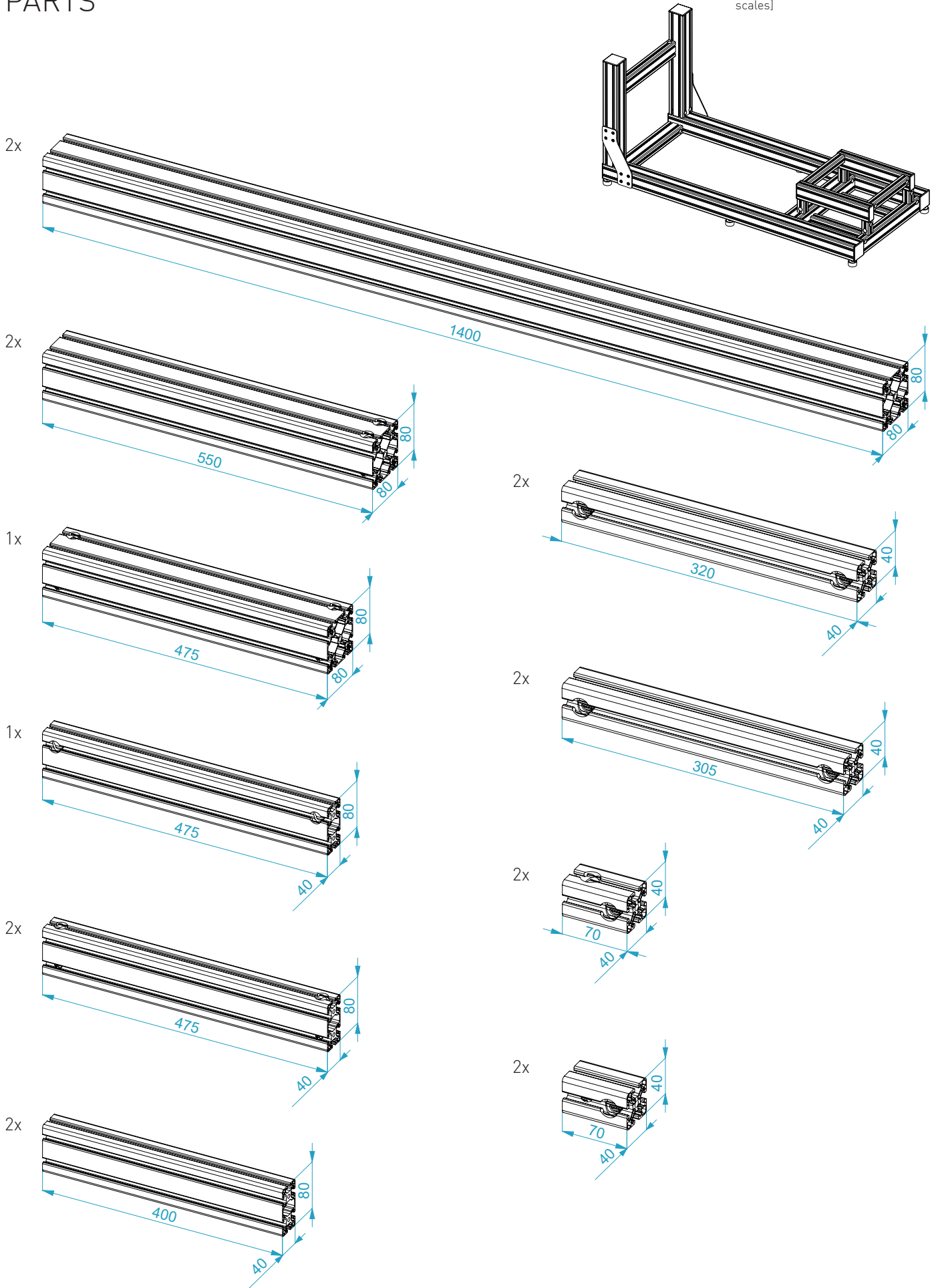


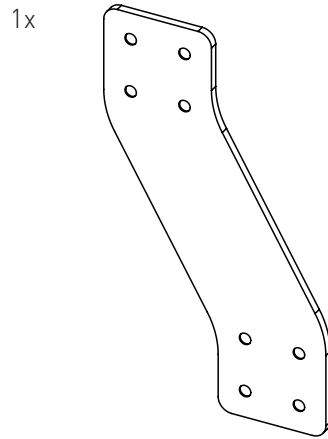
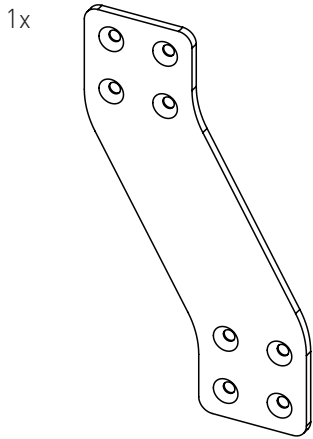
MTS BASE FRAME

Instruction Manual
Bedienungsanleitung
Mode d'emploi

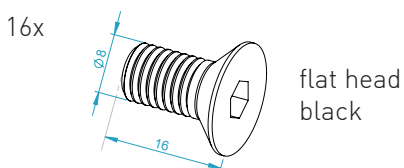
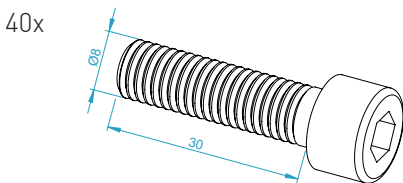
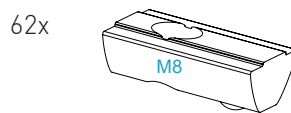
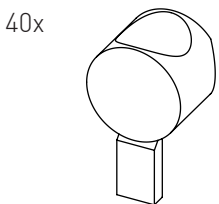
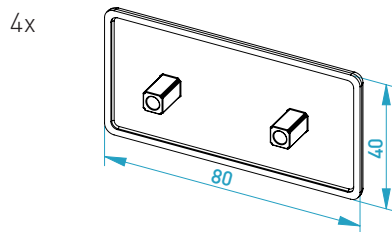
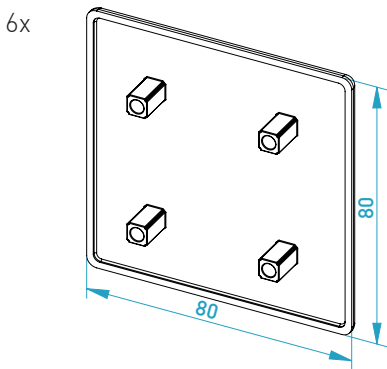
PARTS

[dimensions in mm / different scales]



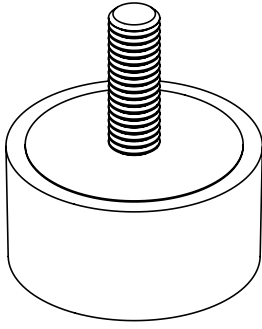


BAG 1

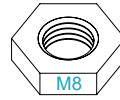


BAG 2 (feet)

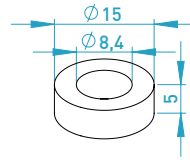
6x



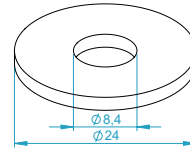
6x



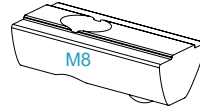
6x



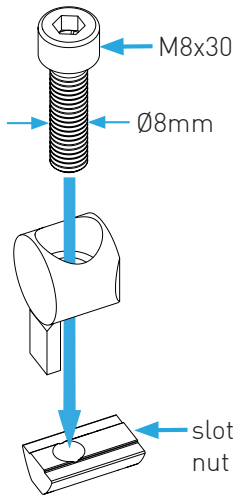
6x



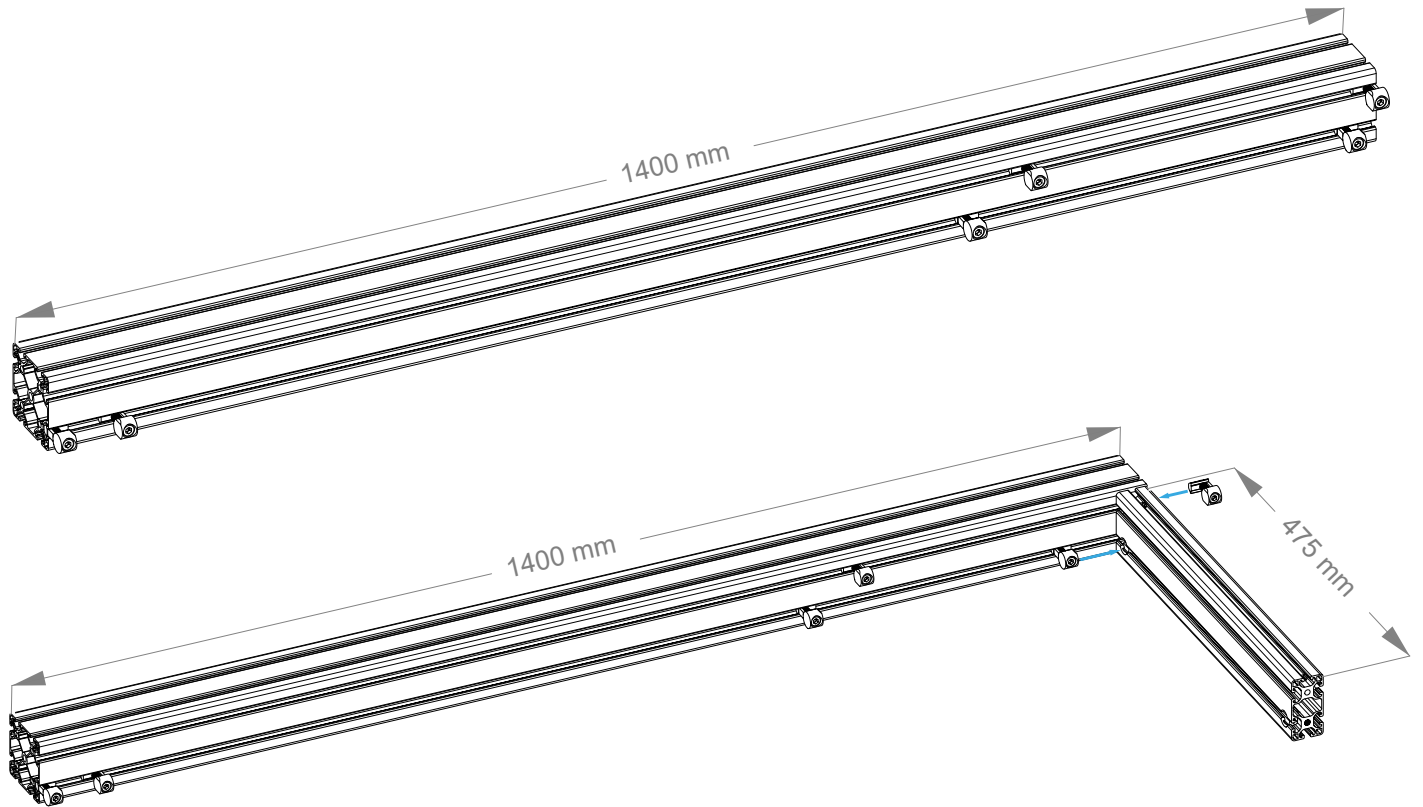
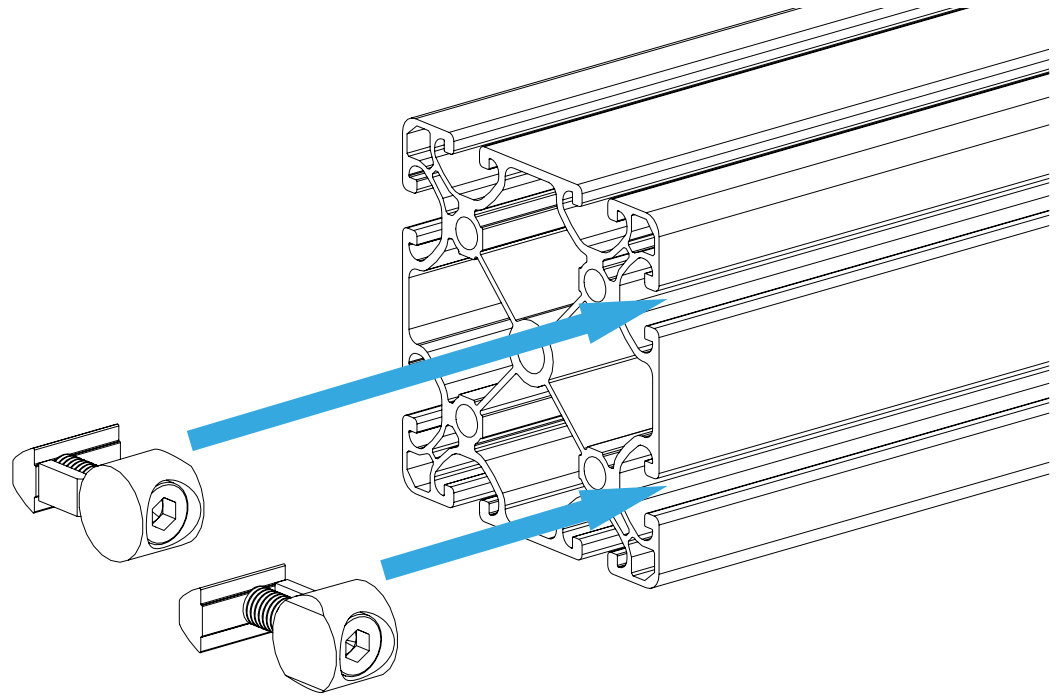
6x



ASSEMBLY



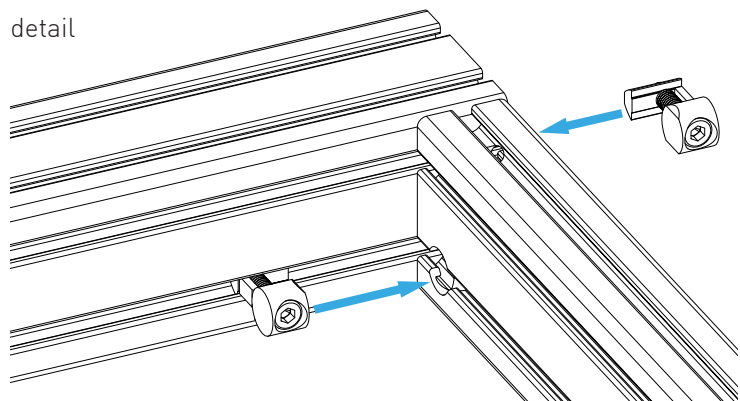
Prepare universal connectors (loose fit) and slide in paired.

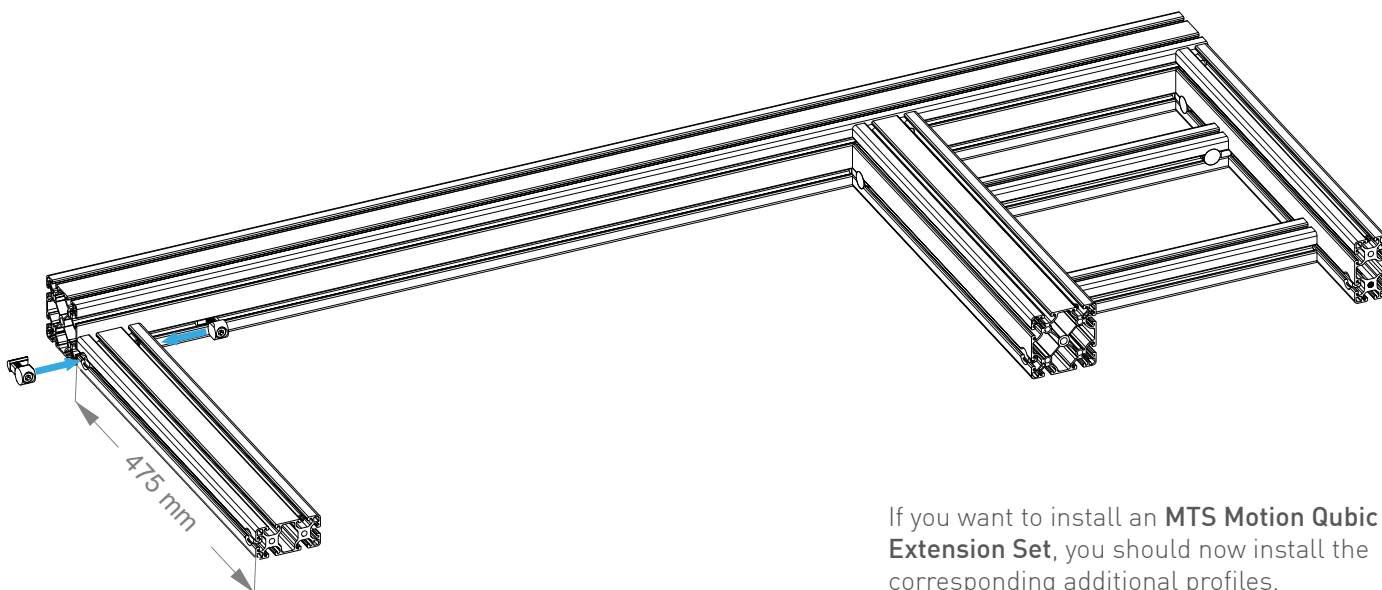
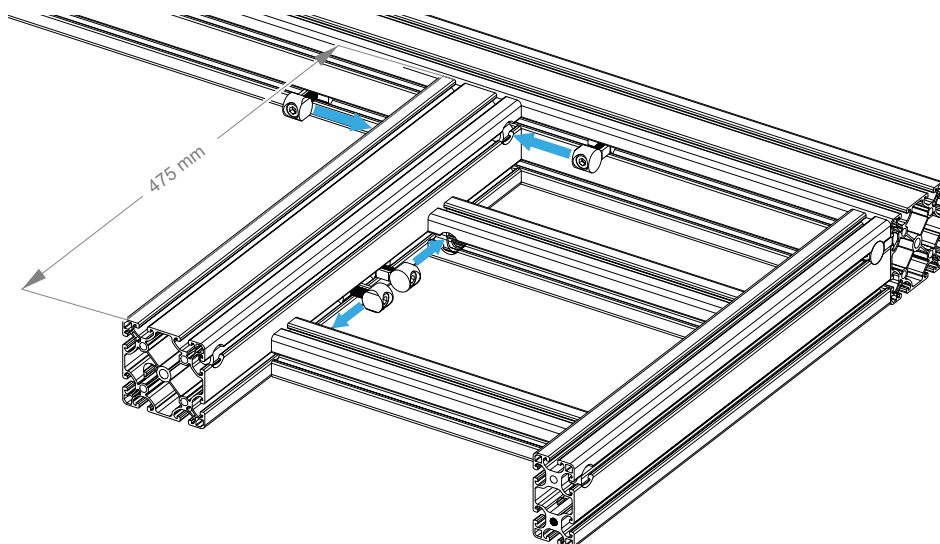
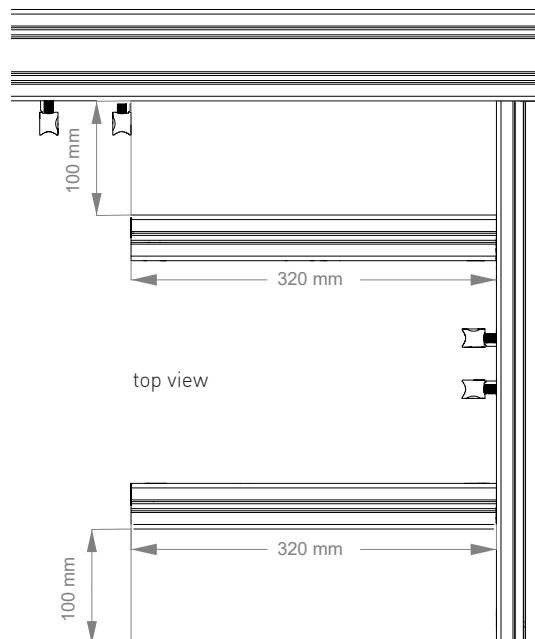
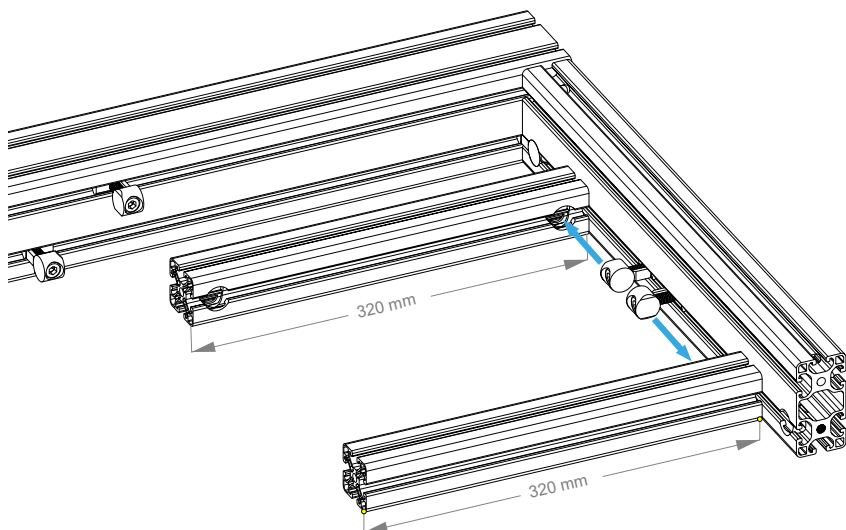


detail

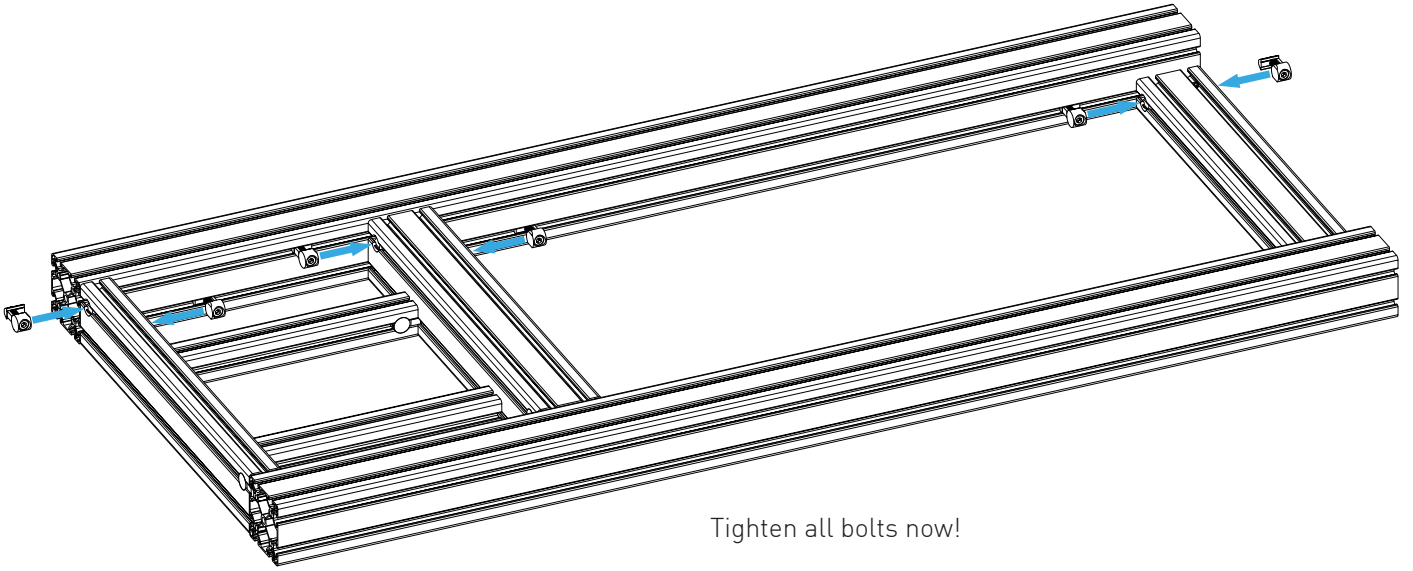
Use a plan surface for assembly.

Tighten slightly until ALL profiles are placed.

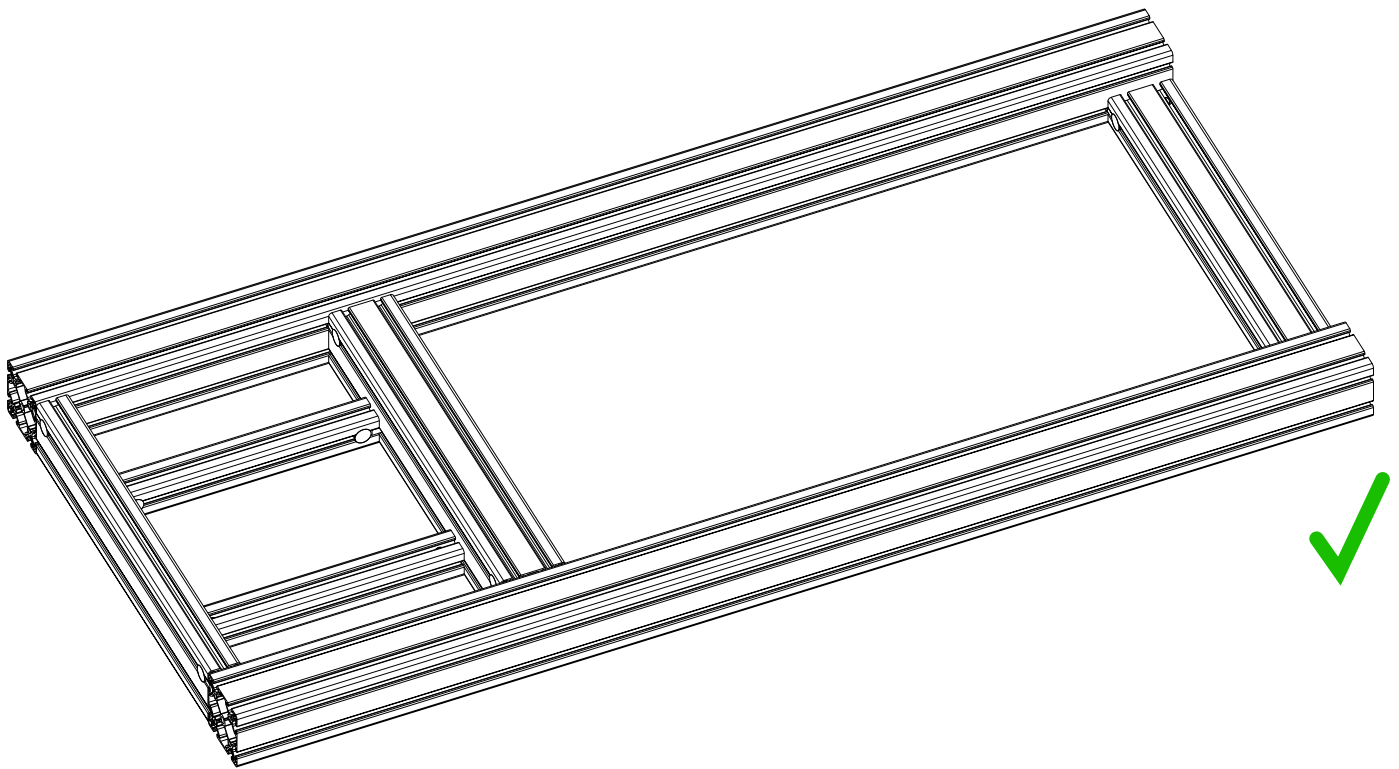




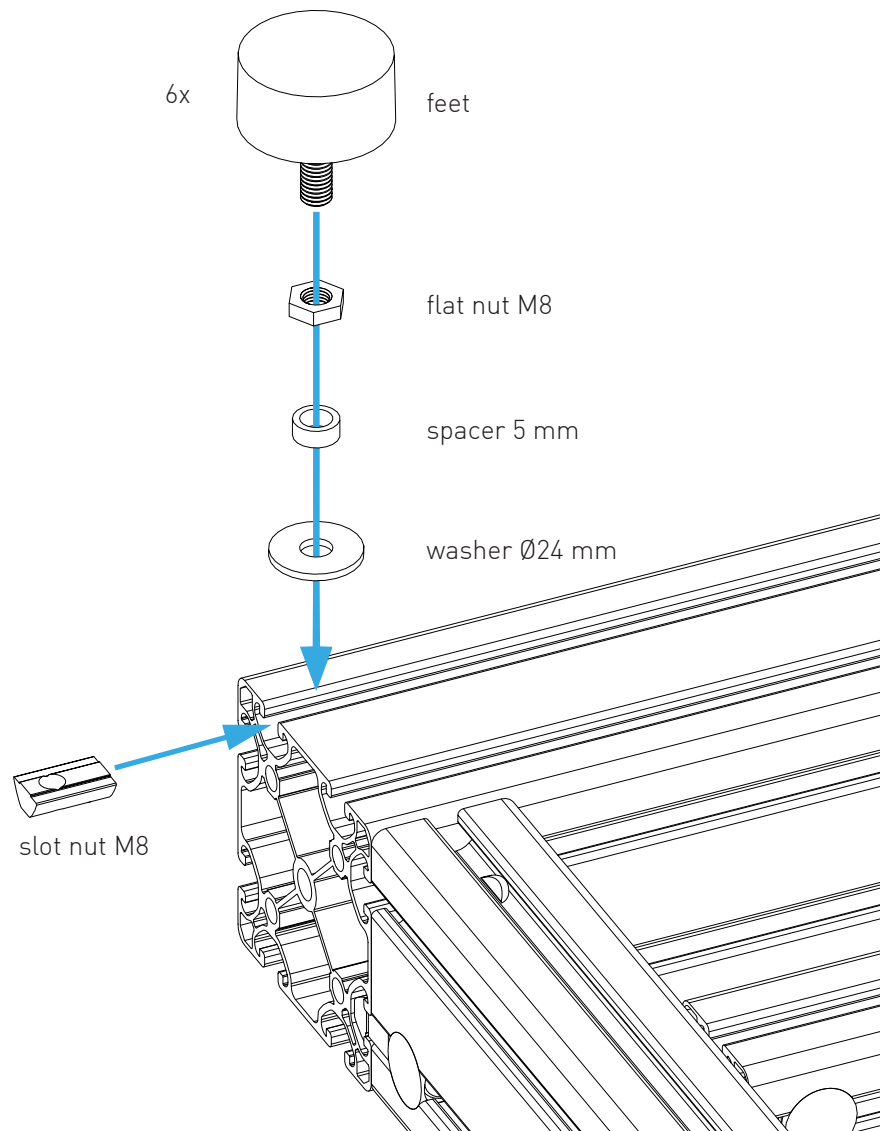
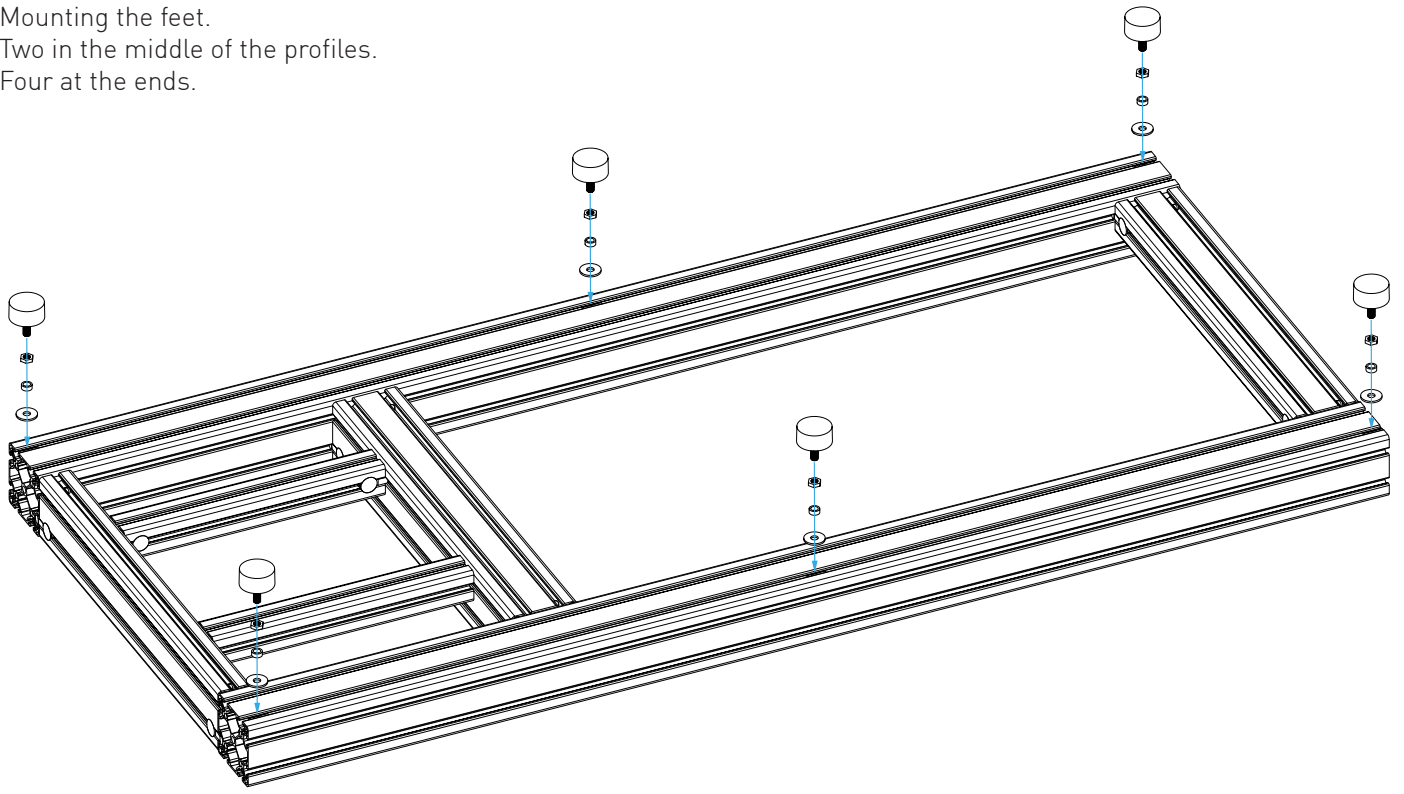
If you want to install an **MTS Motion Qubic Extension Set**, you should now install the corresponding additional profiles.

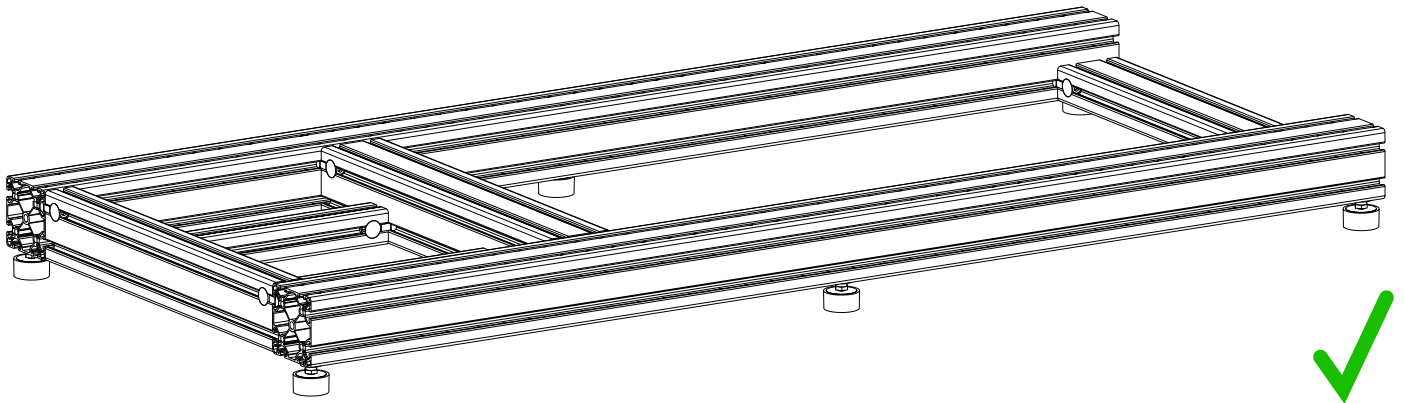
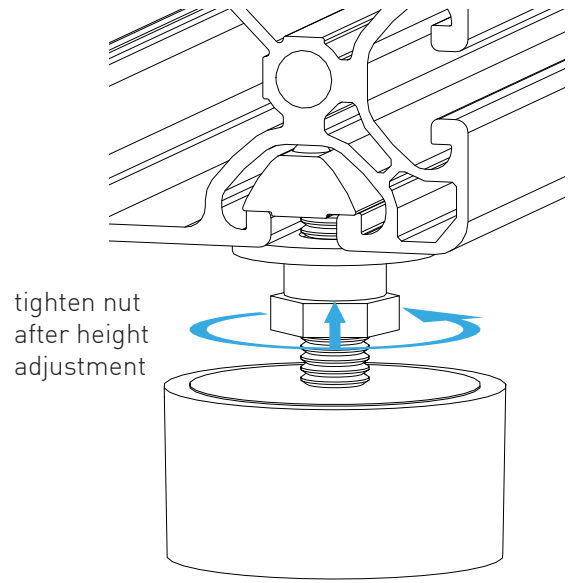
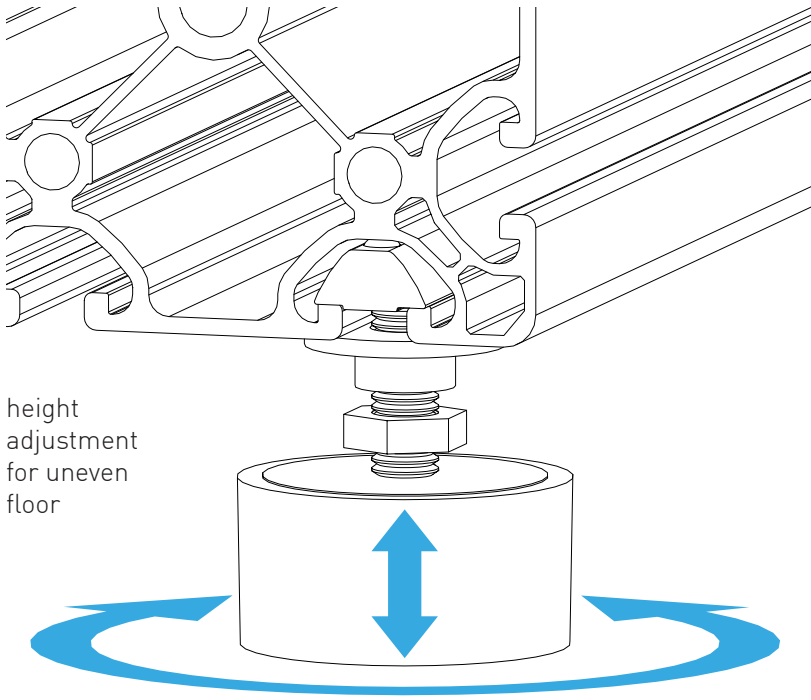


Tighten all bolts now!

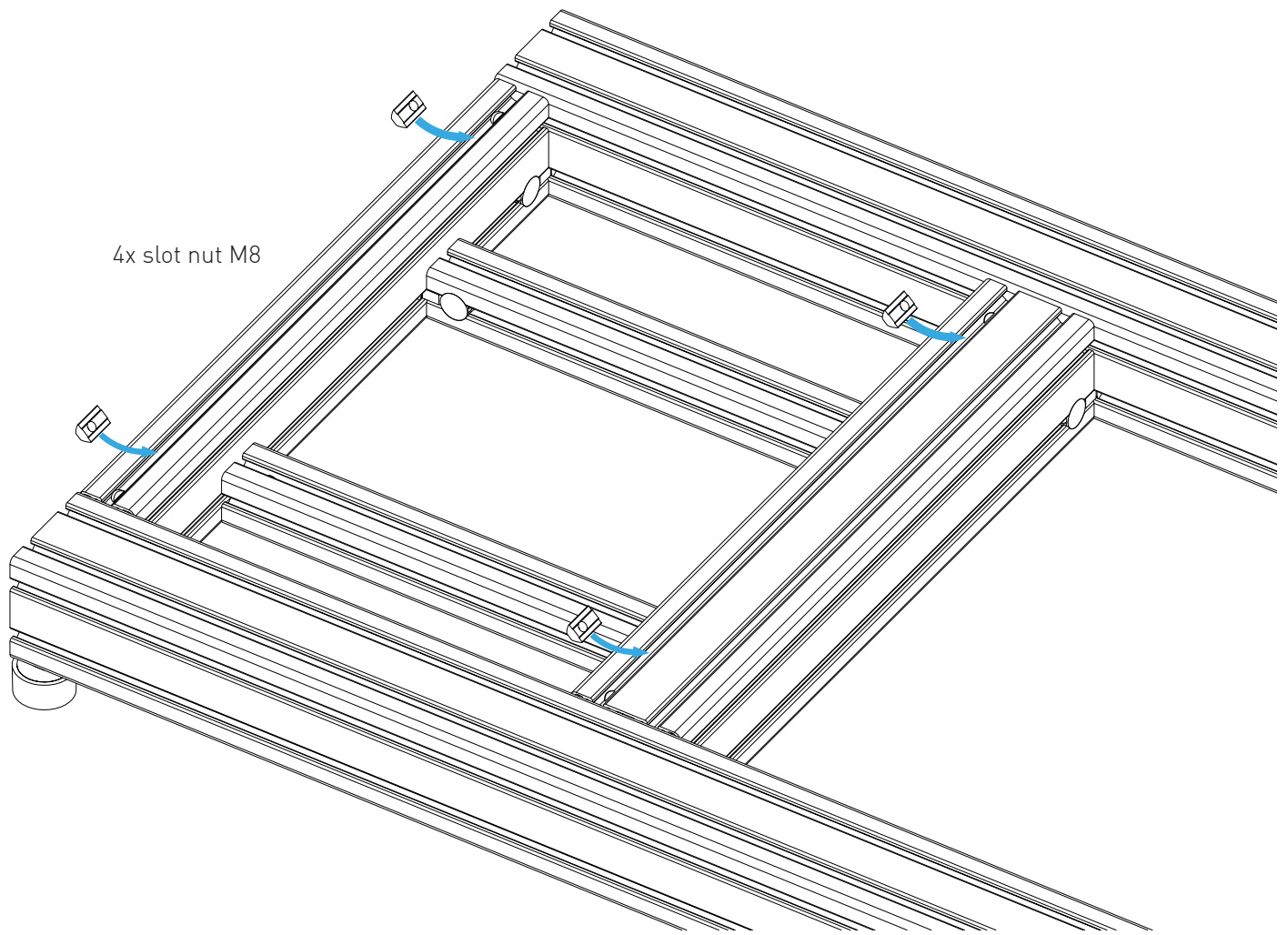
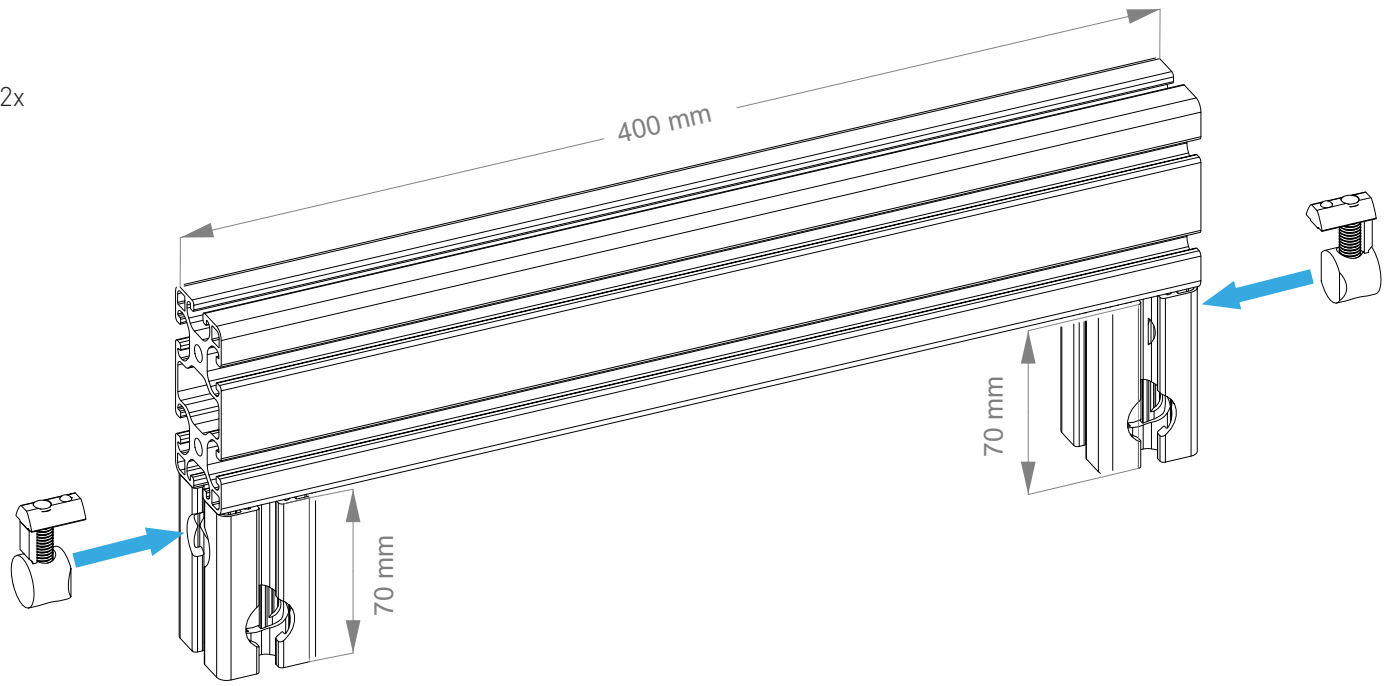


Mounting the feet.
Two in the middle of the profiles.
Four at the ends.

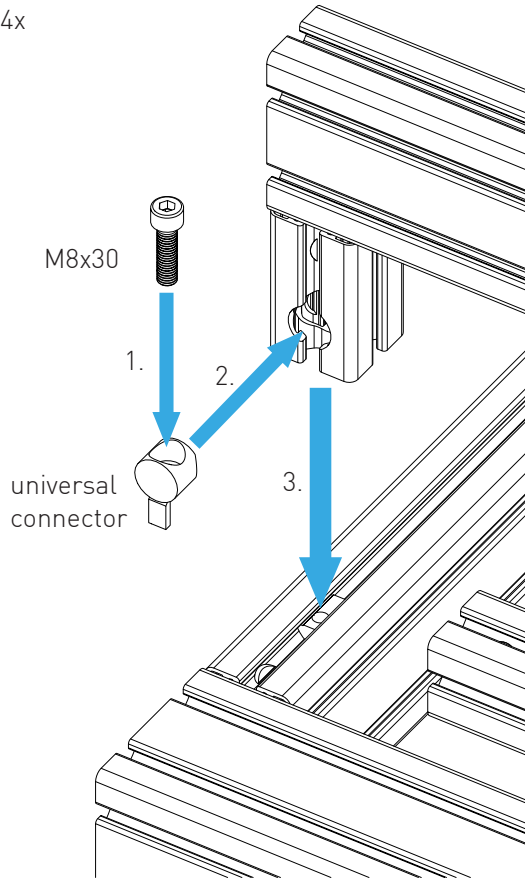




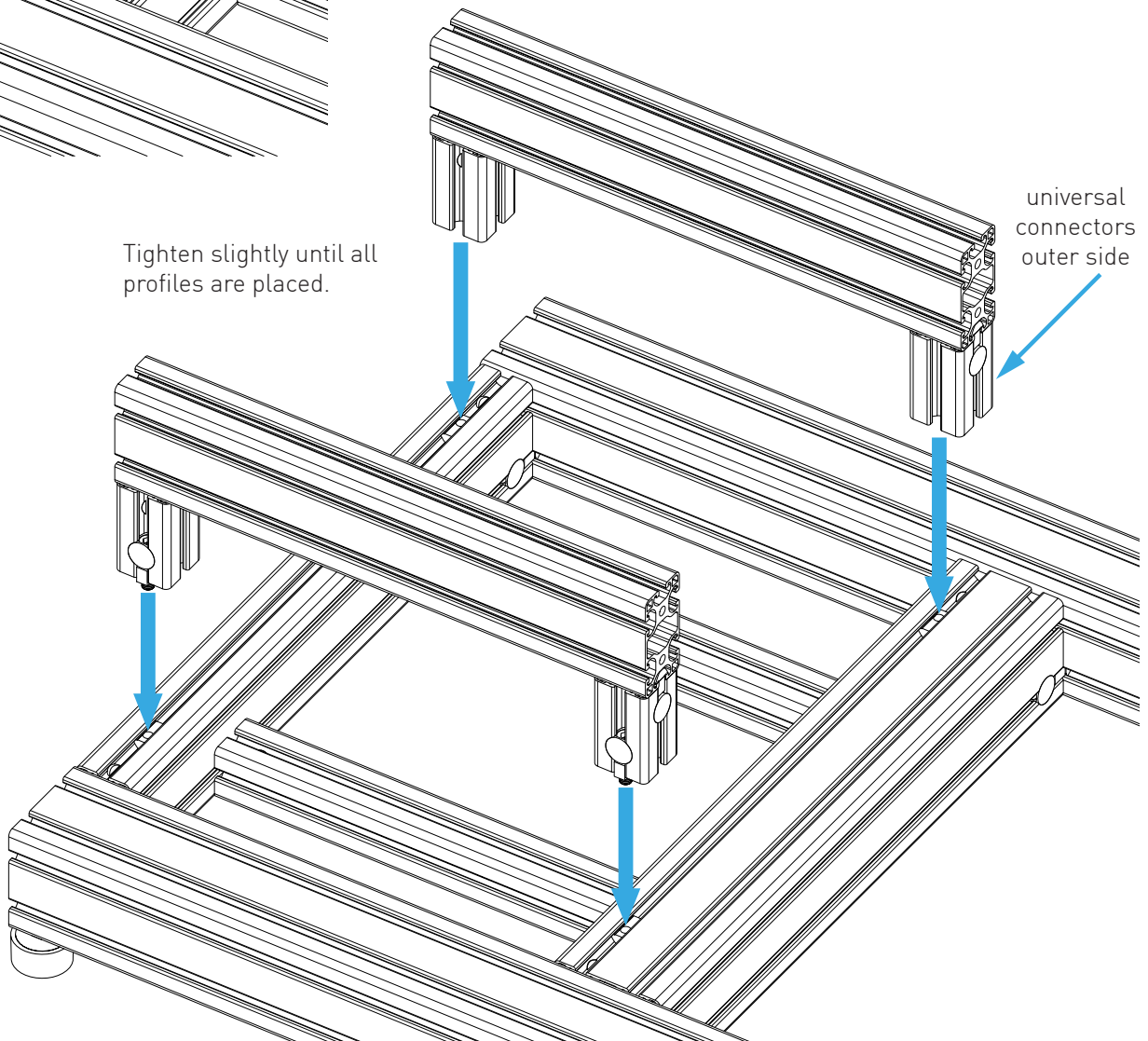
2x

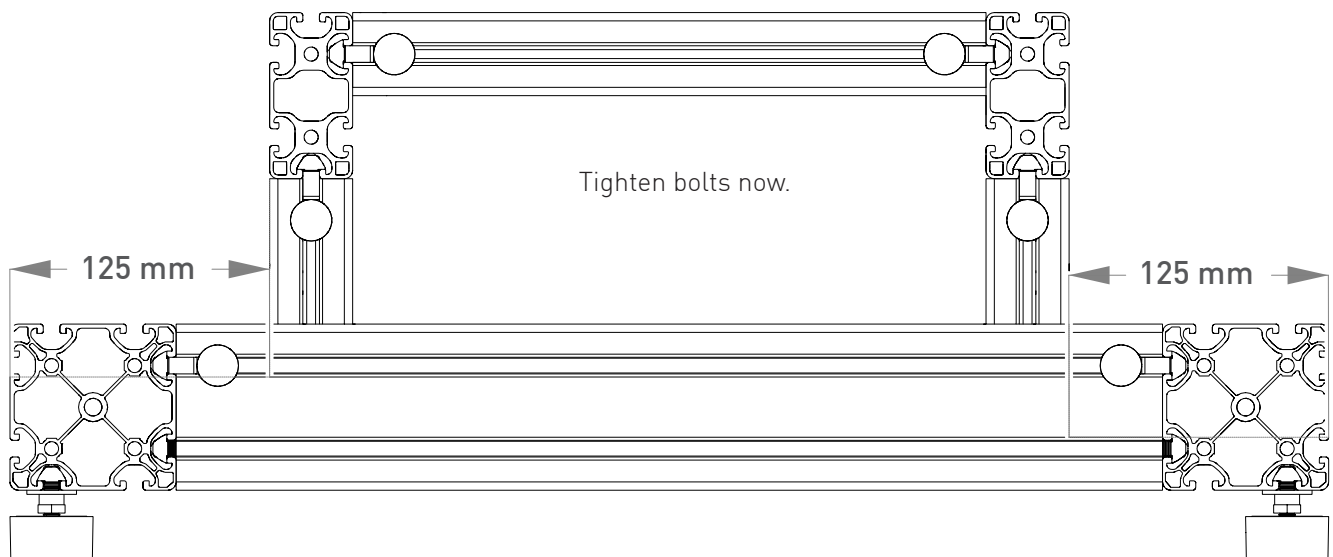
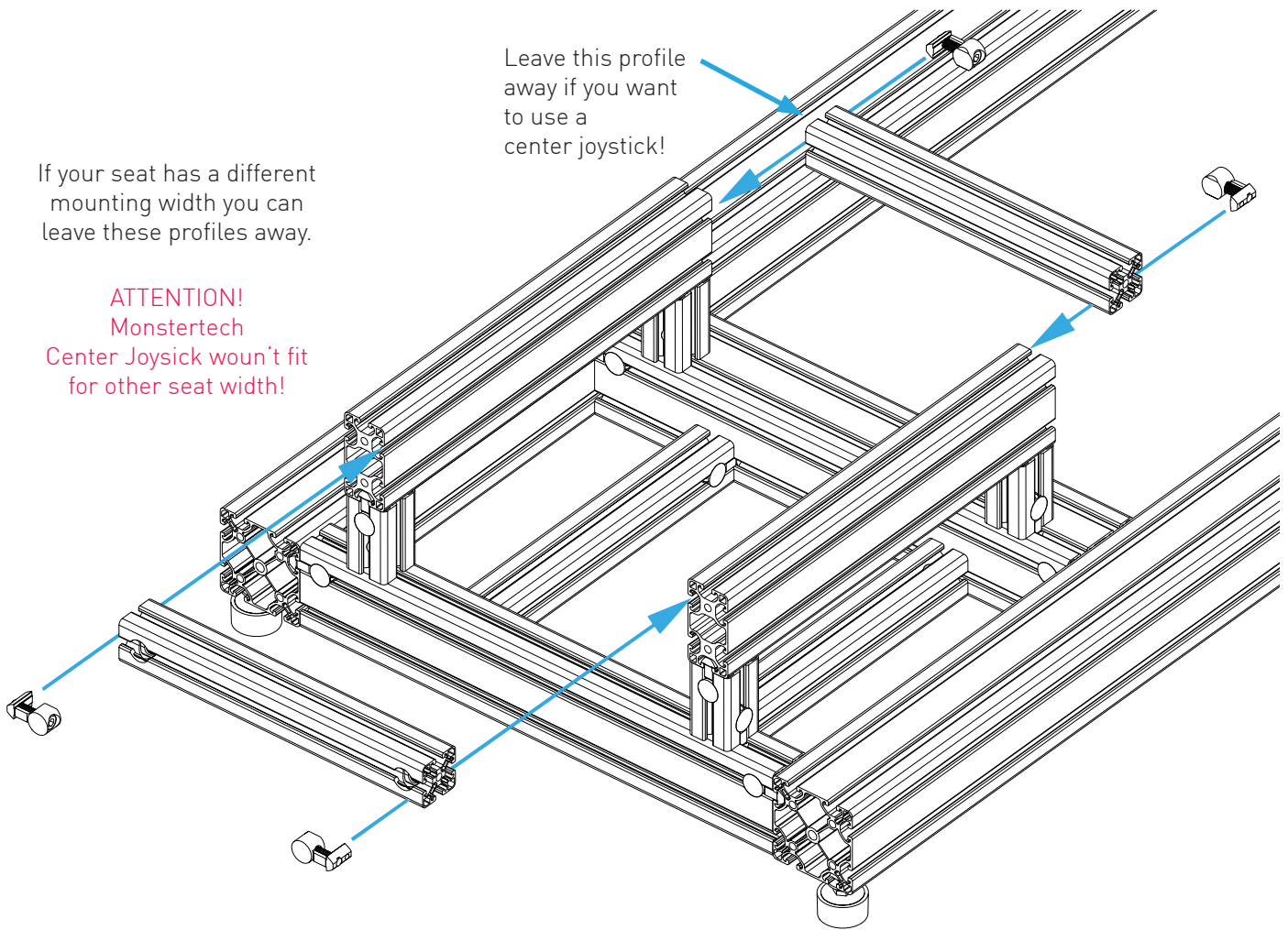


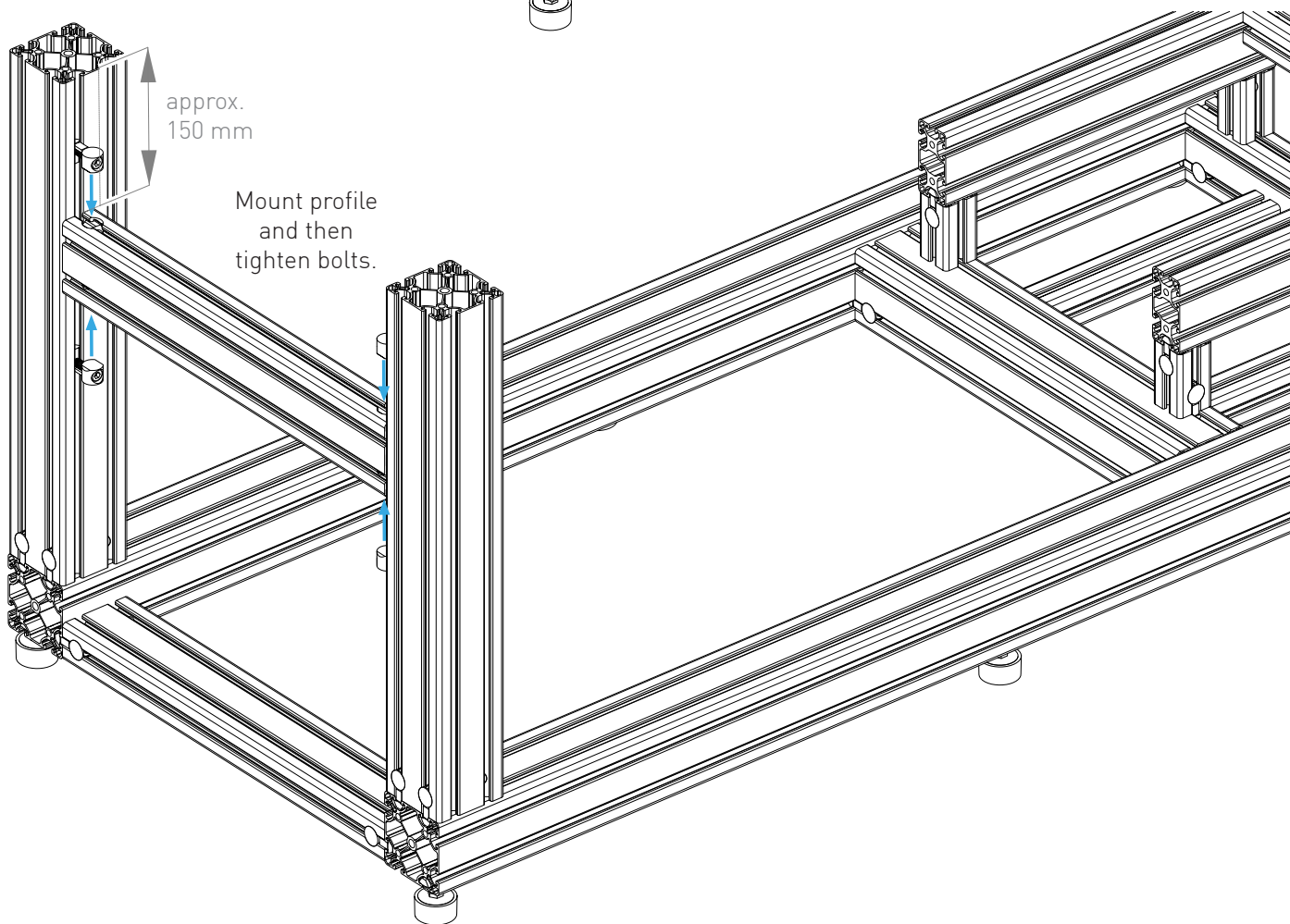
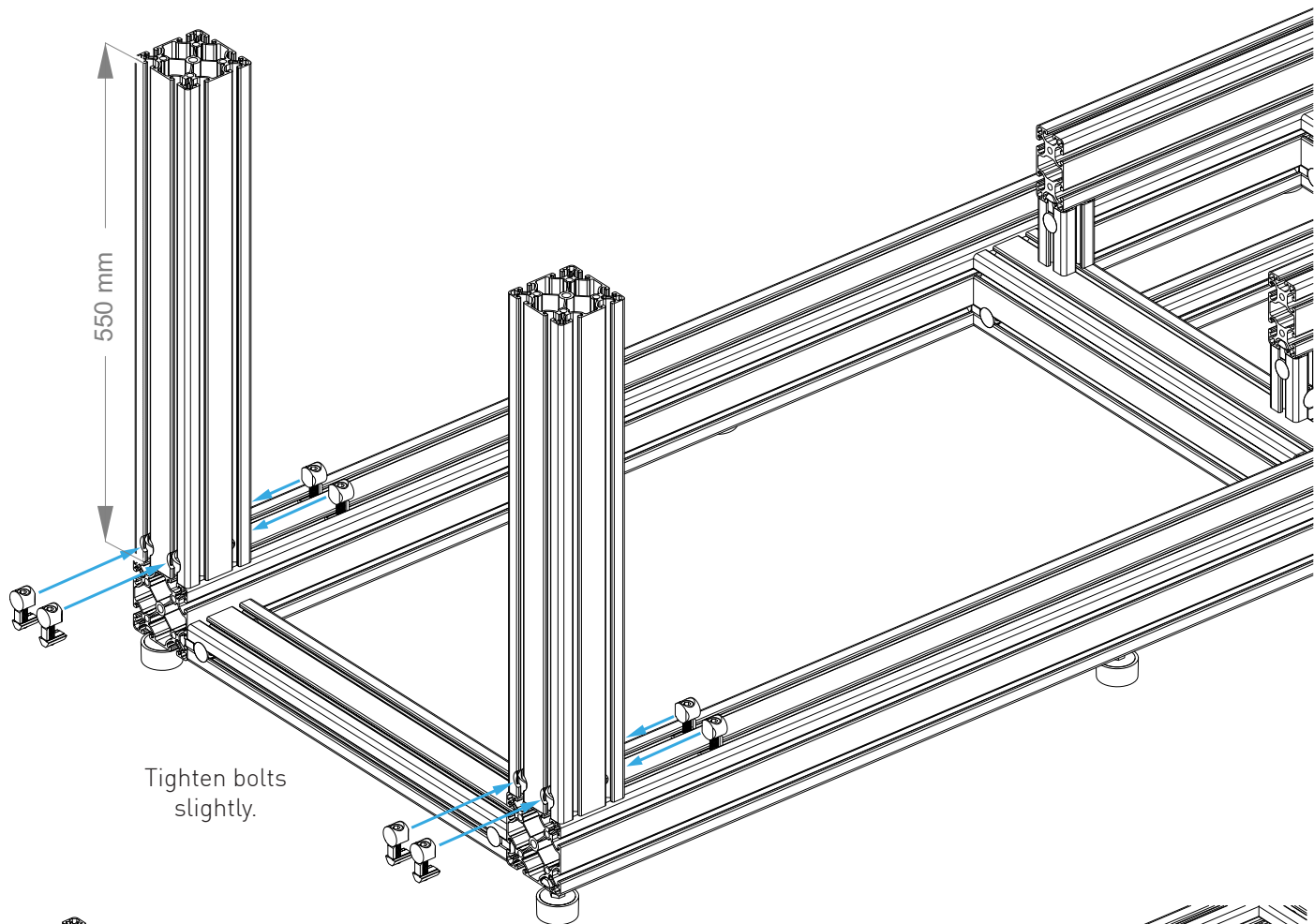
4x

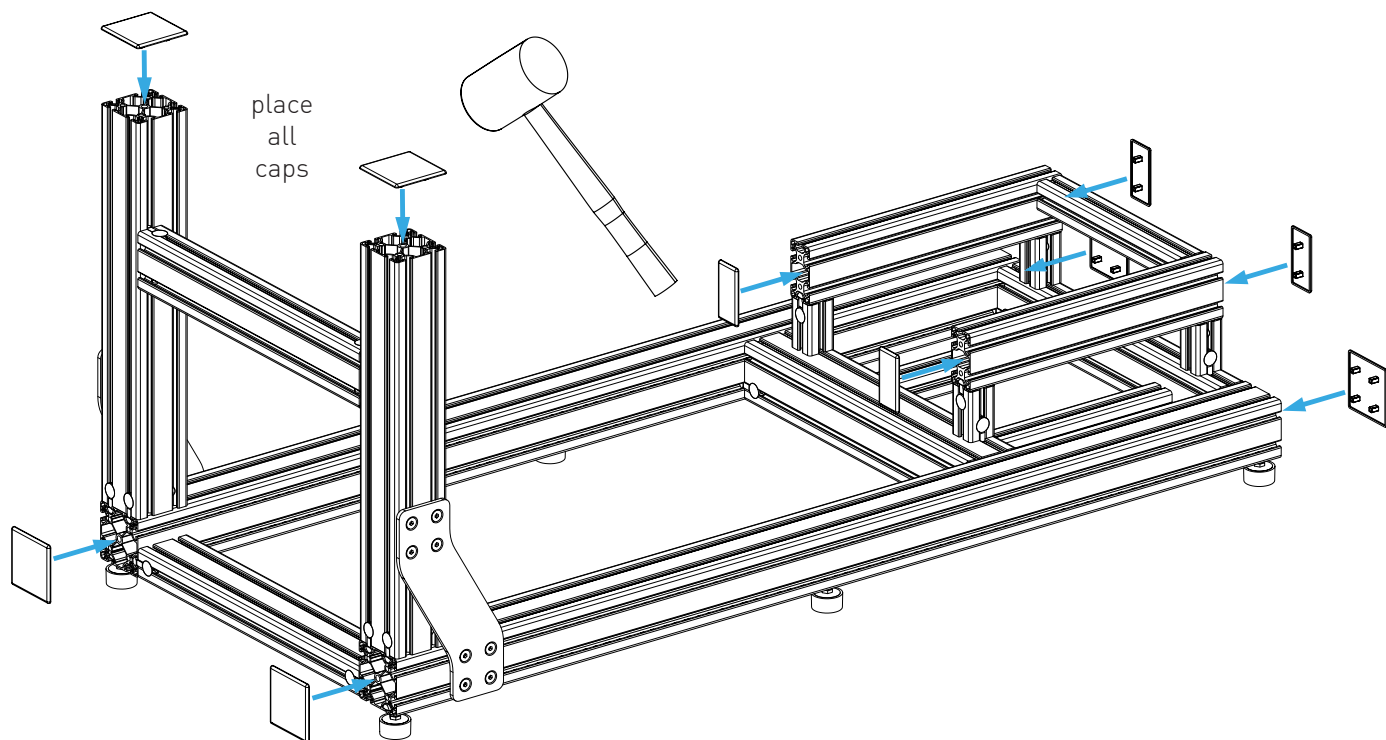
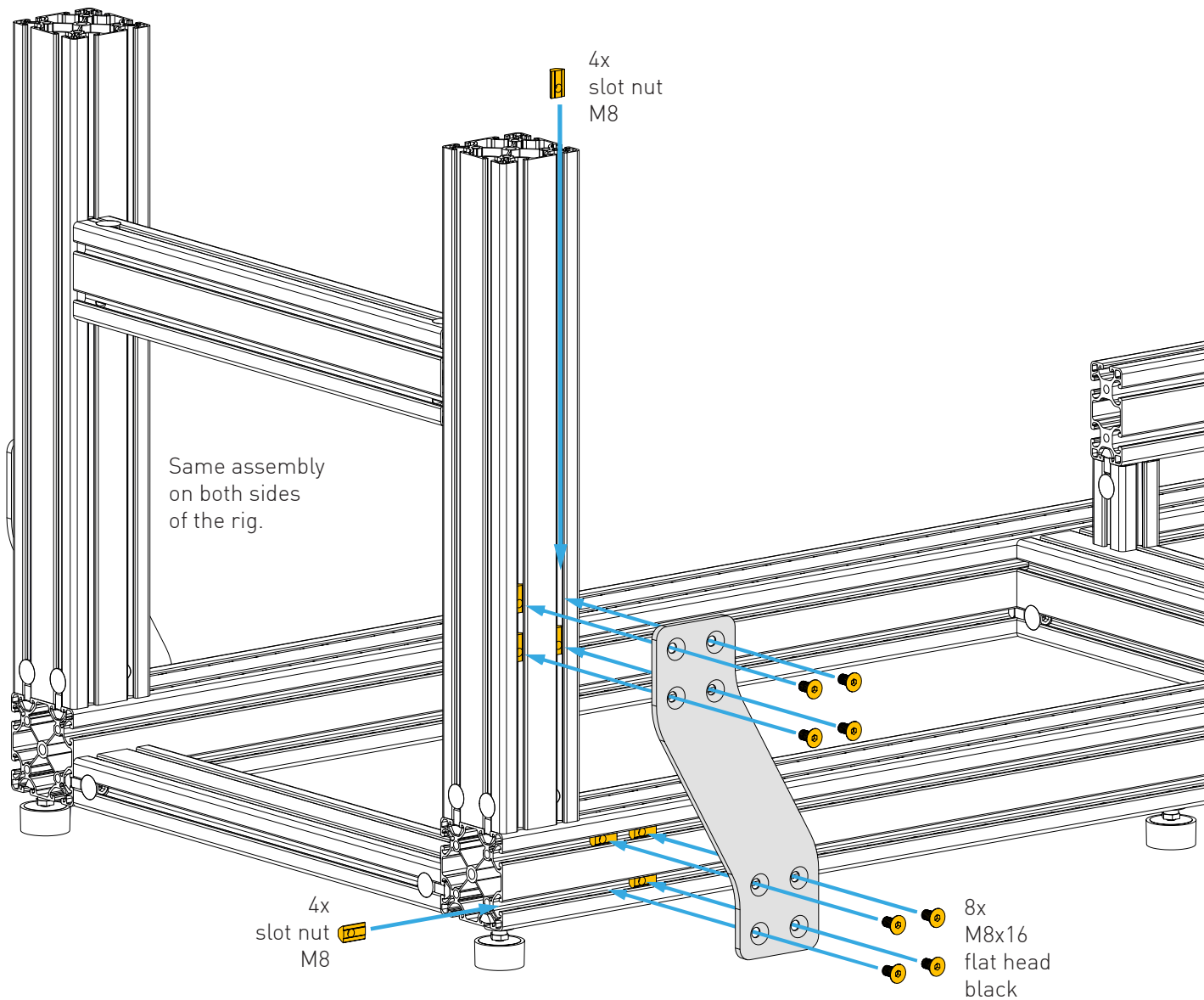


Tighten slightly until all profiles are placed.



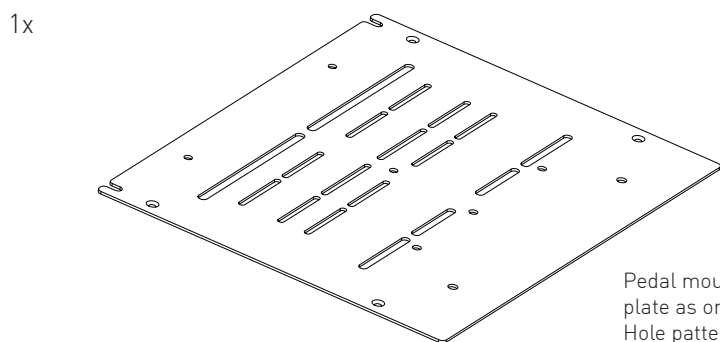
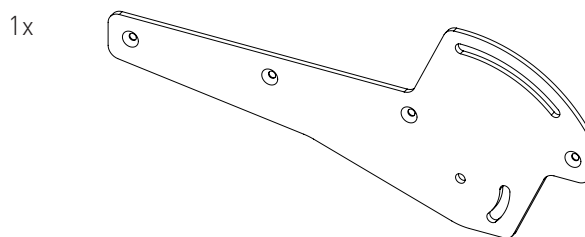
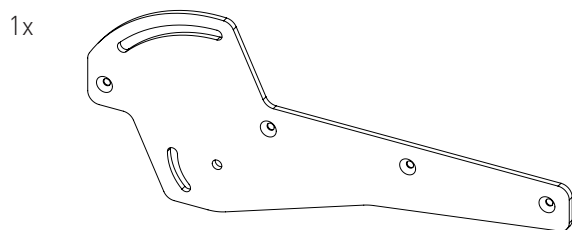
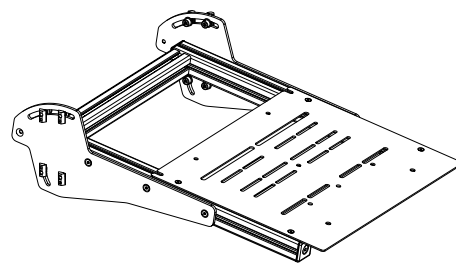
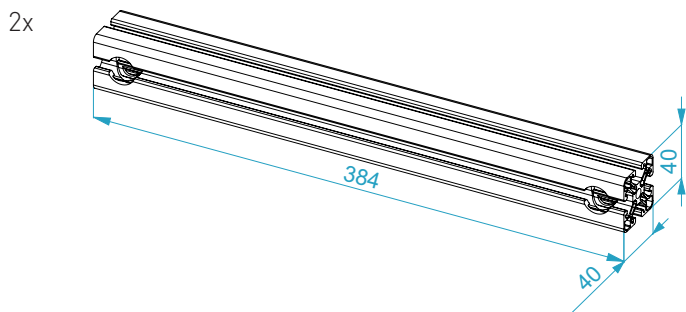
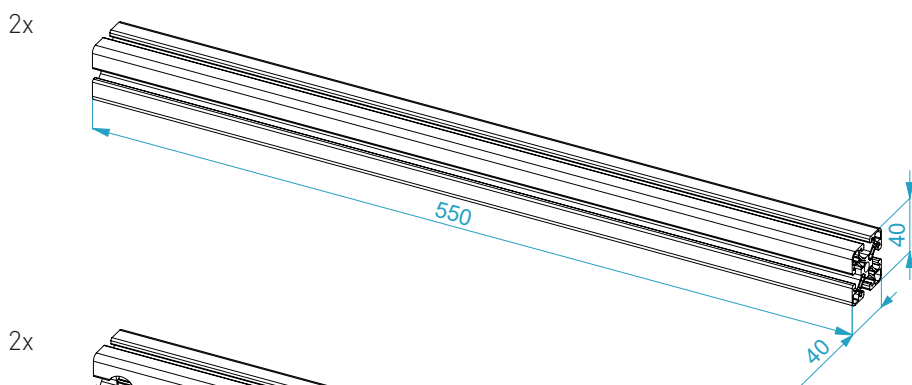






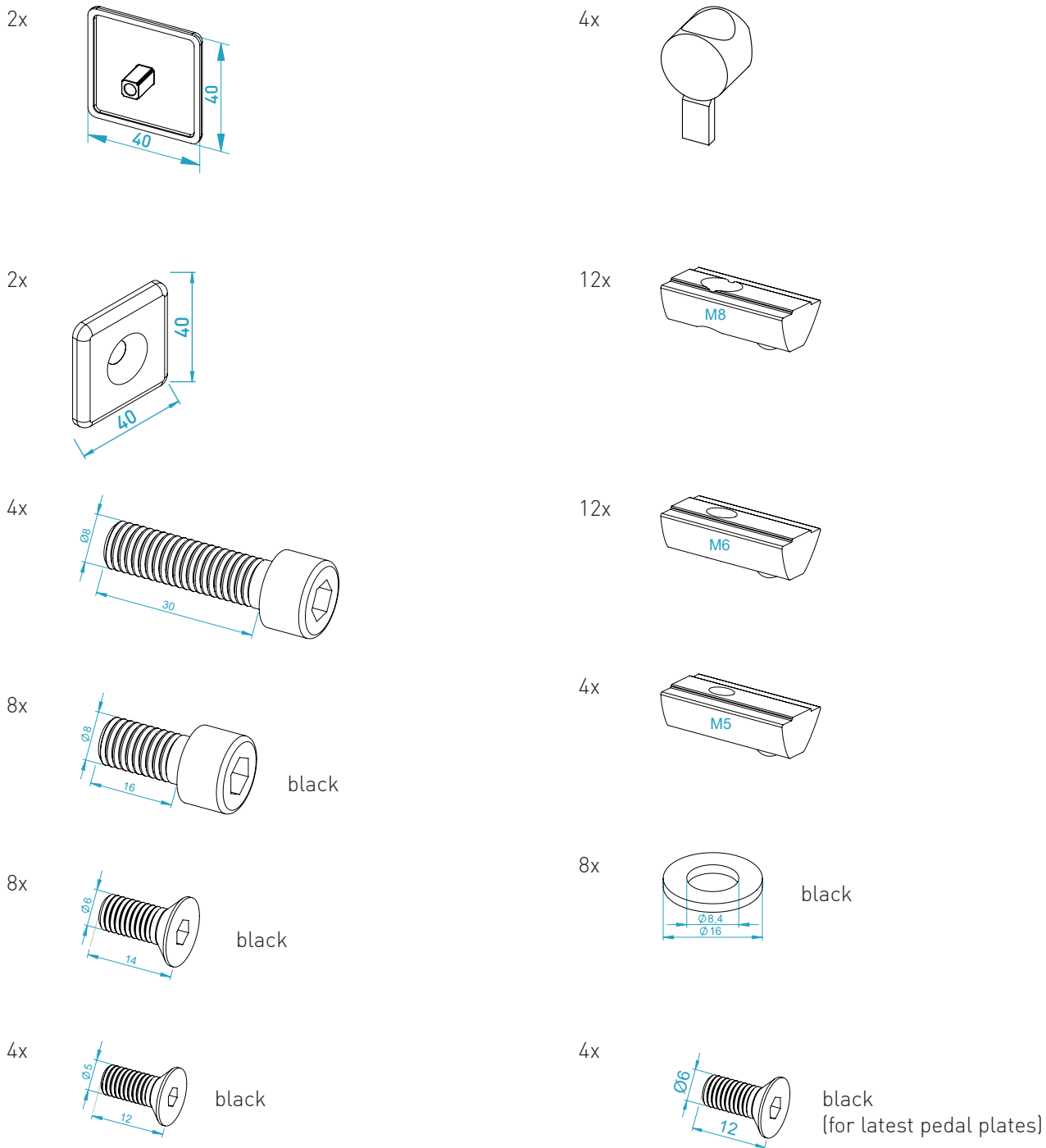
PARTS - PEDALS / RUDDER

[dimensions in mm / different scales]



Pedal mounting plate as ordered. Hole pattern could change by updates

BAG 3 (pedals / rudder)



BAG 4

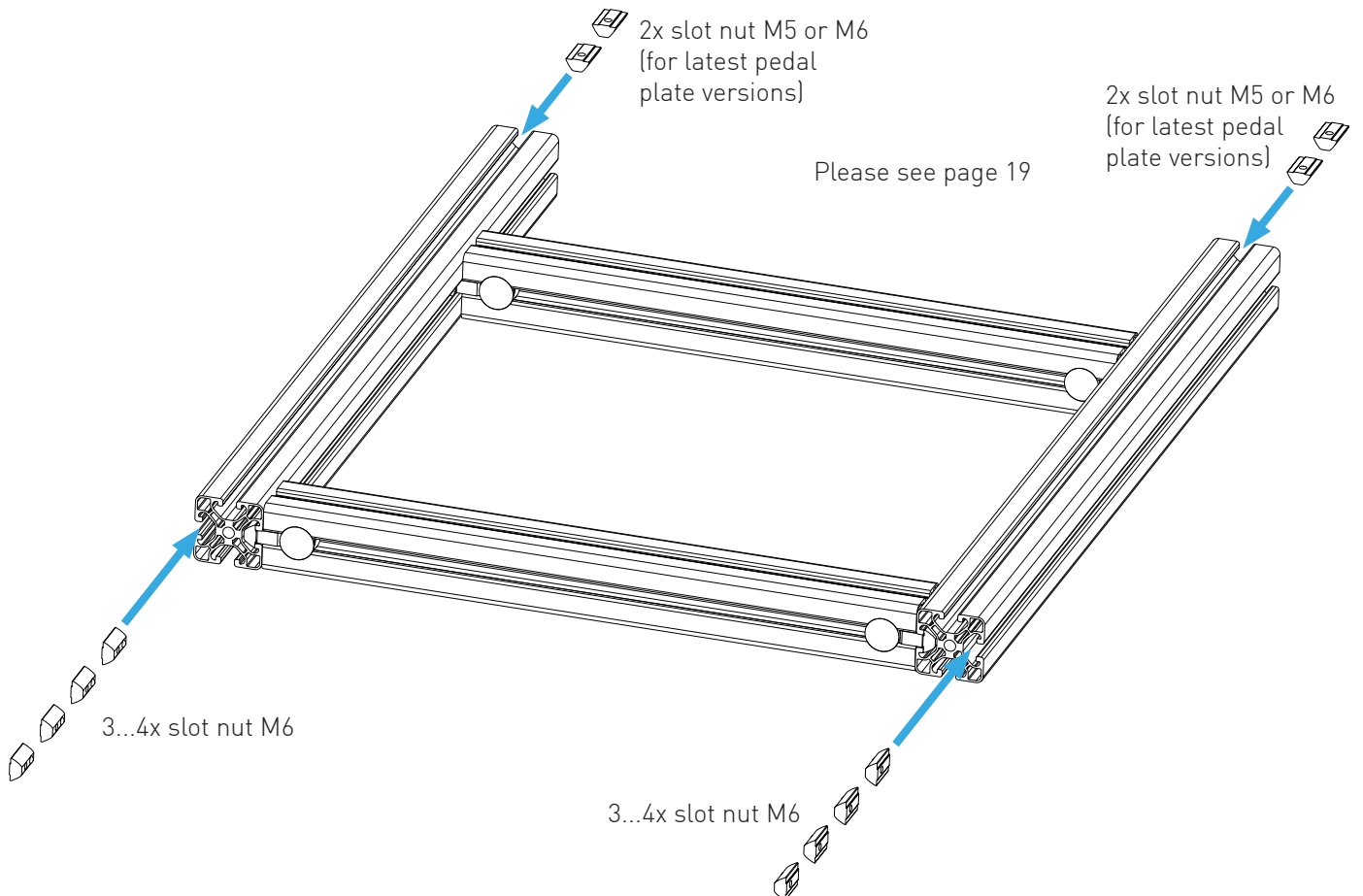
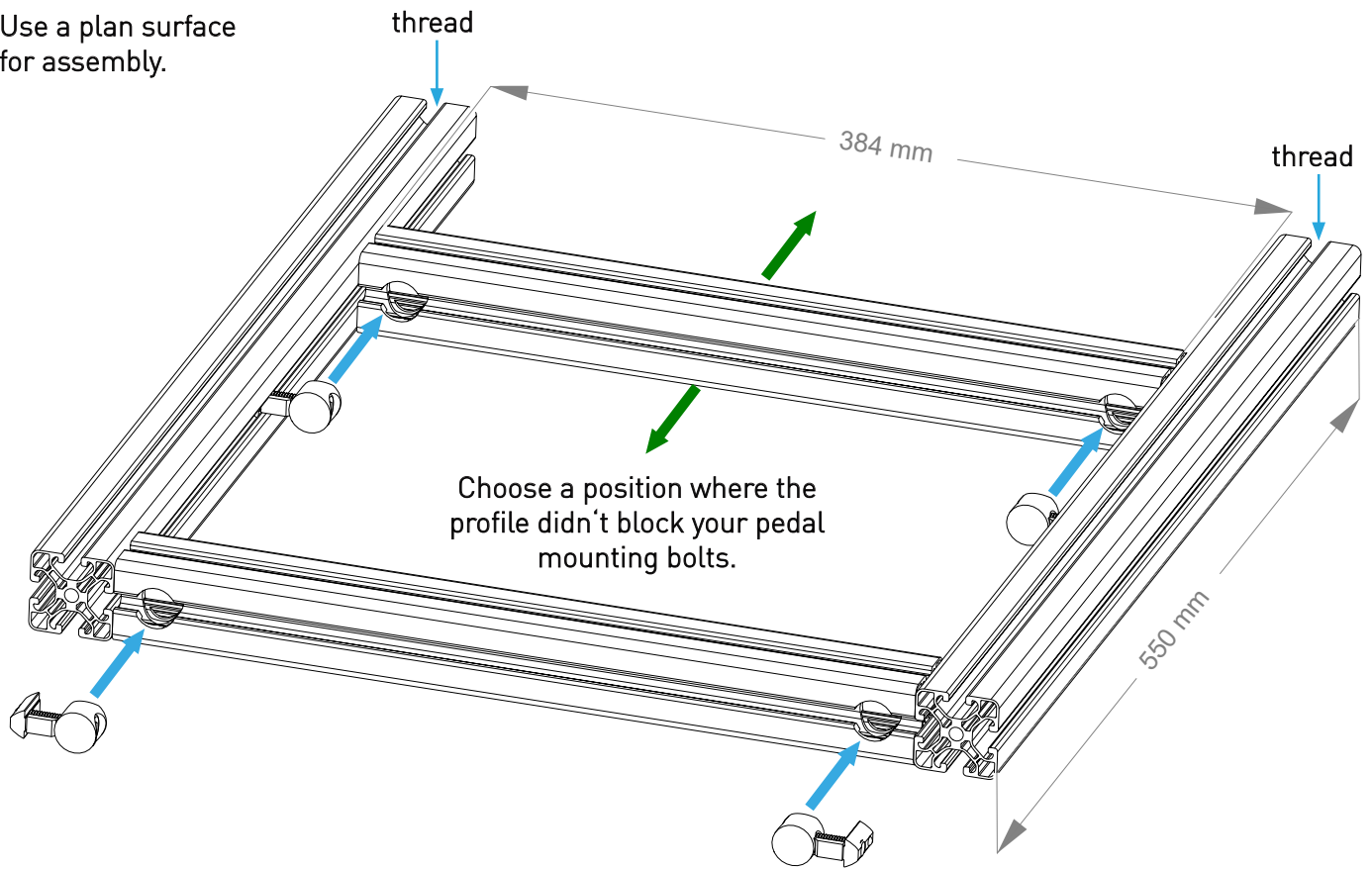
with various bolts and nuts for mounting your pedals.

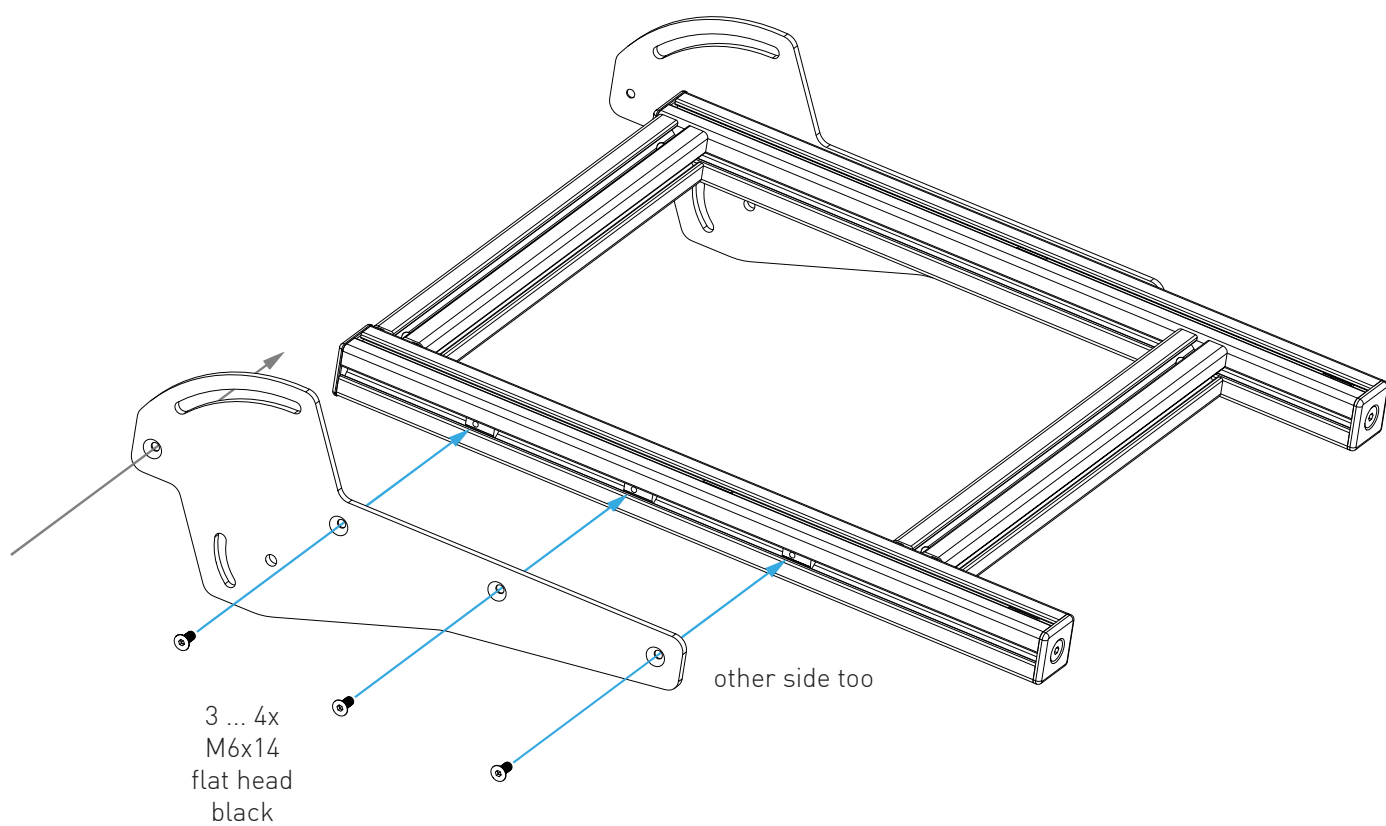
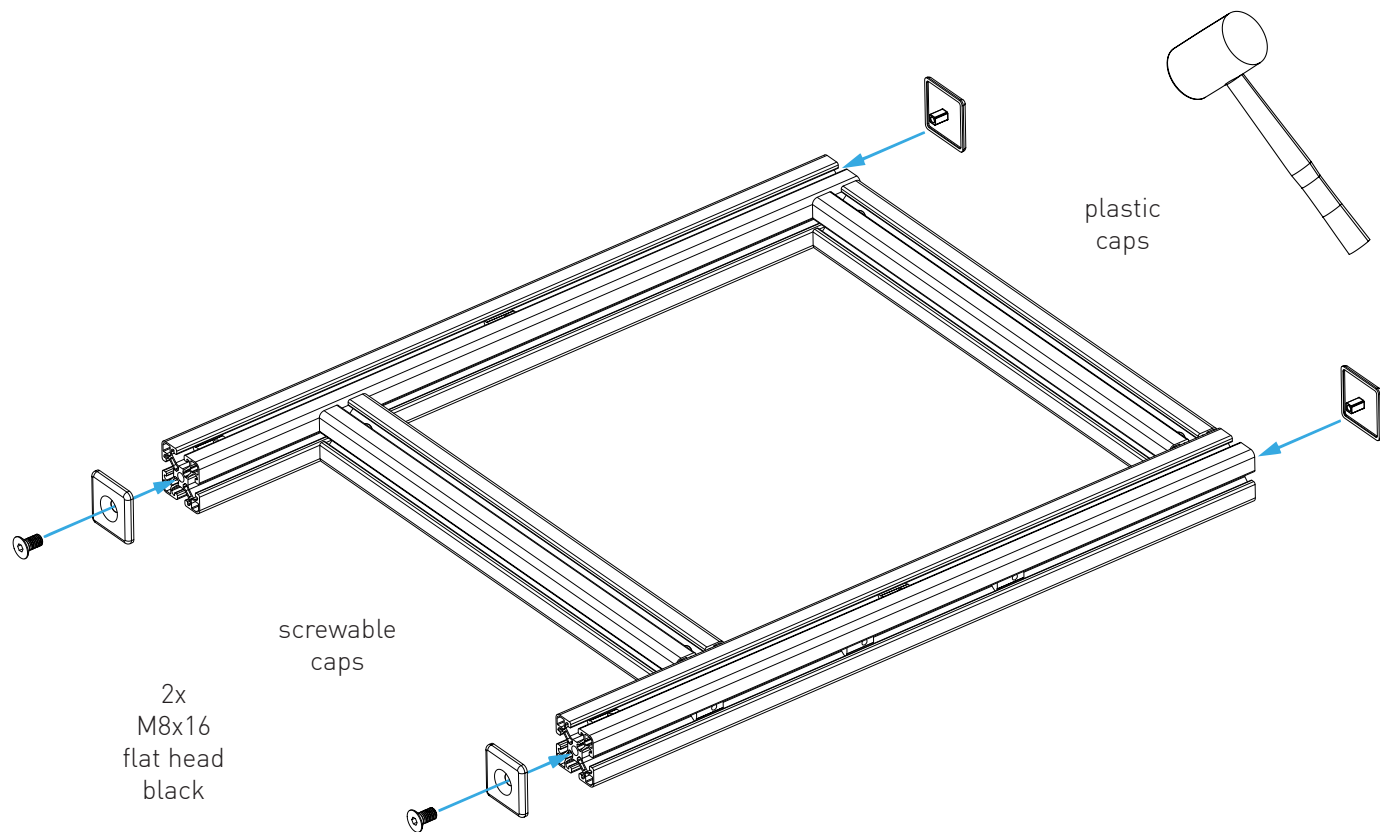
BAG 5

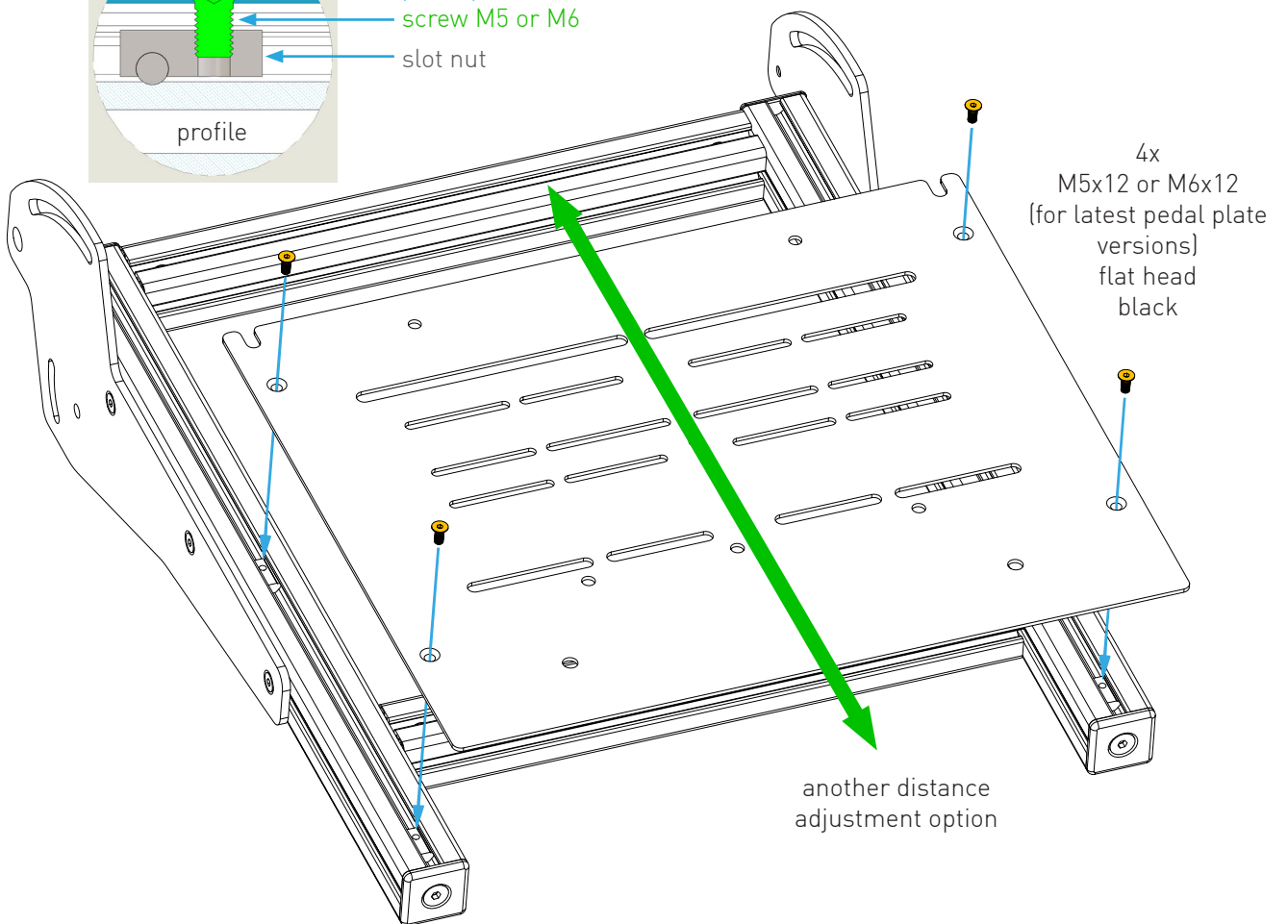
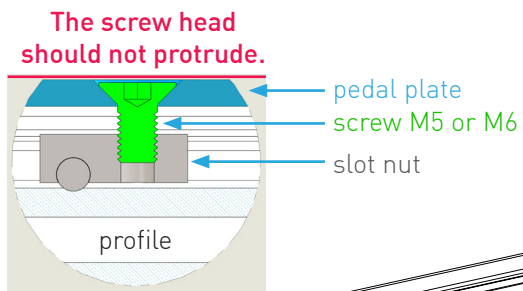
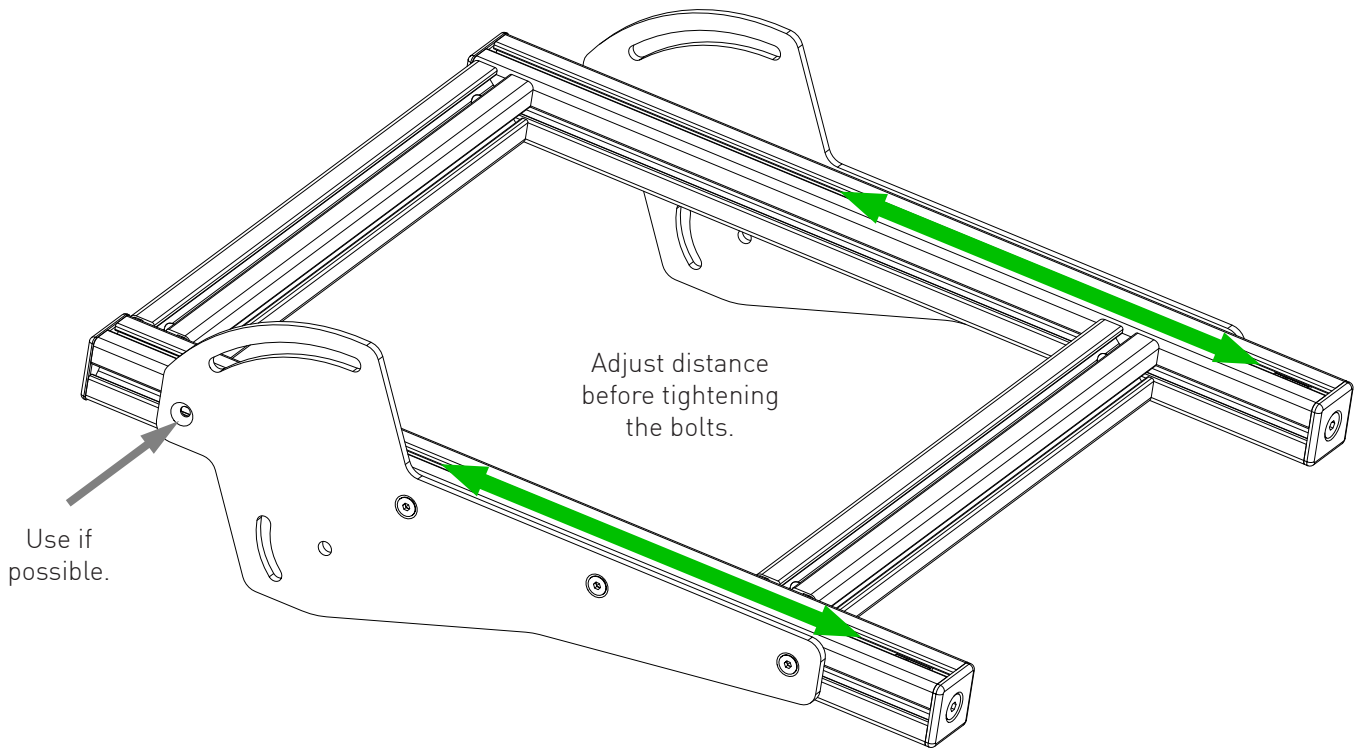
various tools

ASSEMBLY

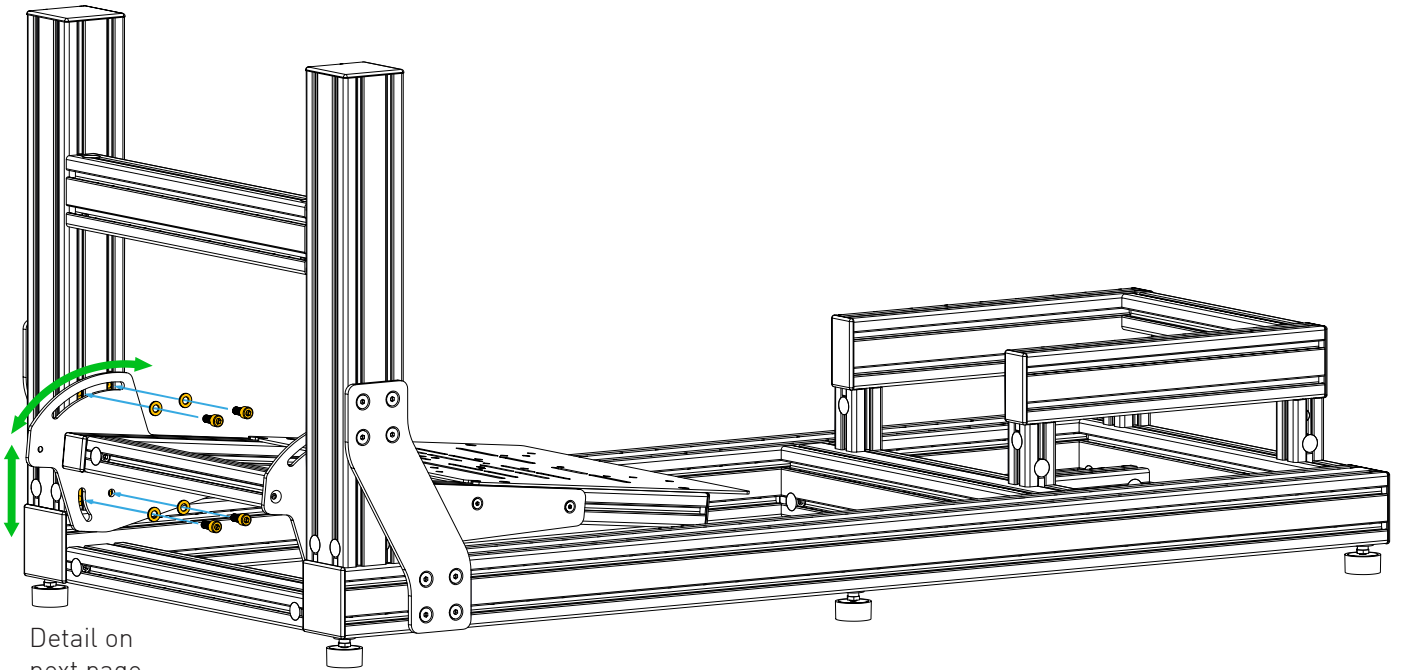
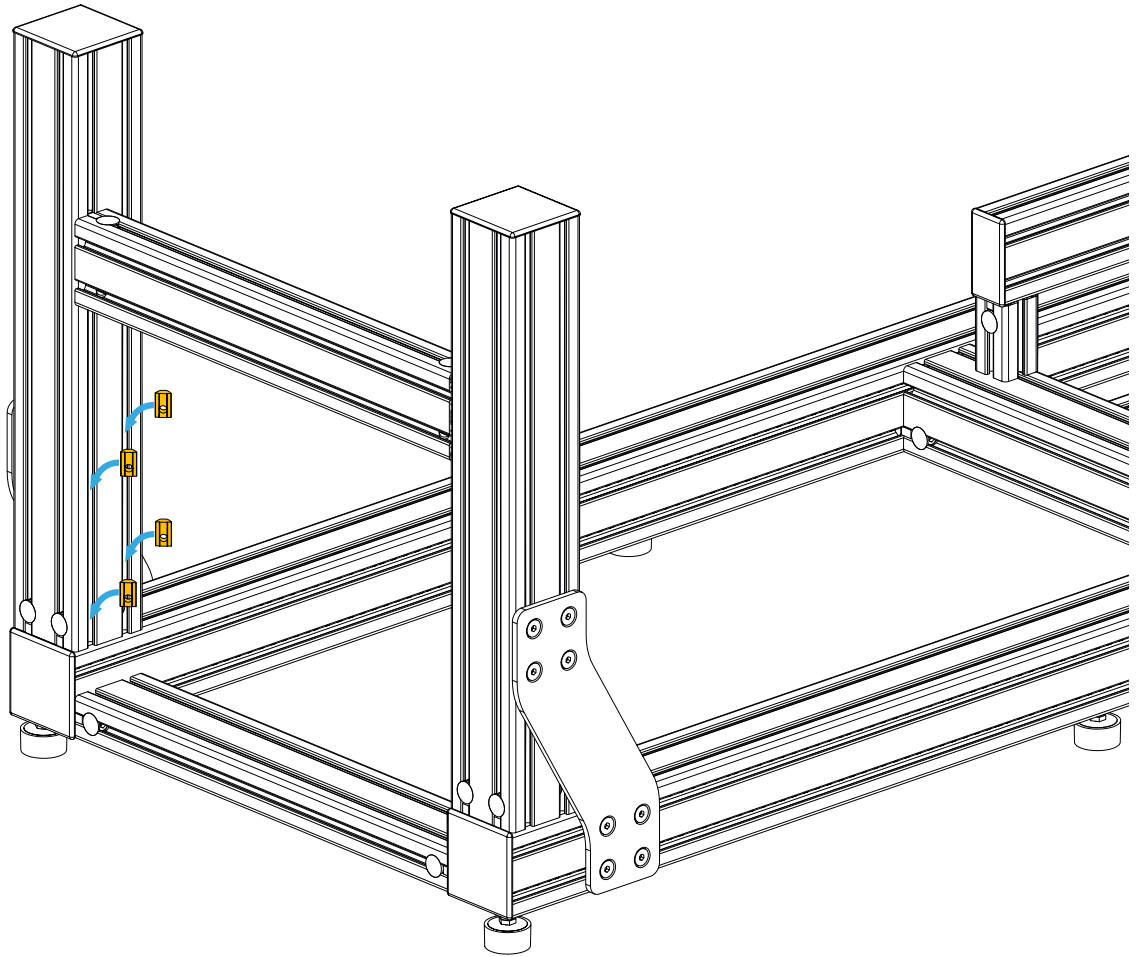
Use a plan surface for assembly.







4x
slot nut
M8
both sides

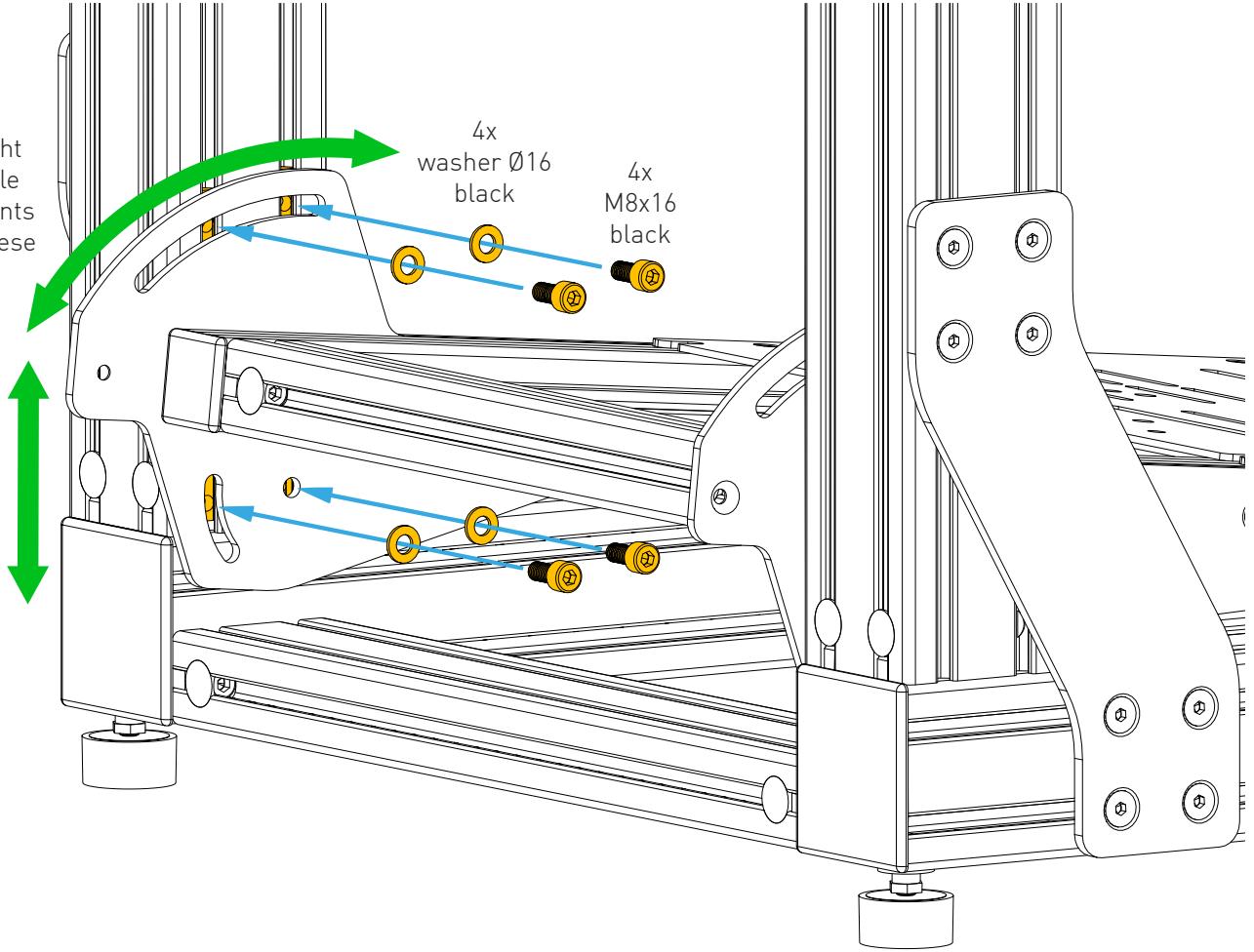


Detail on
next page.

Detail

other side too

For height
and angle
adjustments
loosen these
bolts.

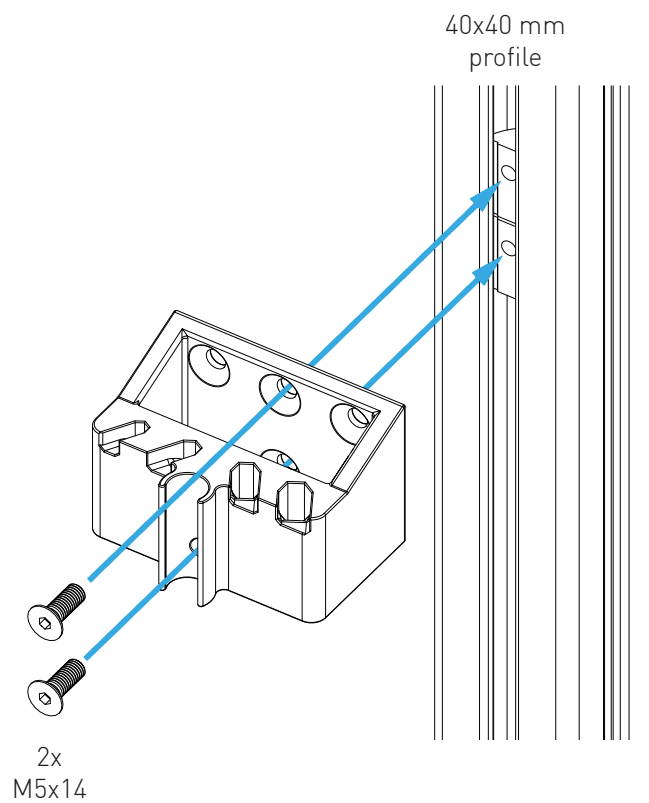
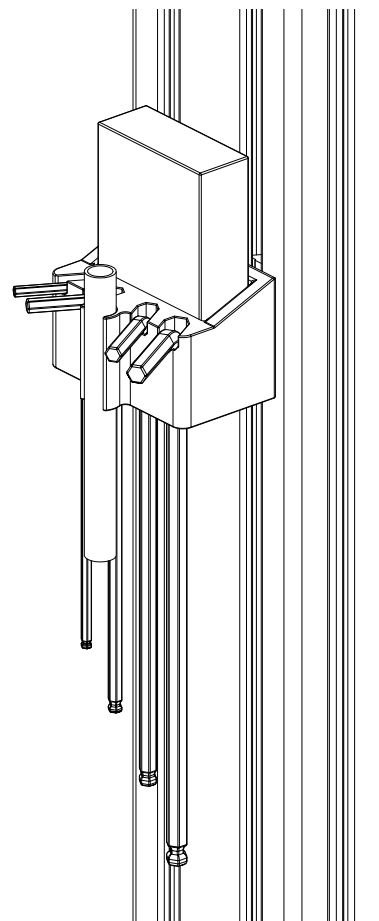
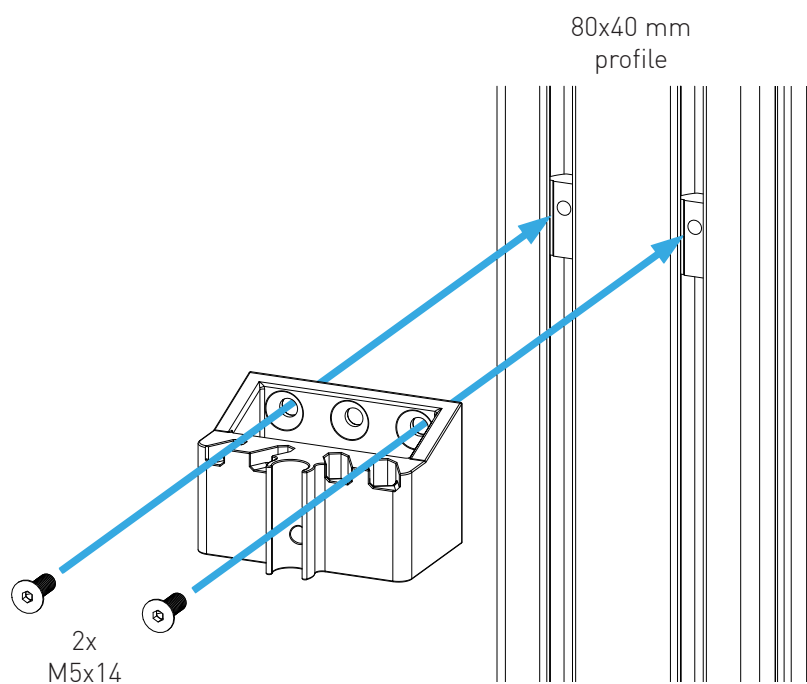


4x
washer Ø16
black

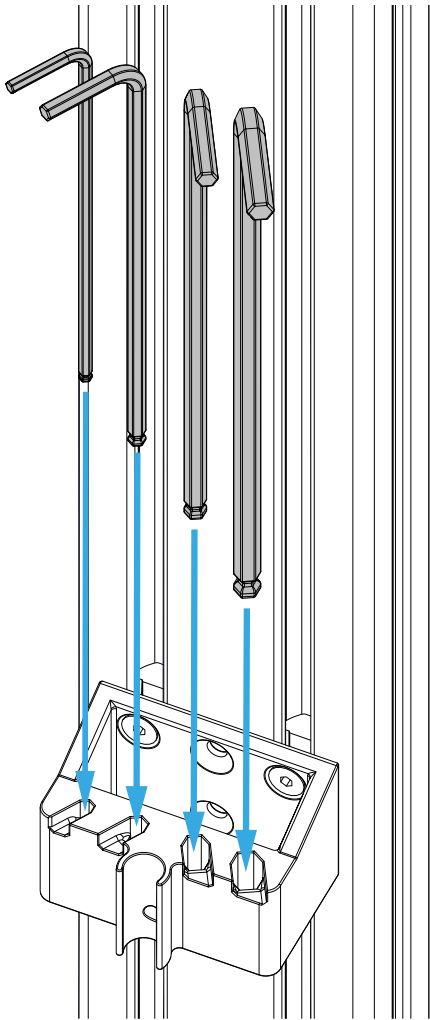
4x
M8x16
black

TOOL HOLDER

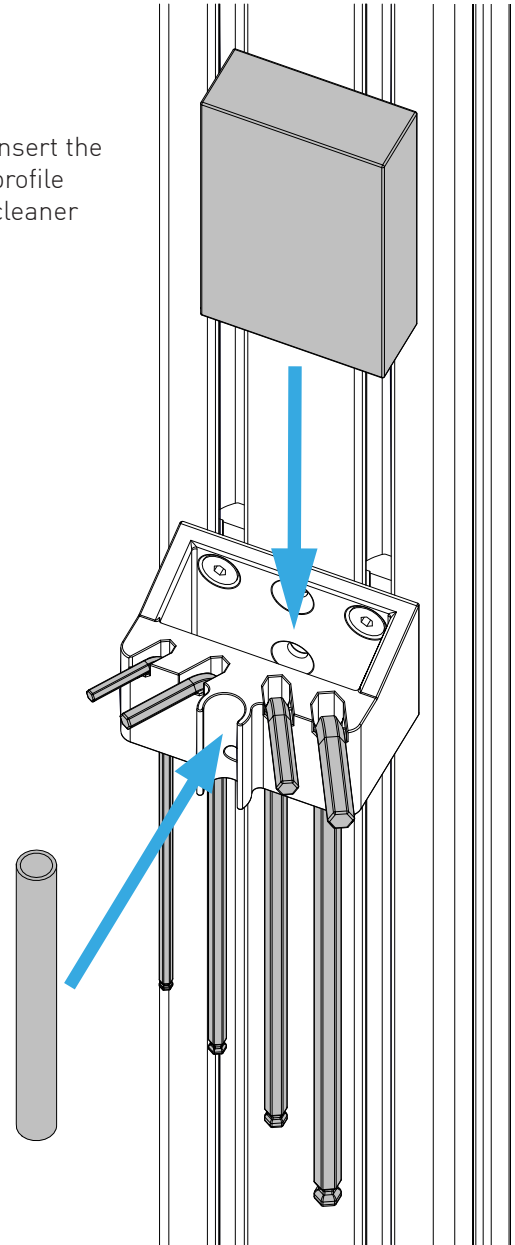
Mount the tool holder at any place you like.



insert the
hex keys



insert the
profile
cleaner



snap in the
extension
pipe

