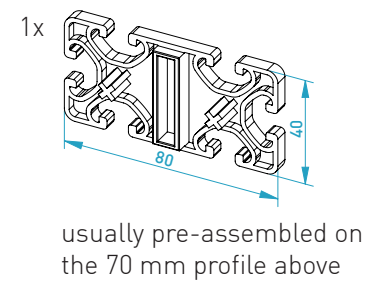
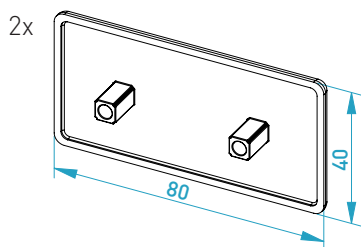
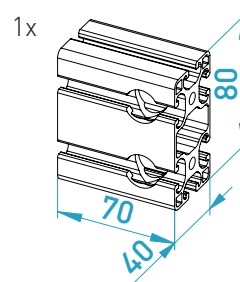
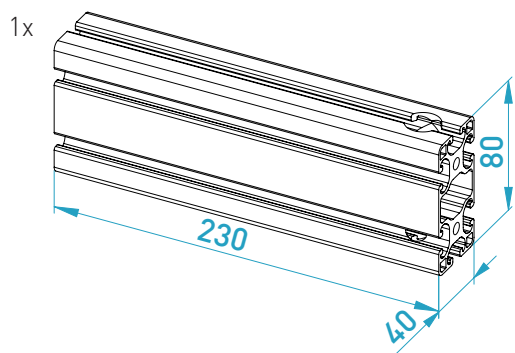
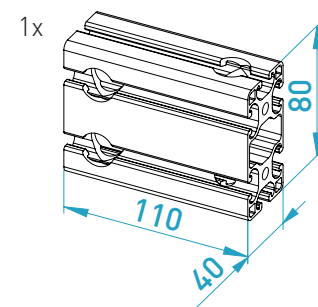
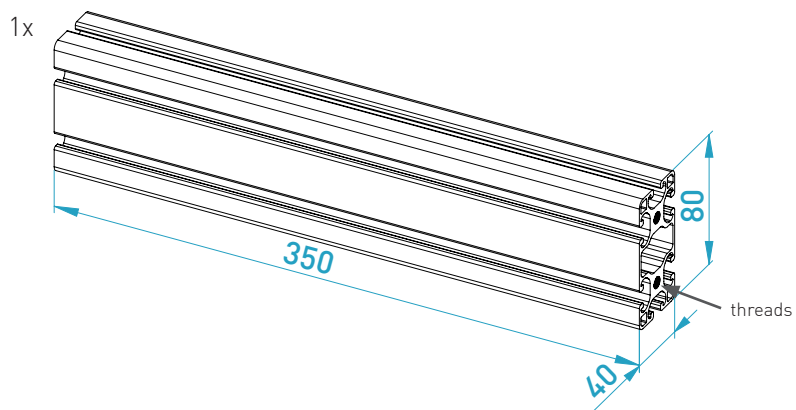
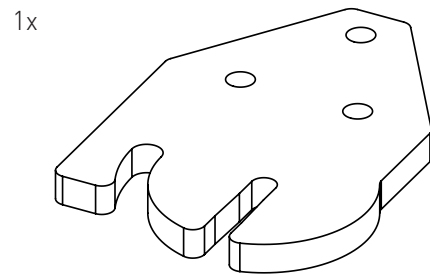
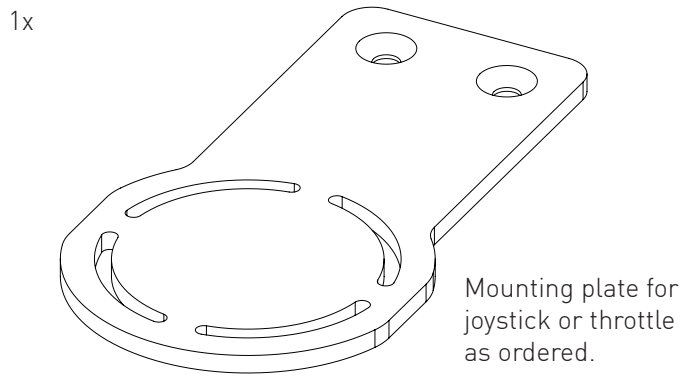


MTS HOTAS JOYSTICK / THROTTLE

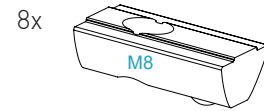
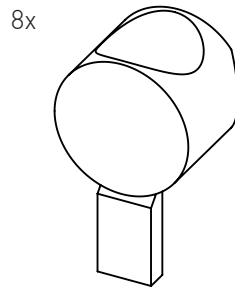
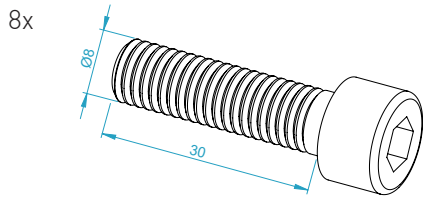
Instruction Manual
Bedienungsanleitung
Mode d'emploi

PARTS

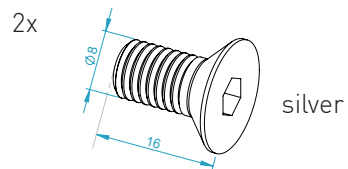
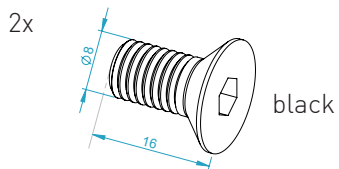
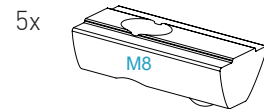
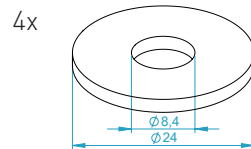
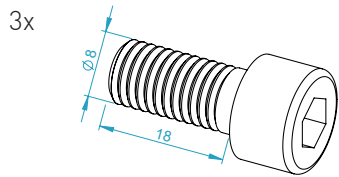
[dimensions in mm / different scales]
No extra or spare parts listed!



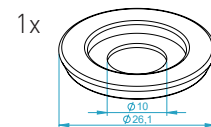
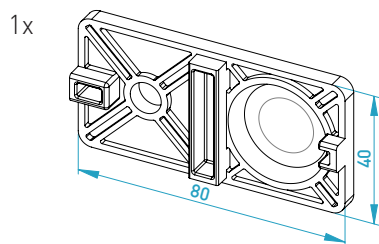
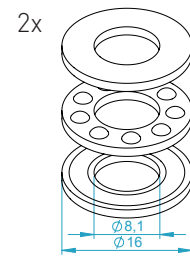
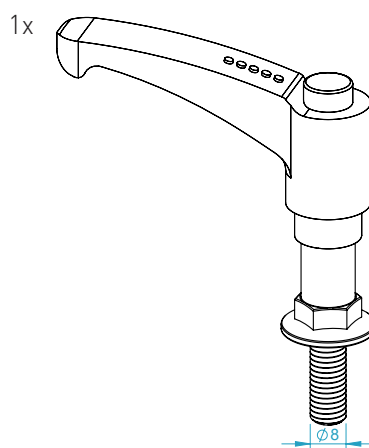
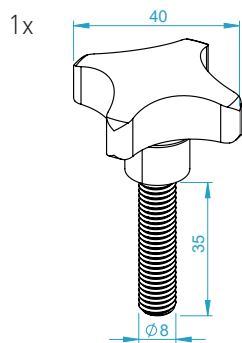
BAG 1



BAG 2



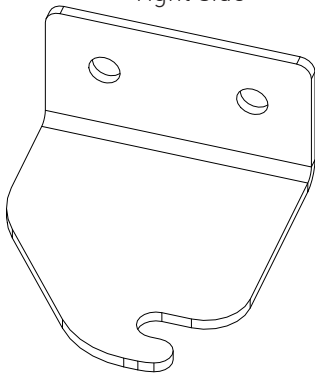
SWIVEL ADAPTER



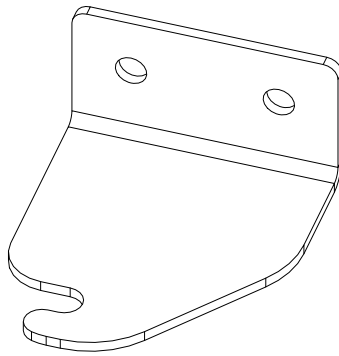
MTS HOTAS Swivel Extra Plate Kit

1x

right side

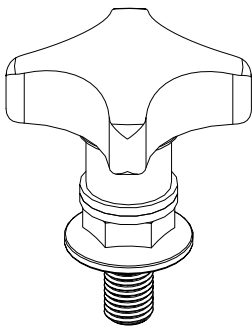


left side

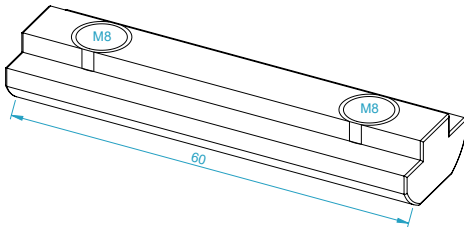


One bracket for left OR right side as ordered.

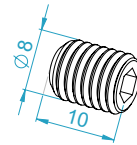
1x



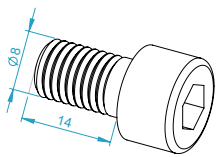
1x



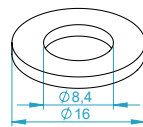
1x



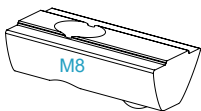
2x



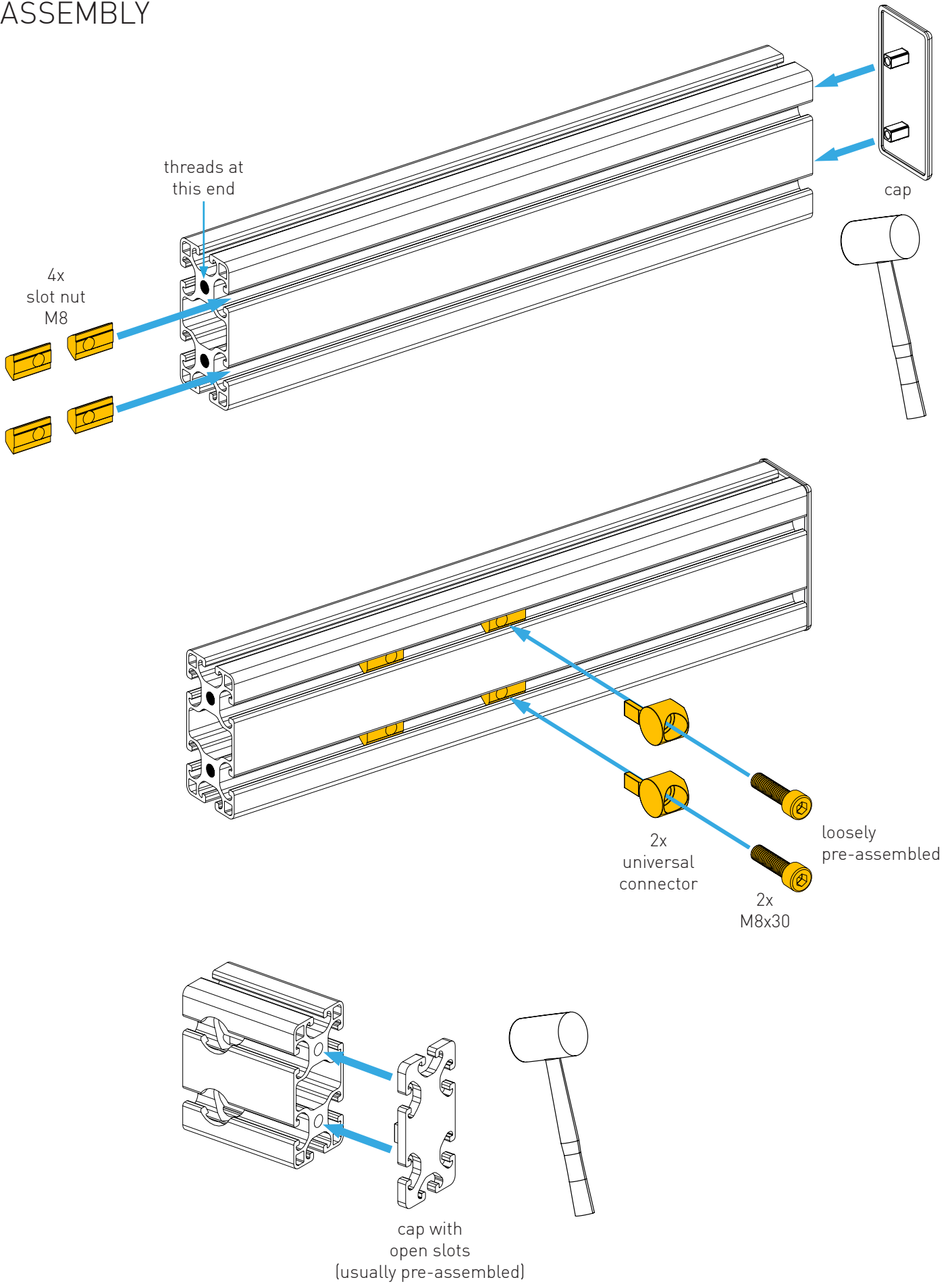
2x

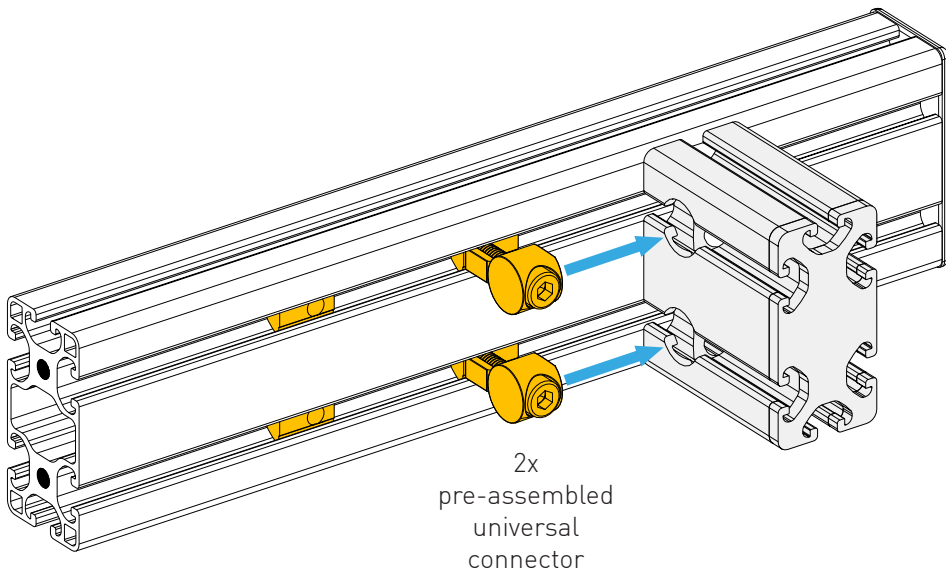


2x

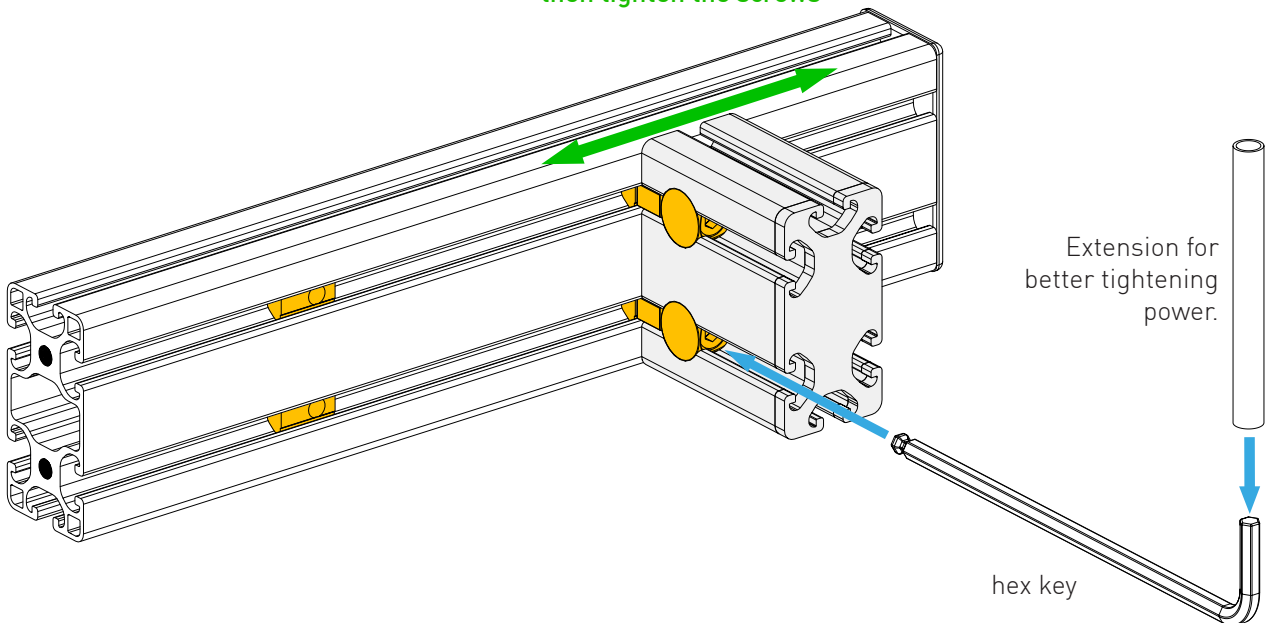


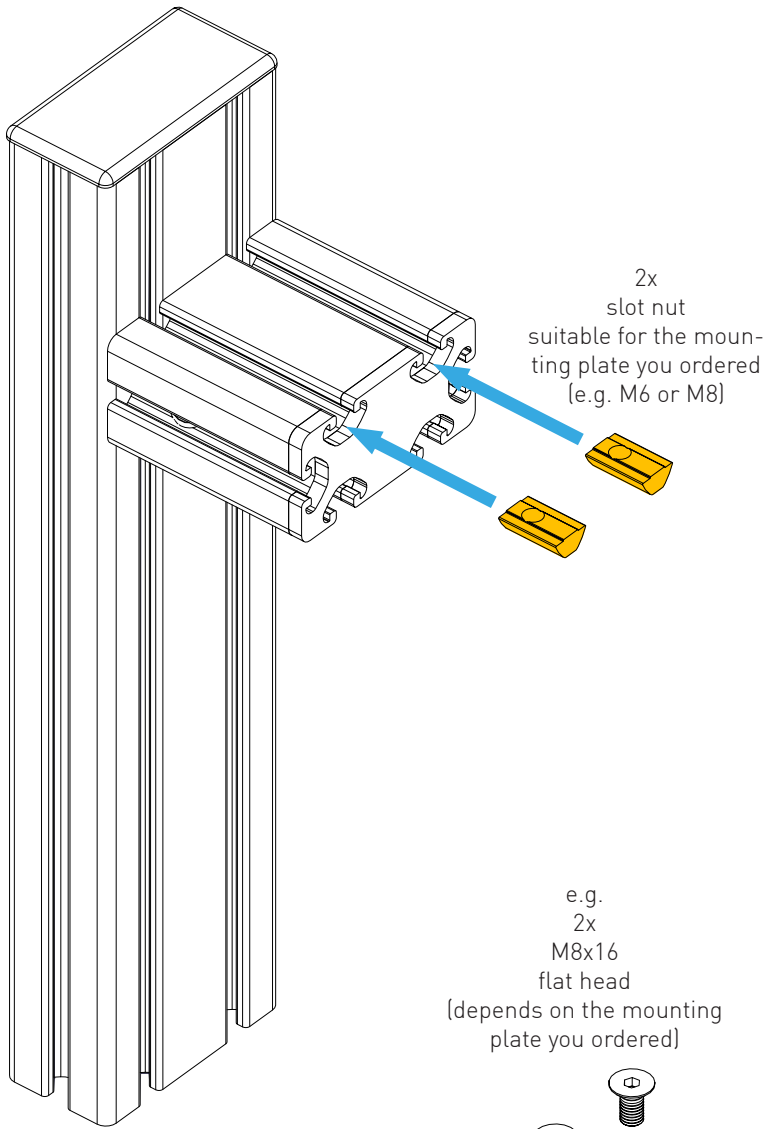
ASSEMBLY



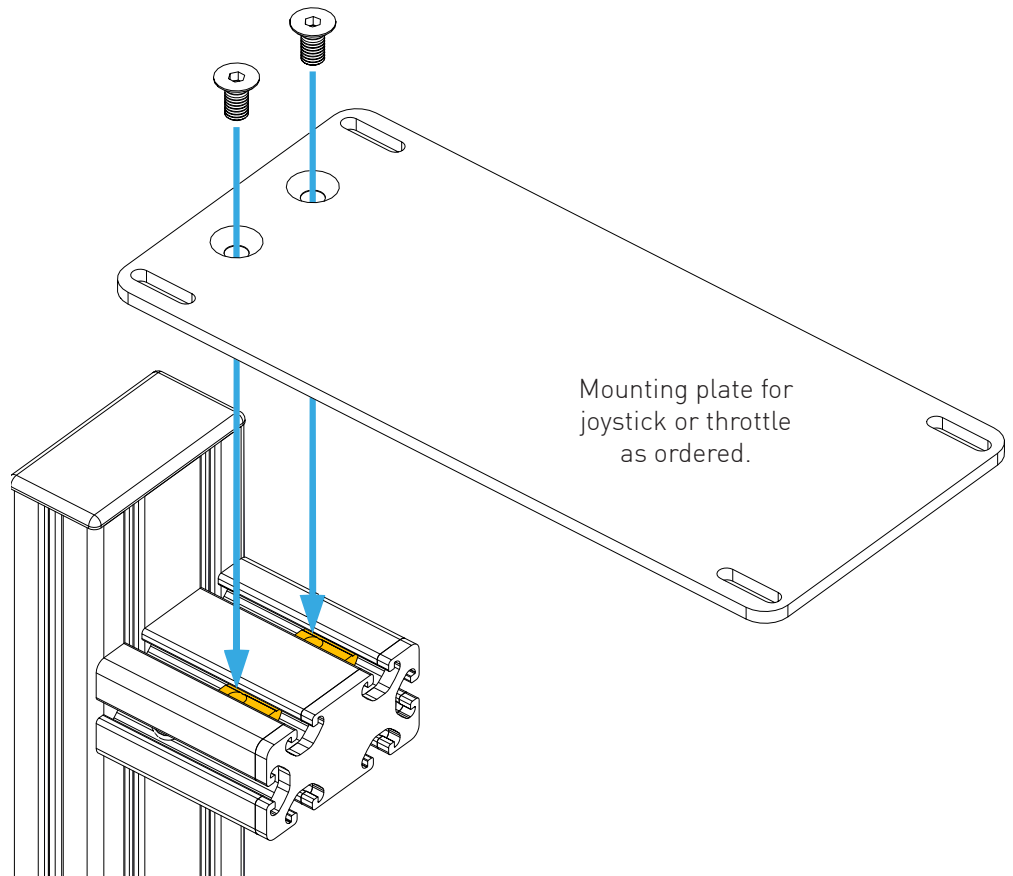


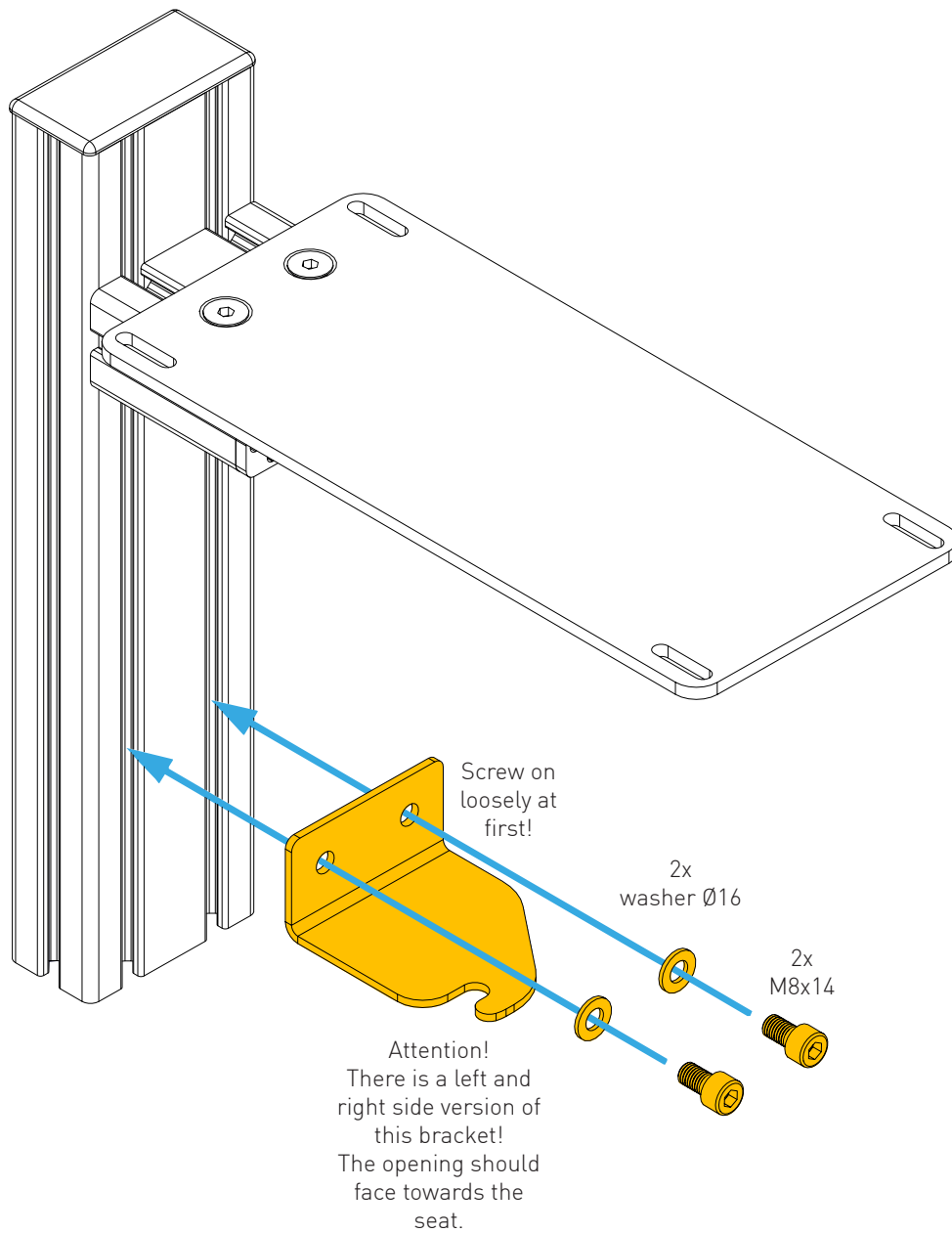
choose position
(height positioning)
then tighten the screws

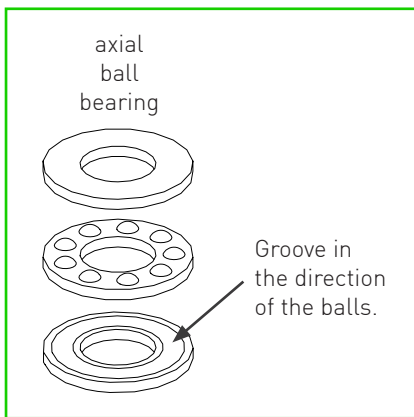
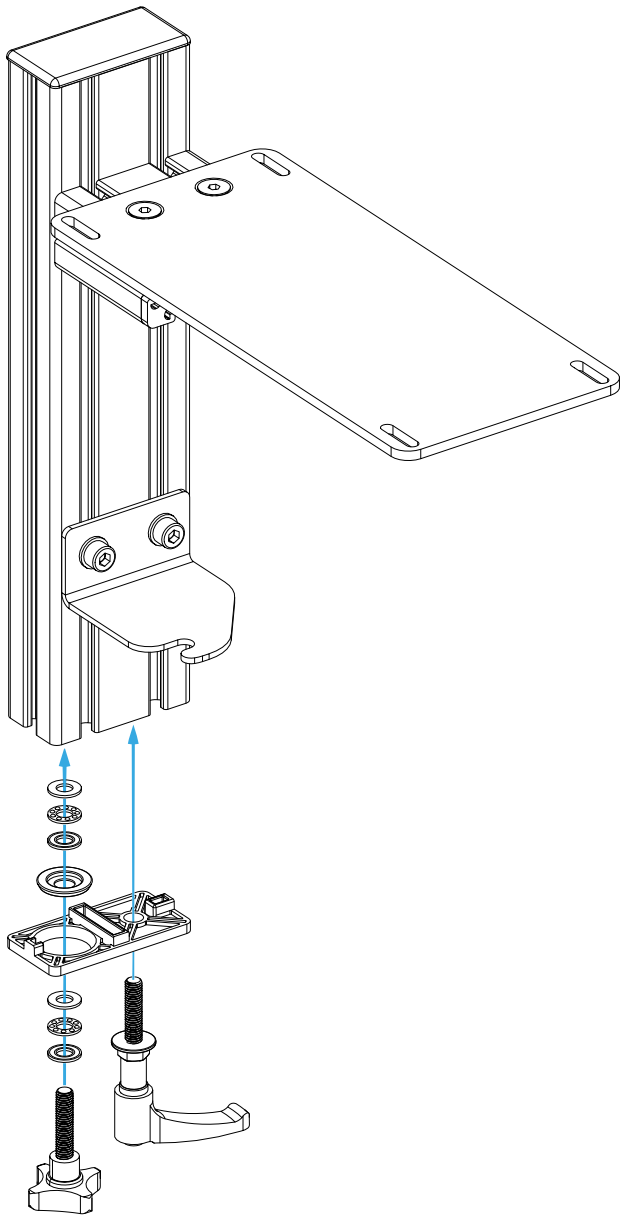




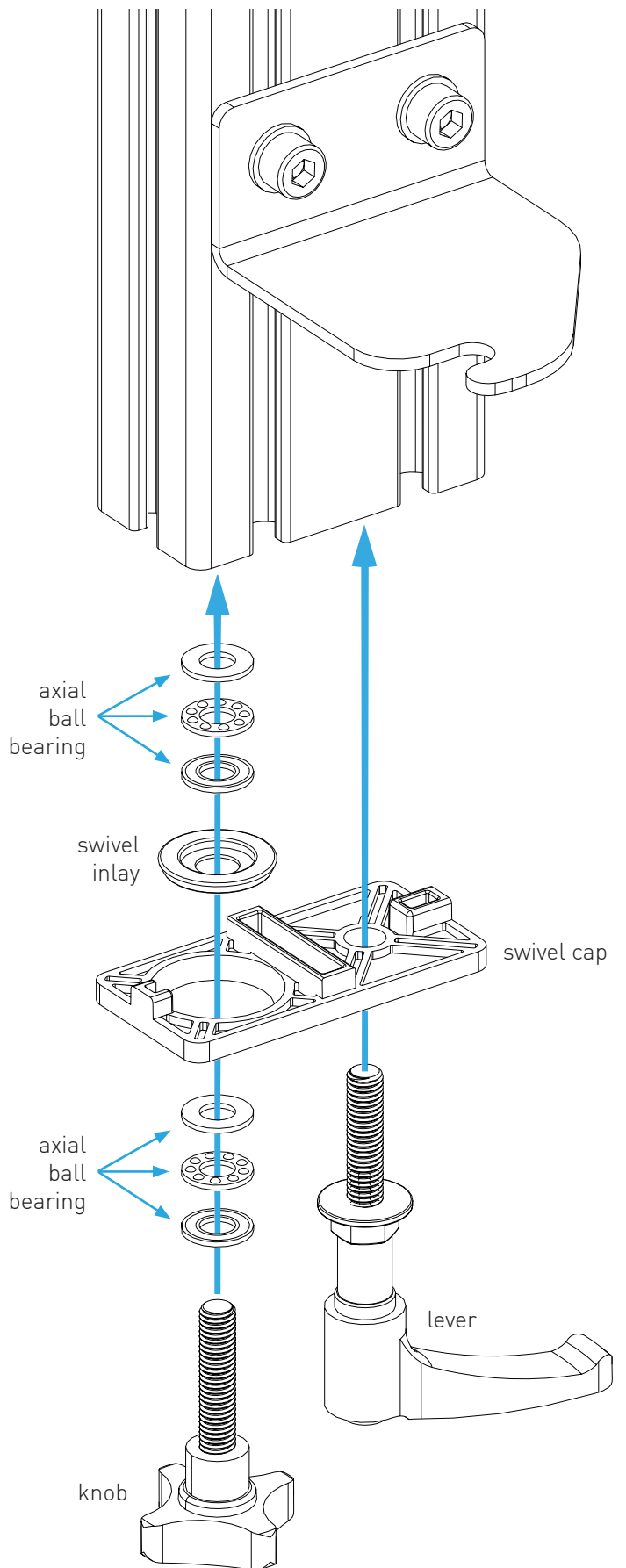
e.g.
2x
M8x16
flat head
(depends on the mounting
plate you ordered)



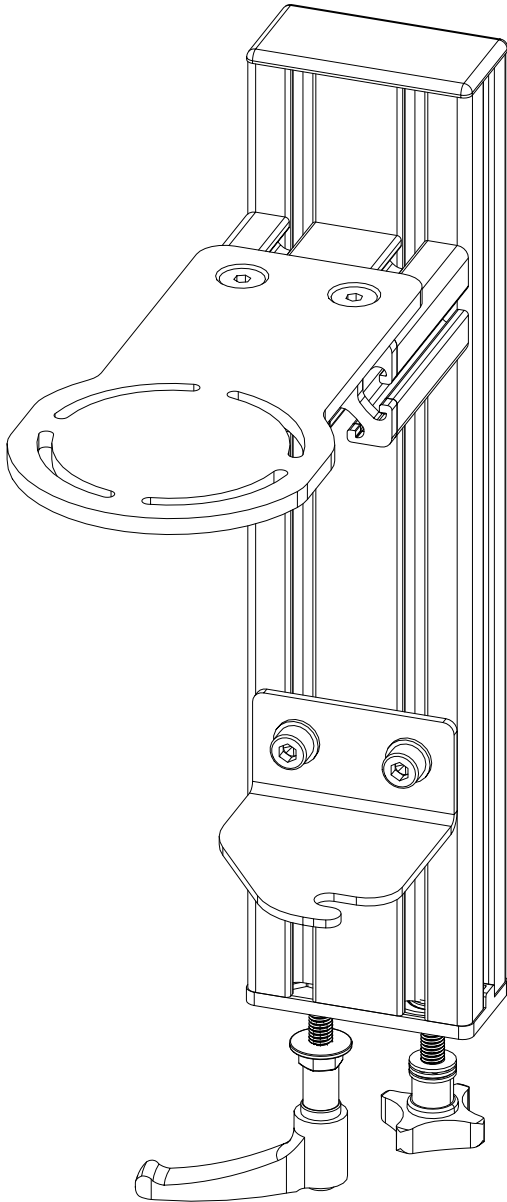




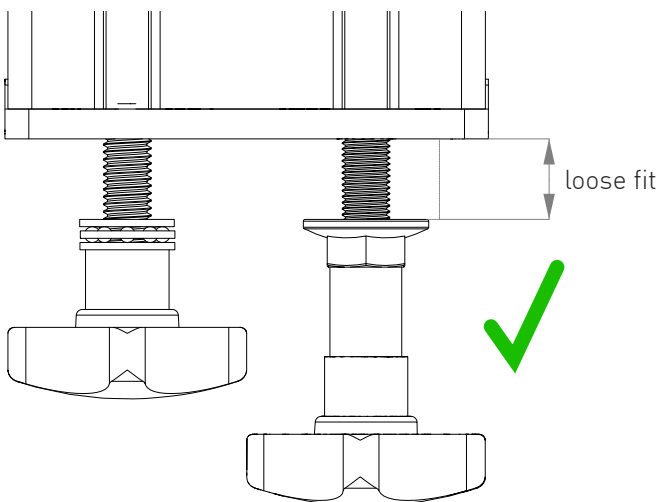
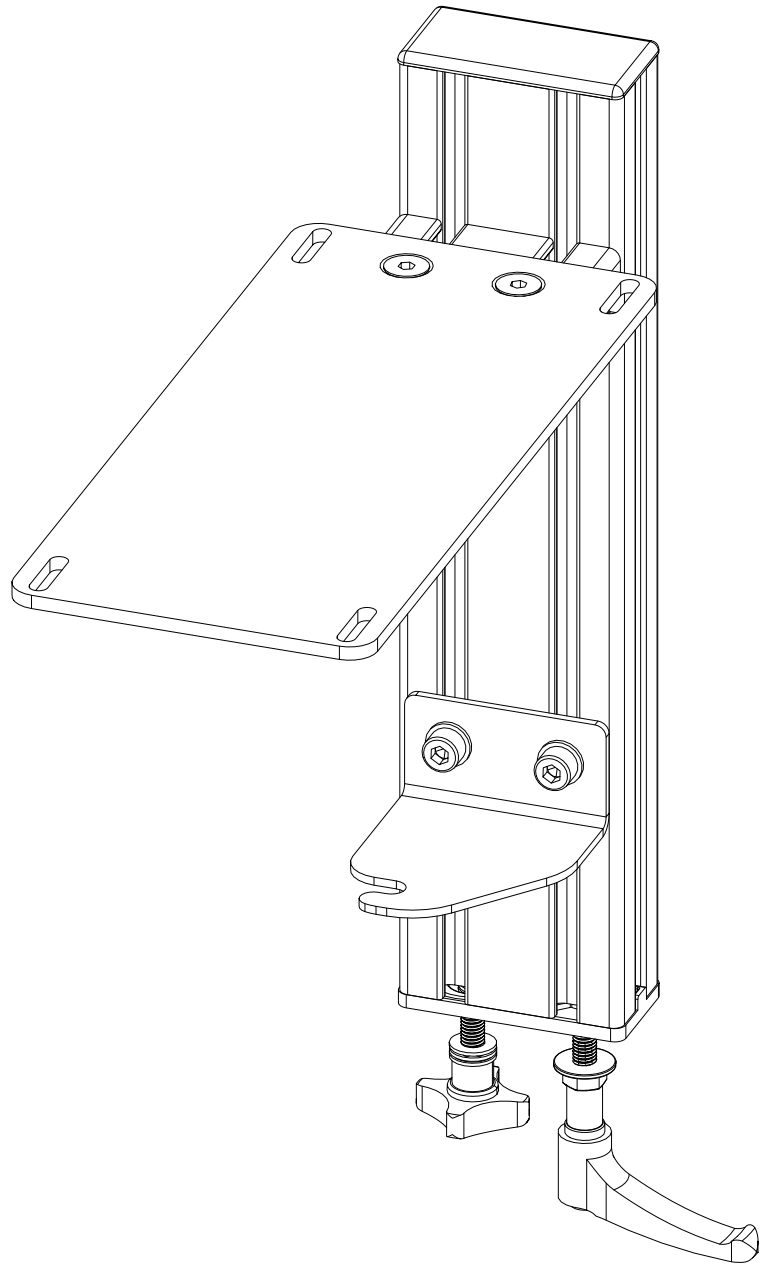
detailed view

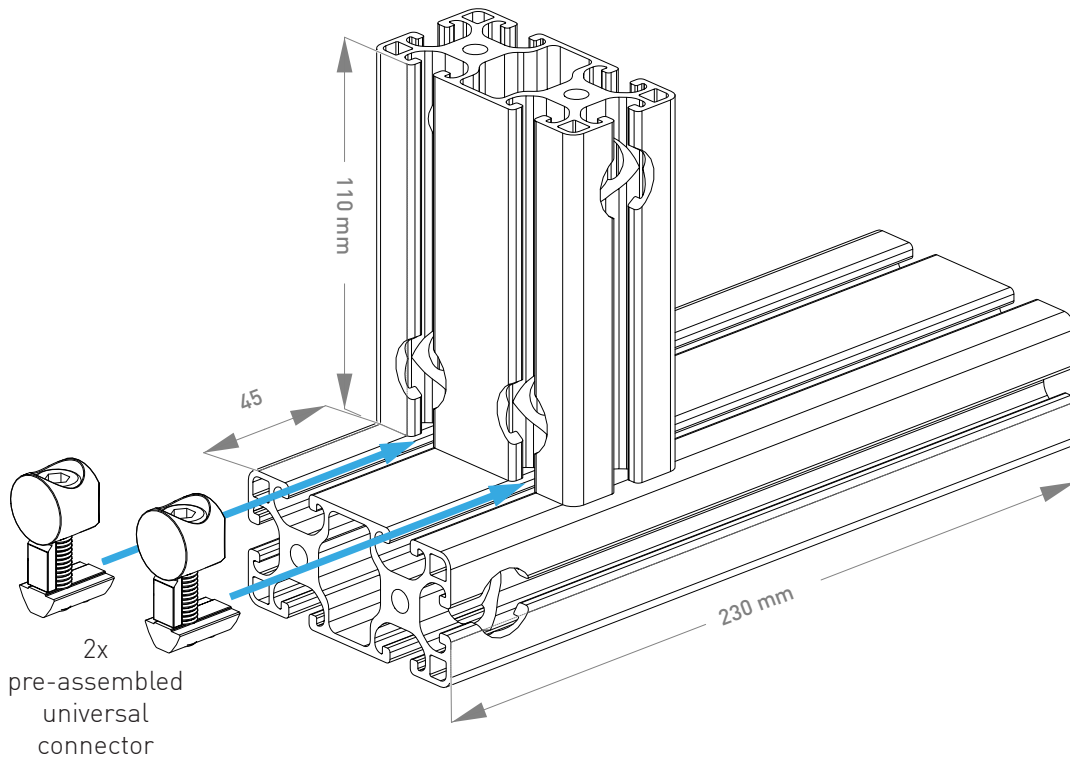


Assembly for the right side of the rig.

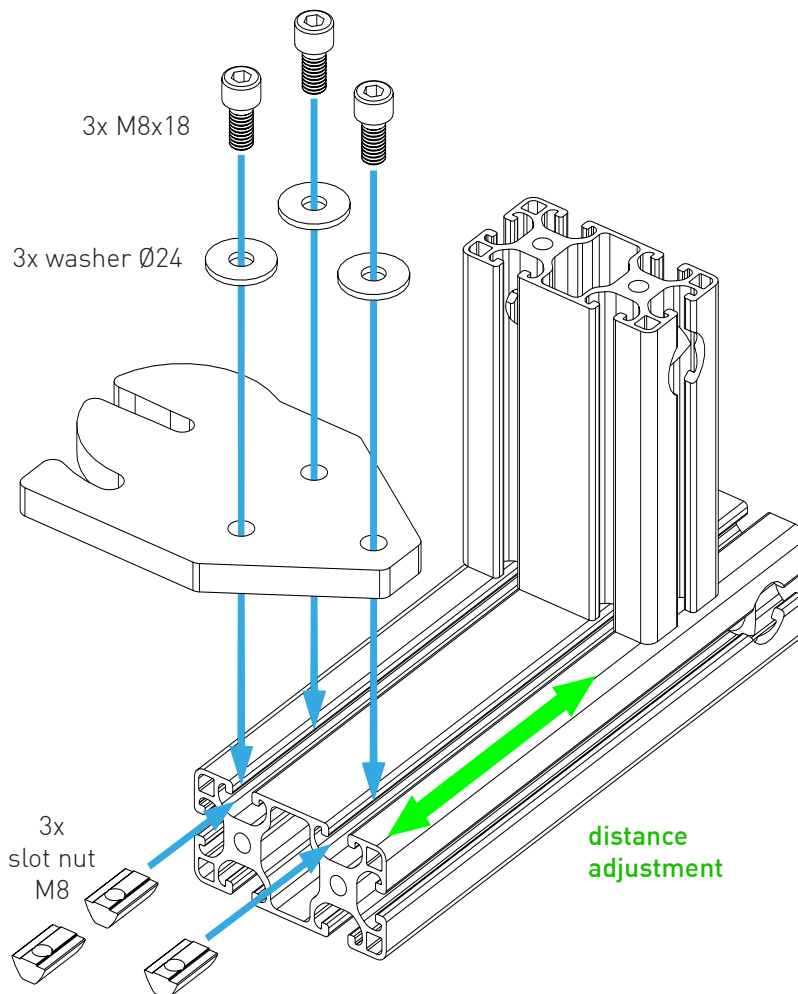


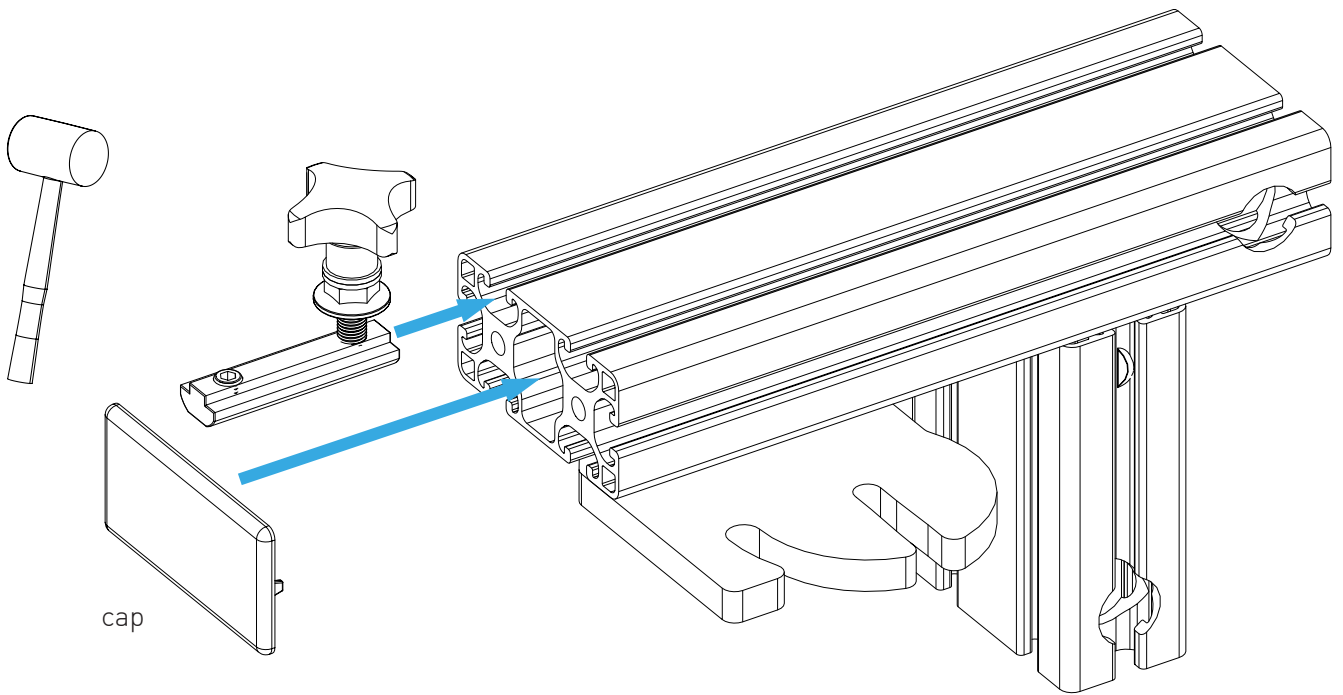
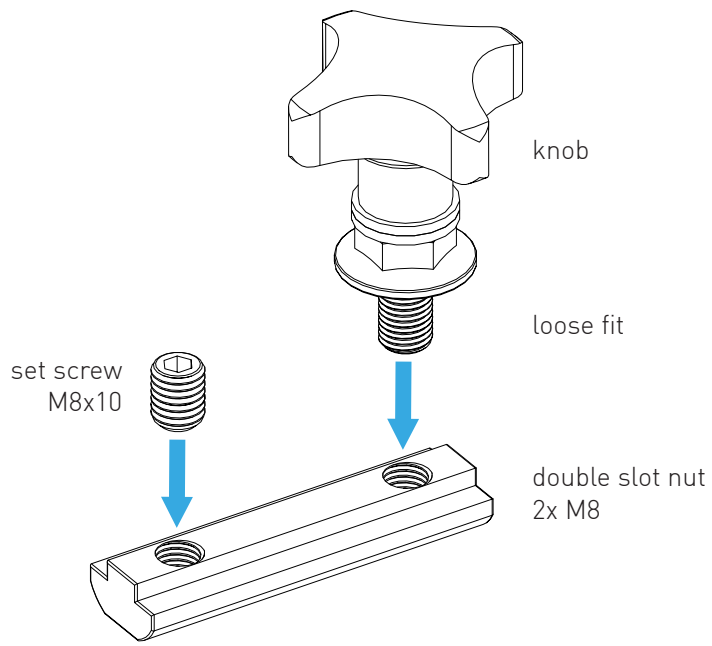
Assembly for the left side of the rig.

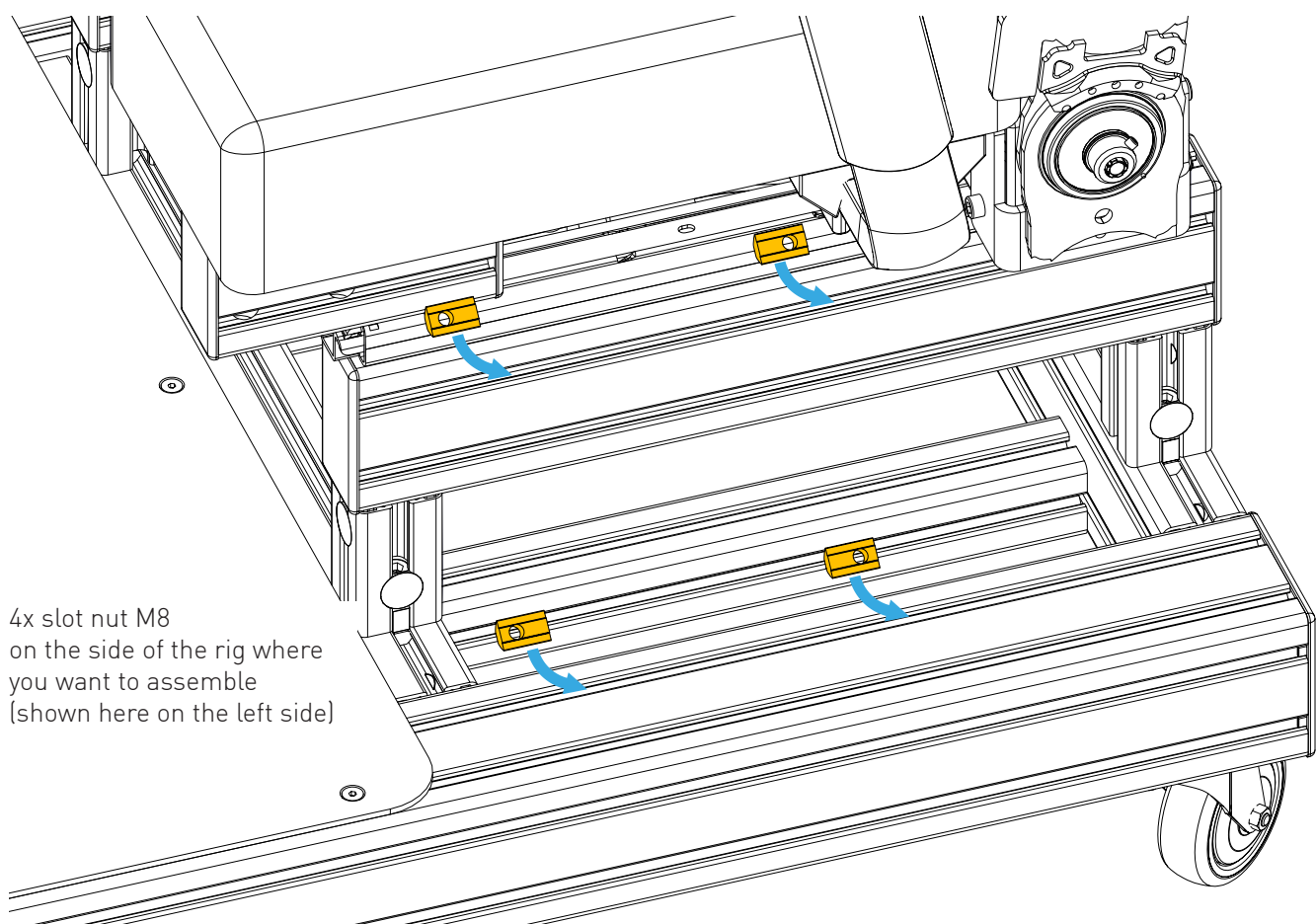
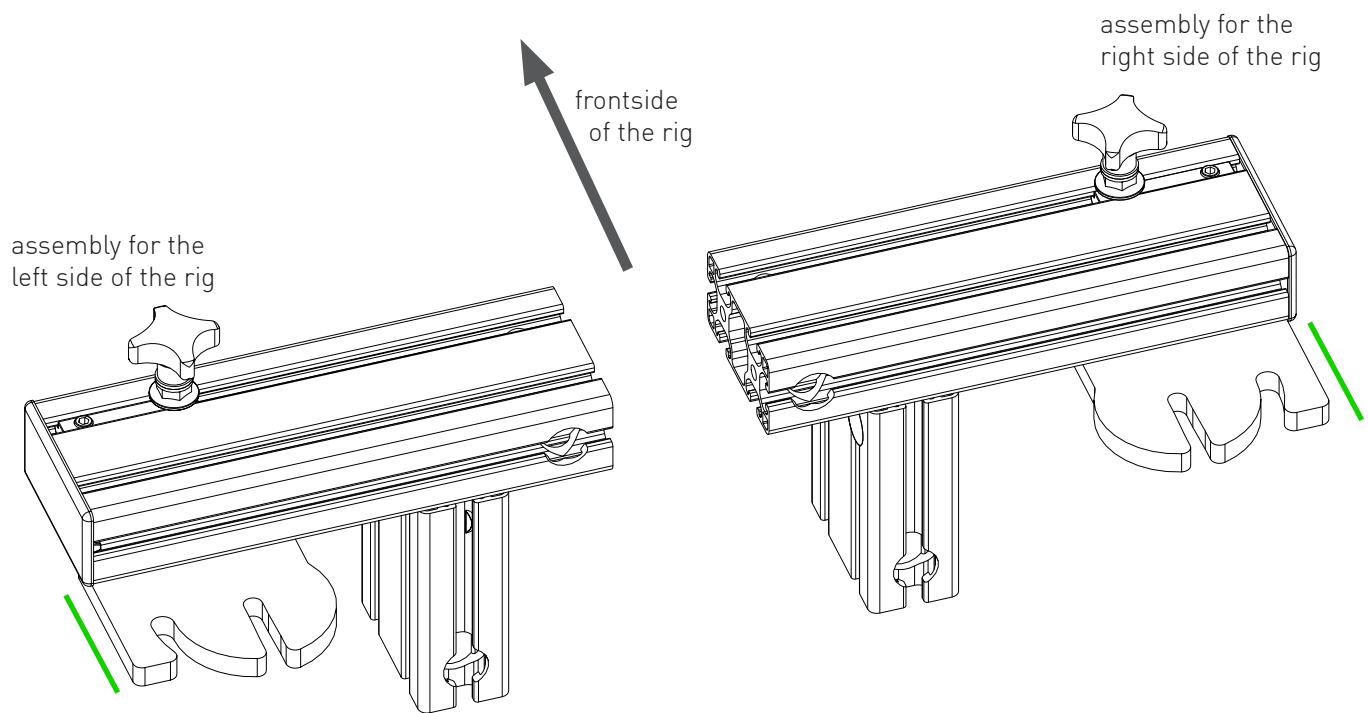


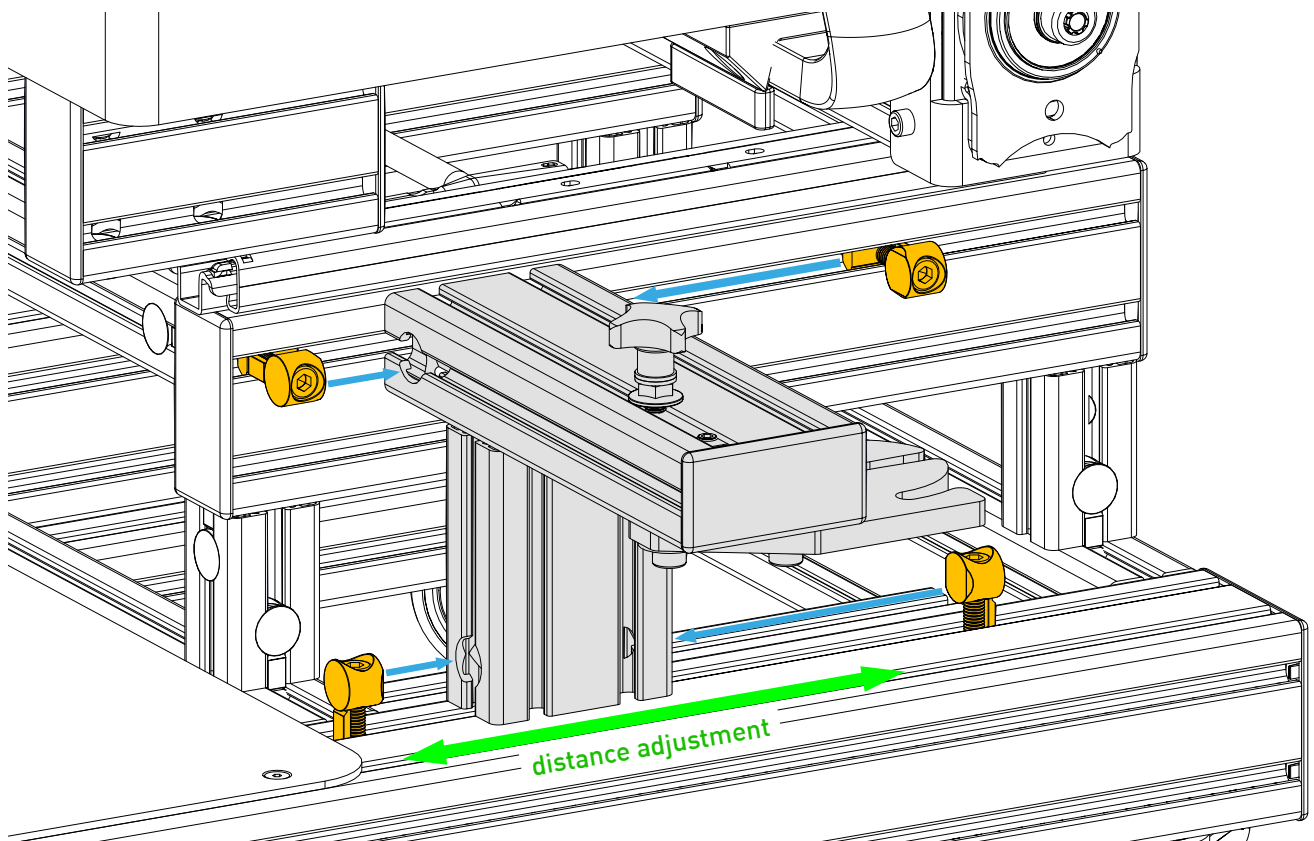
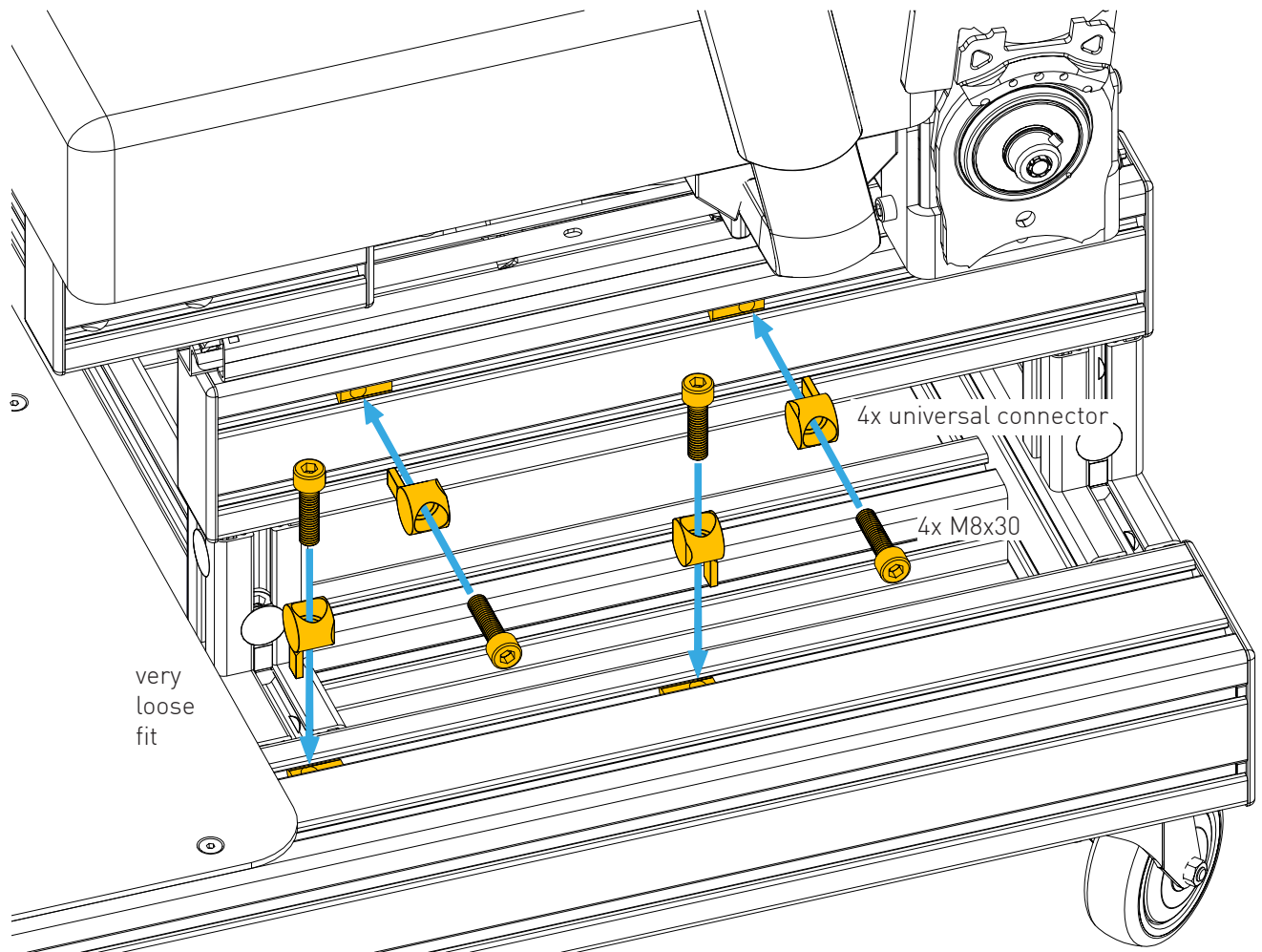


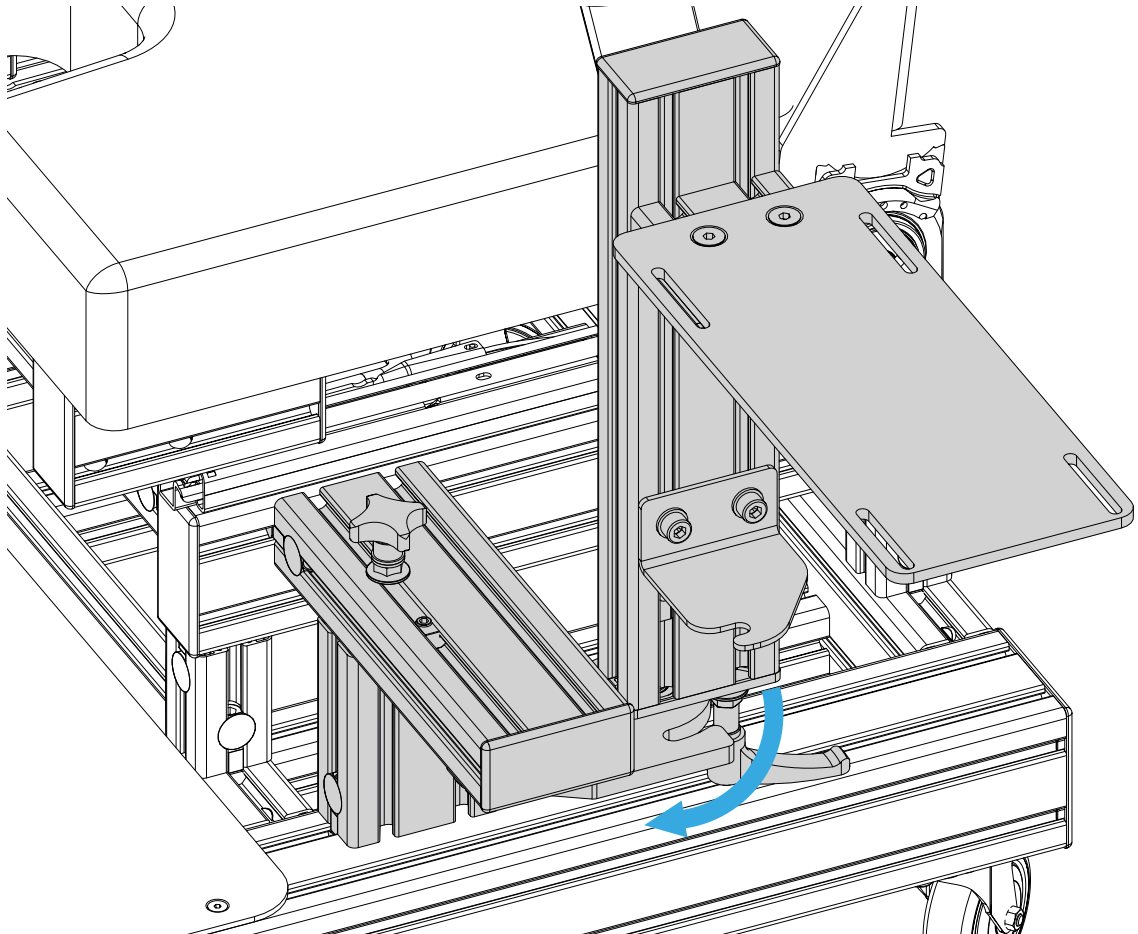
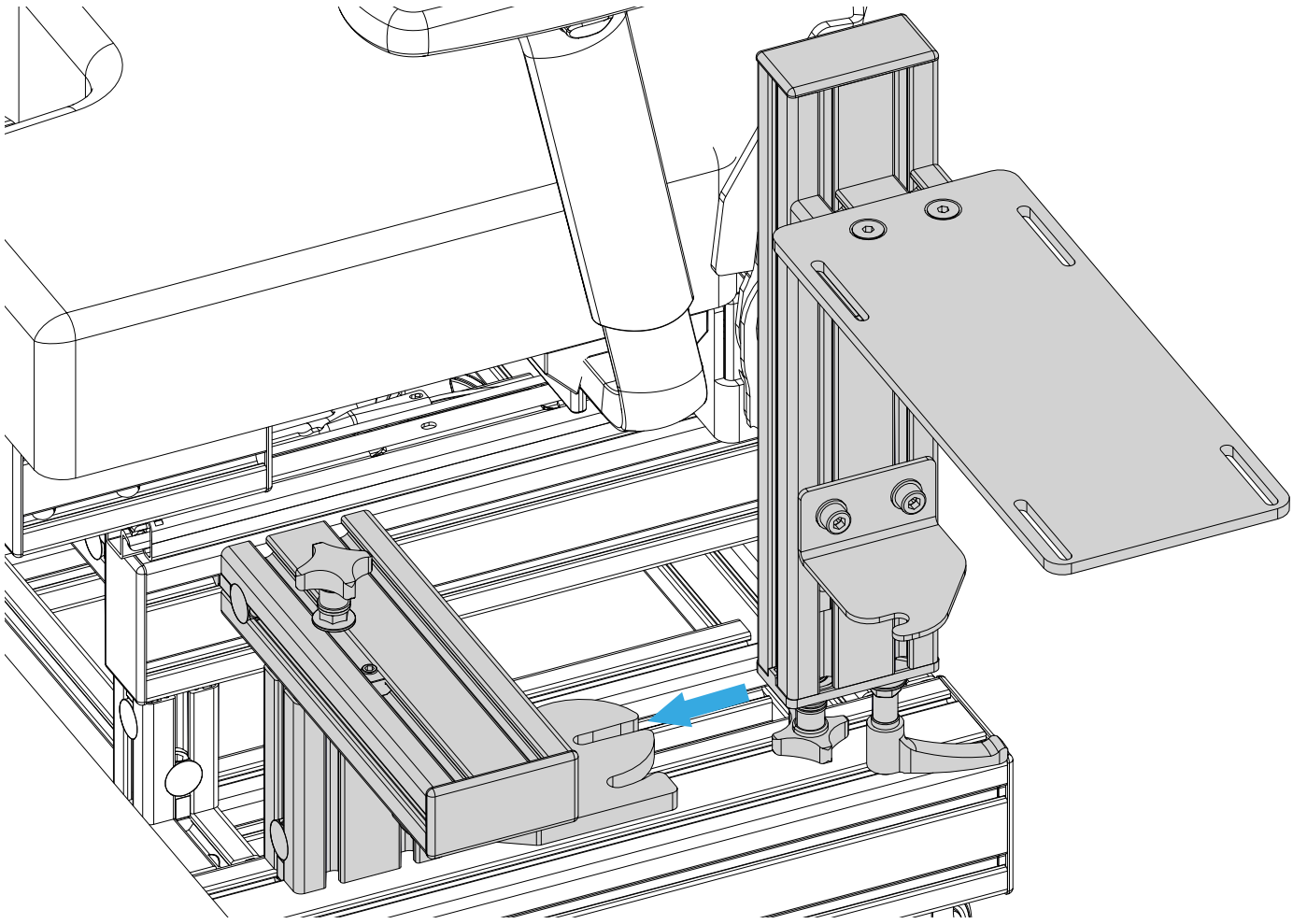
assembly for the
left side of the rig

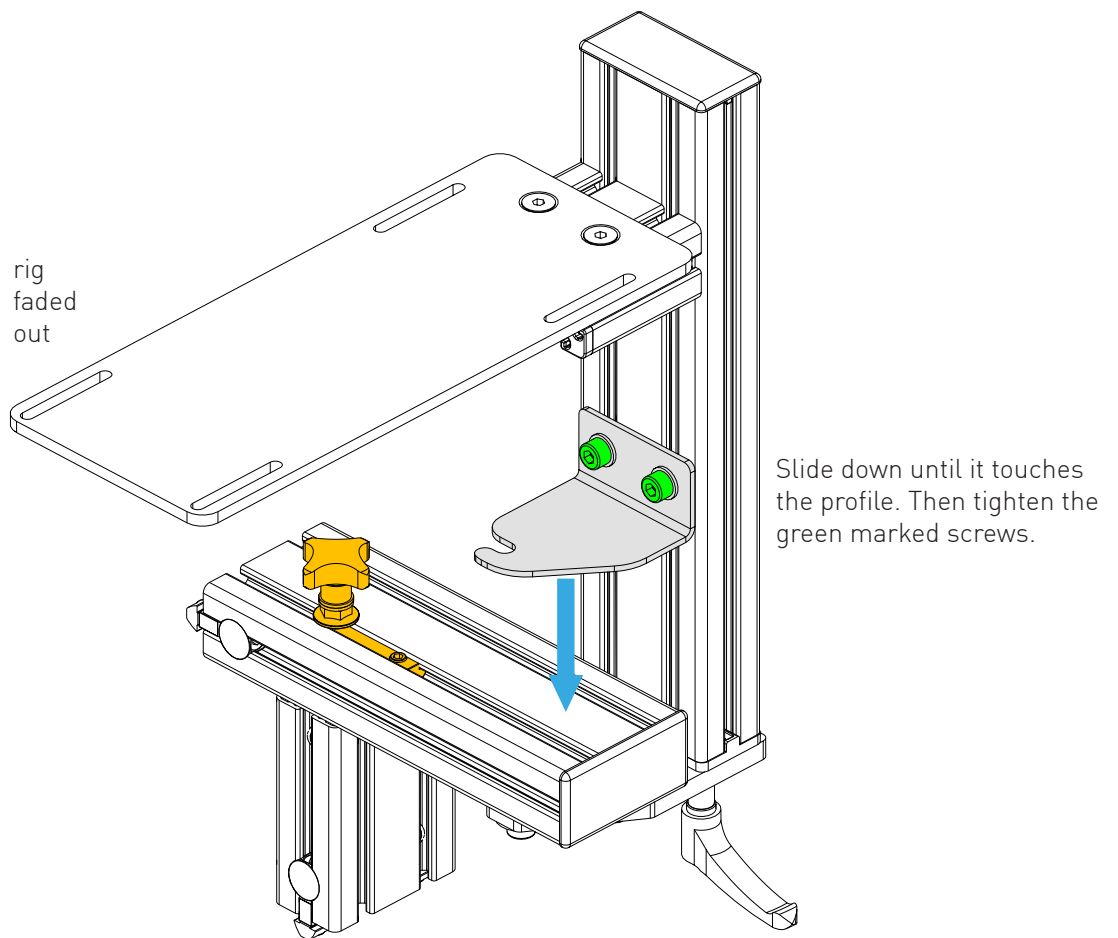
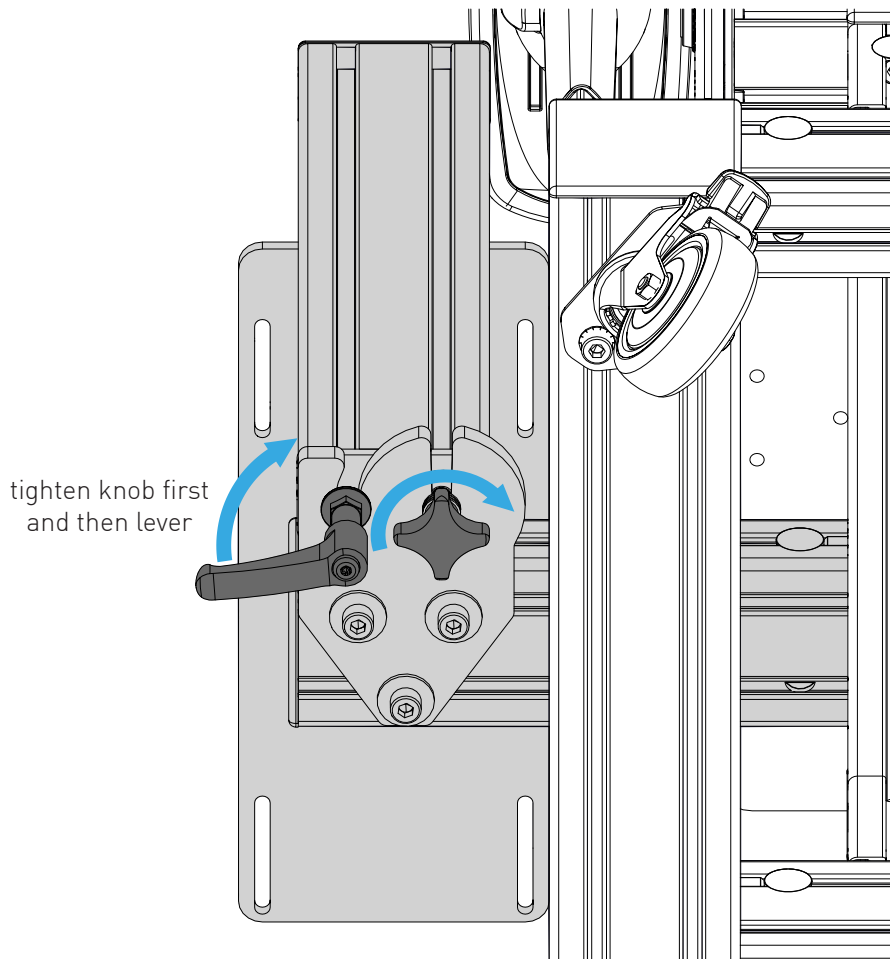


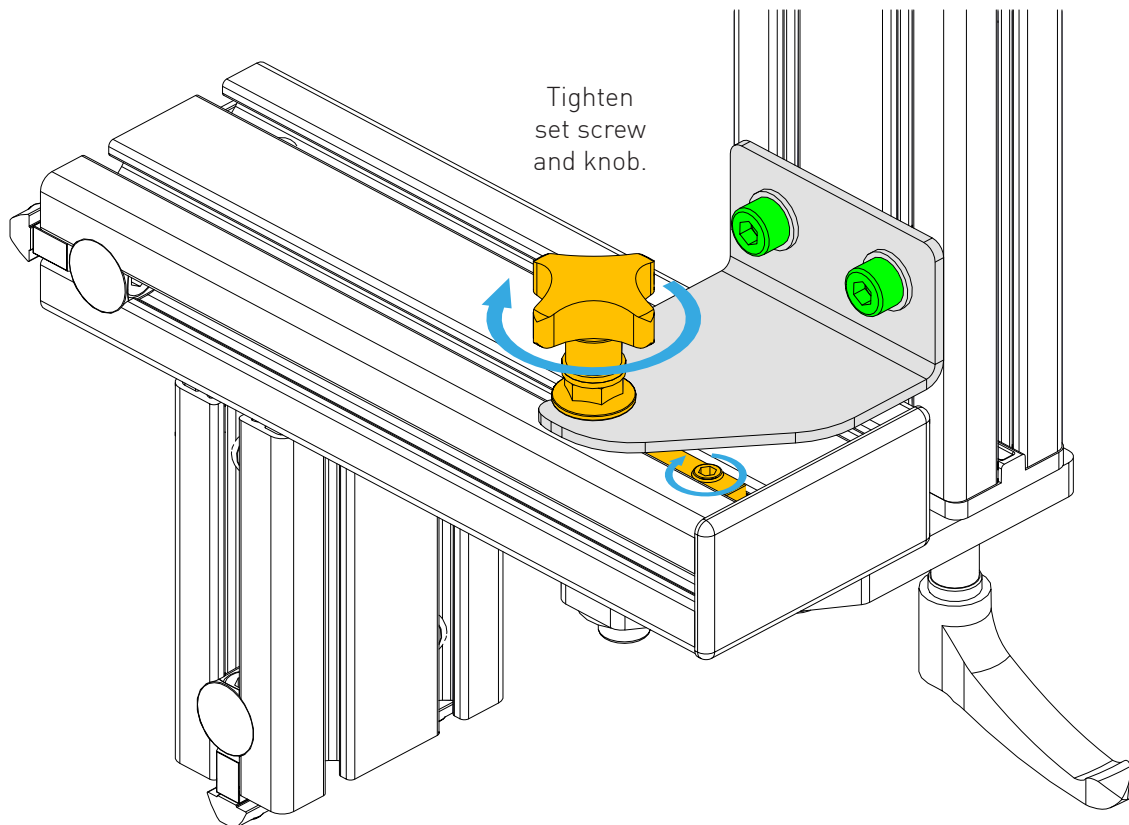
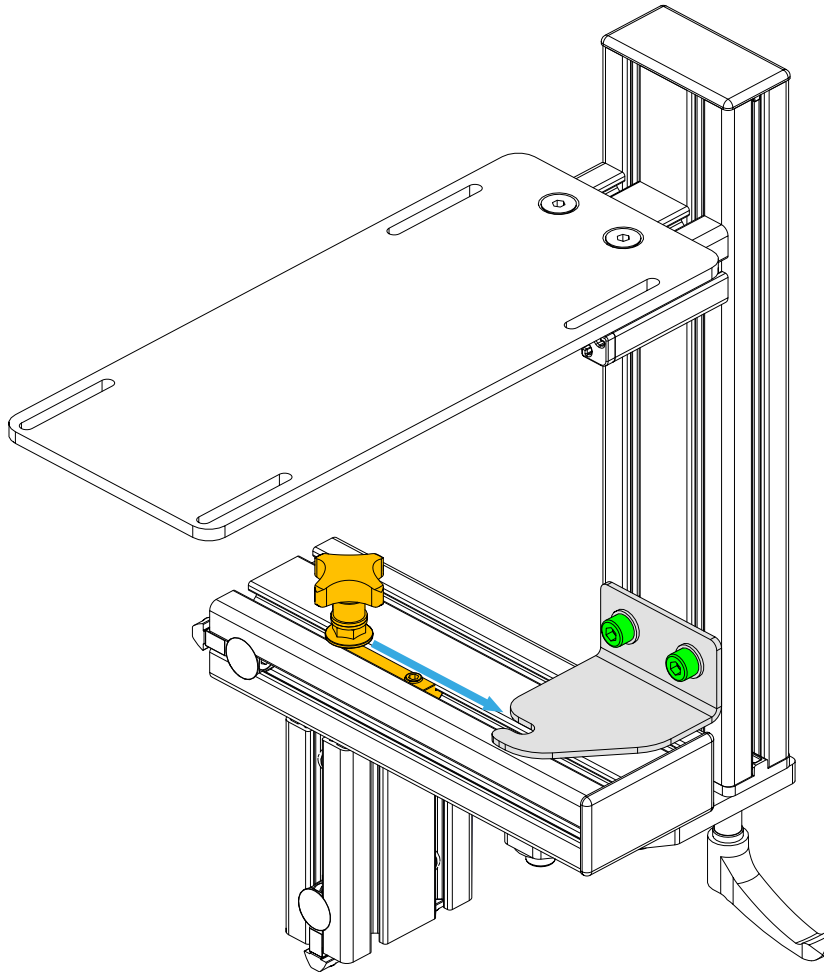




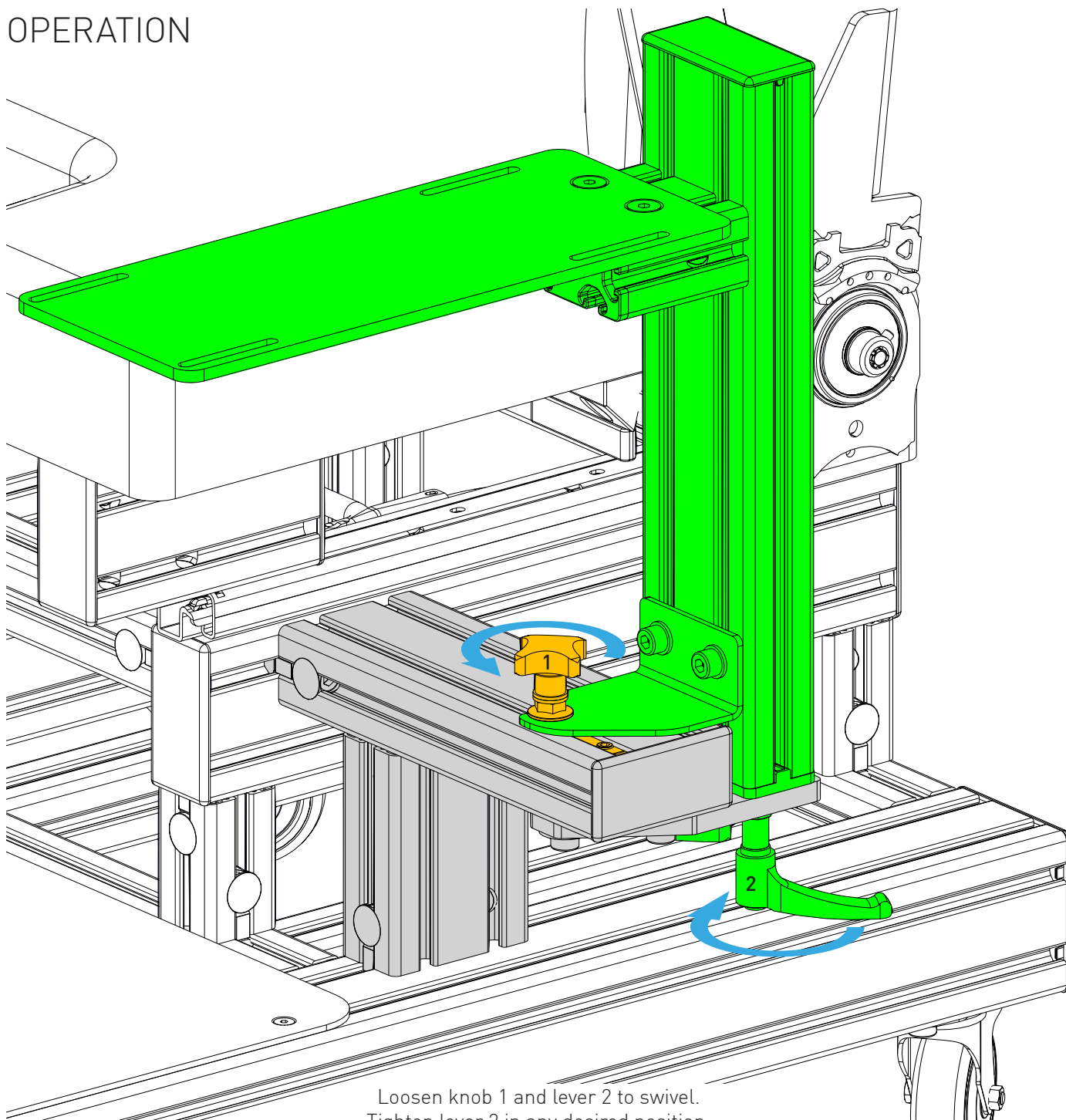








OPERATION



Loosen knob 1 and lever 2 to swivel.
Tighten lever 2 in any desired position.
Tighten knob 1 in working position for
more stability.

