

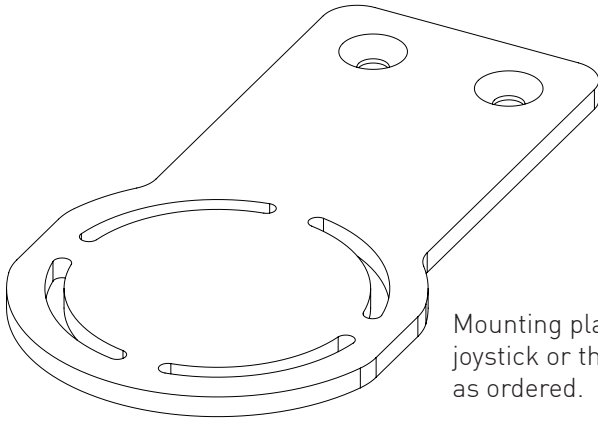
MTS HOTAS JOYSTICK / THROTTLE

Instruction Manual
Bedienungsanleitung
Mode d'emploi

PARTS

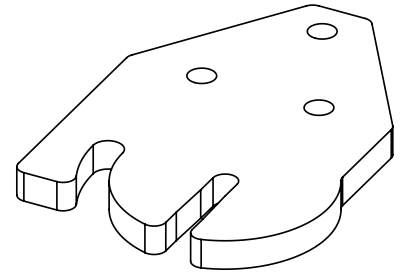
[dimensions in mm / different scales]
No extra or spare parts listed!

1x

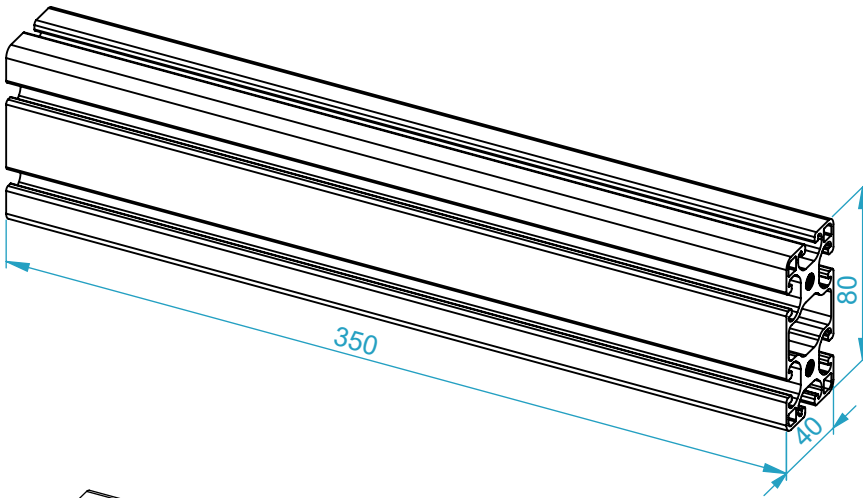


Mounting plate for joystick or throttle as ordered.

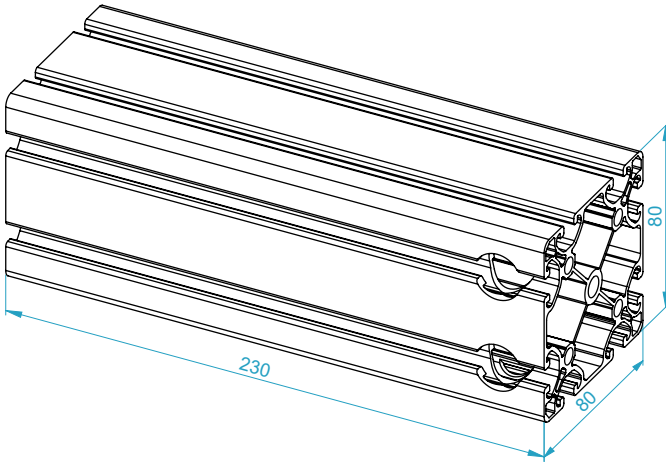
1x



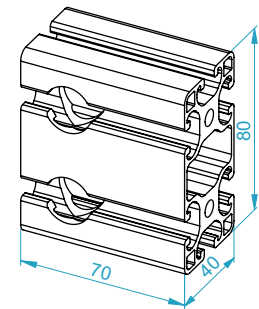
1x



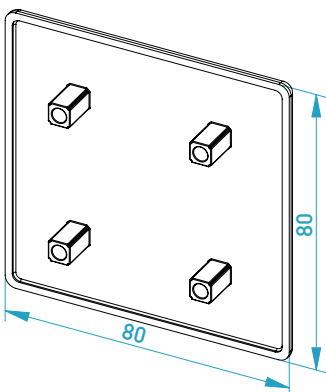
1x



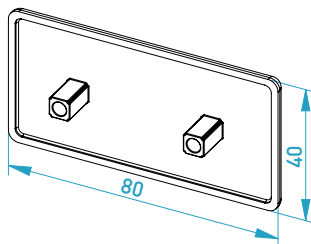
1x



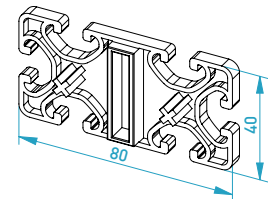
1x



1x

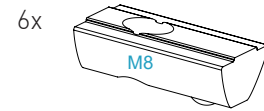
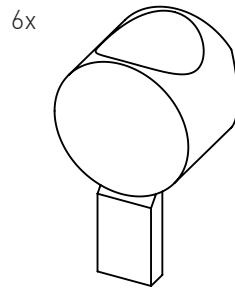
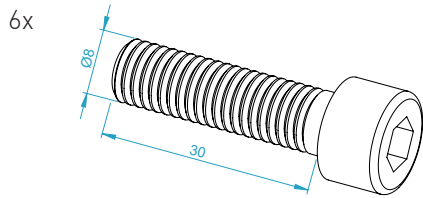


1x

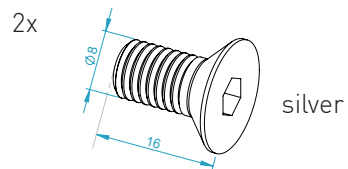
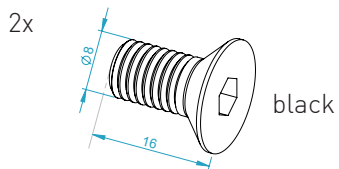
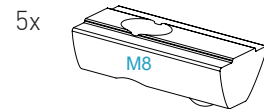
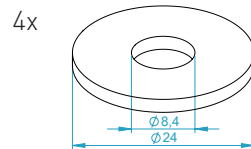
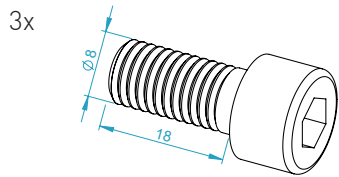


usually pre-assembled on the 70 mm profile above

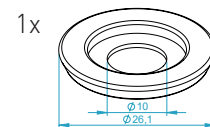
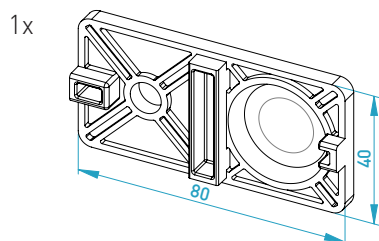
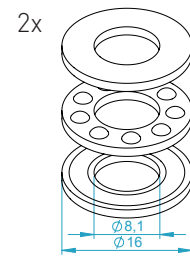
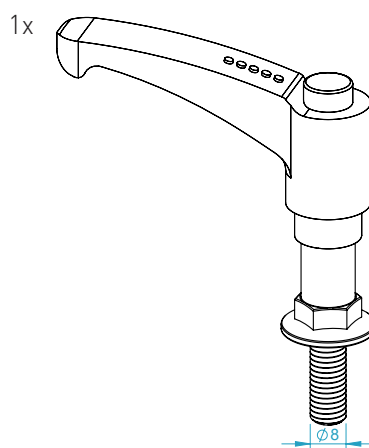
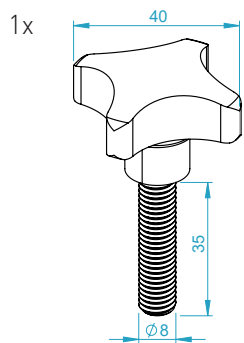
BAG 1



BAG 2

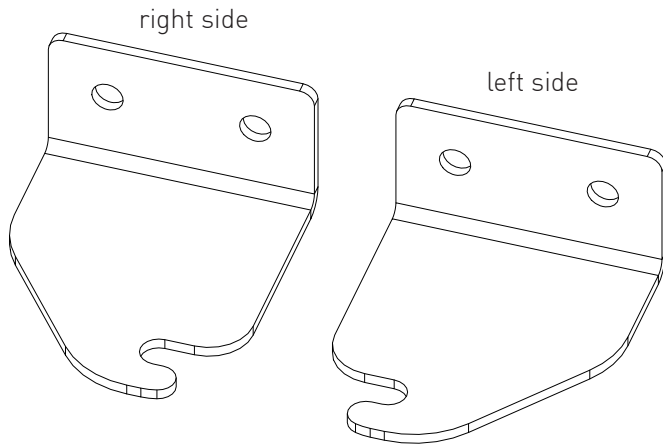


SWIVEL ADAPTER

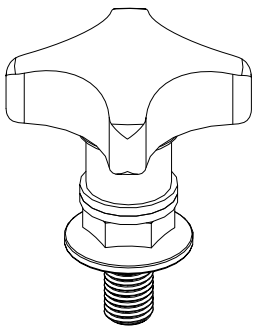


MTS HOTAS Swivel Extra Plate Kit

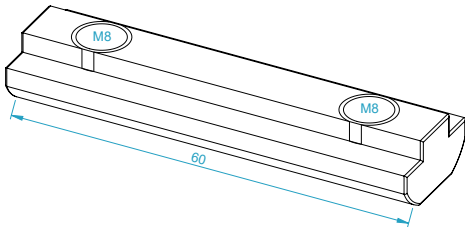
1x



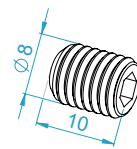
1x



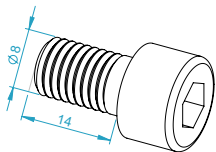
1x



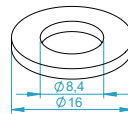
1x



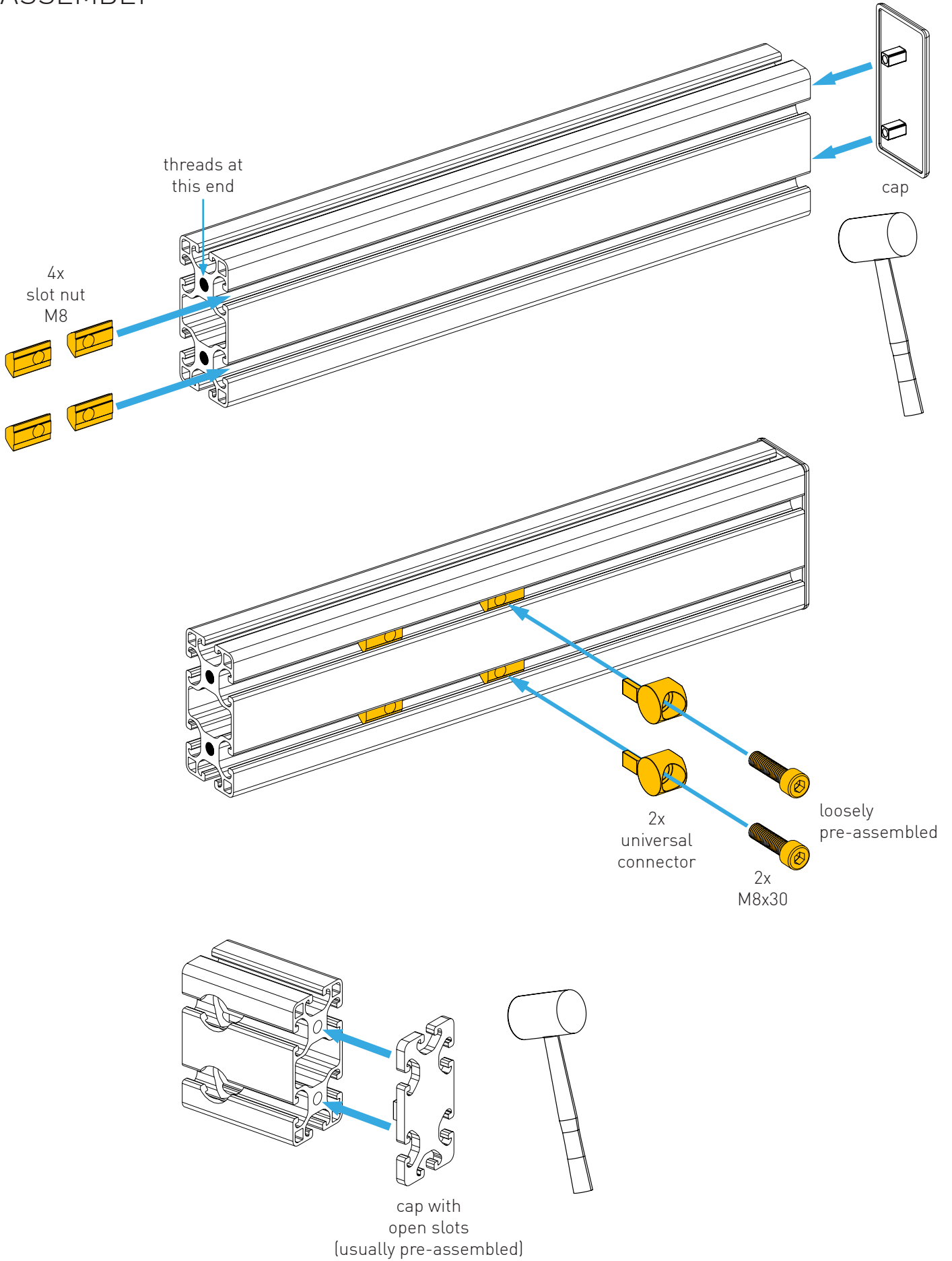
2x

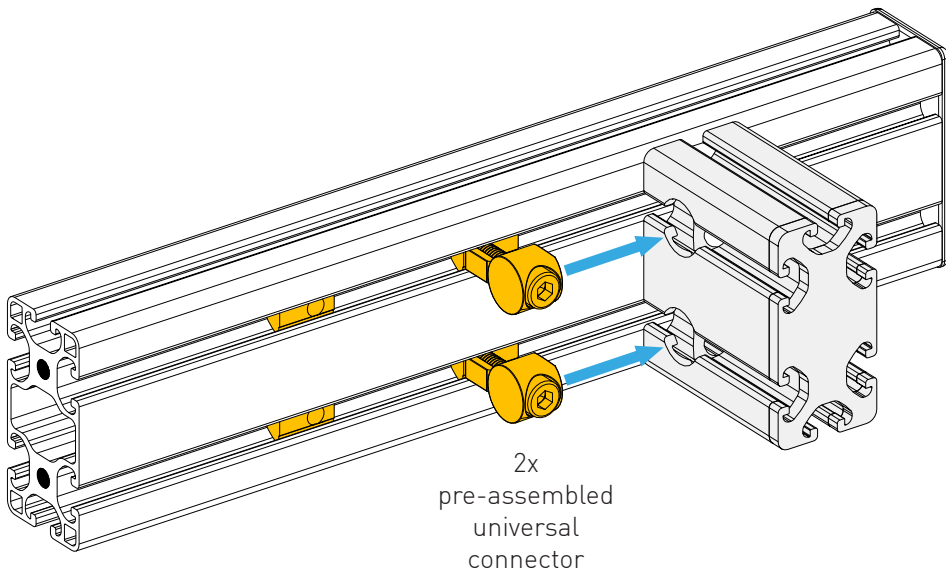


2x

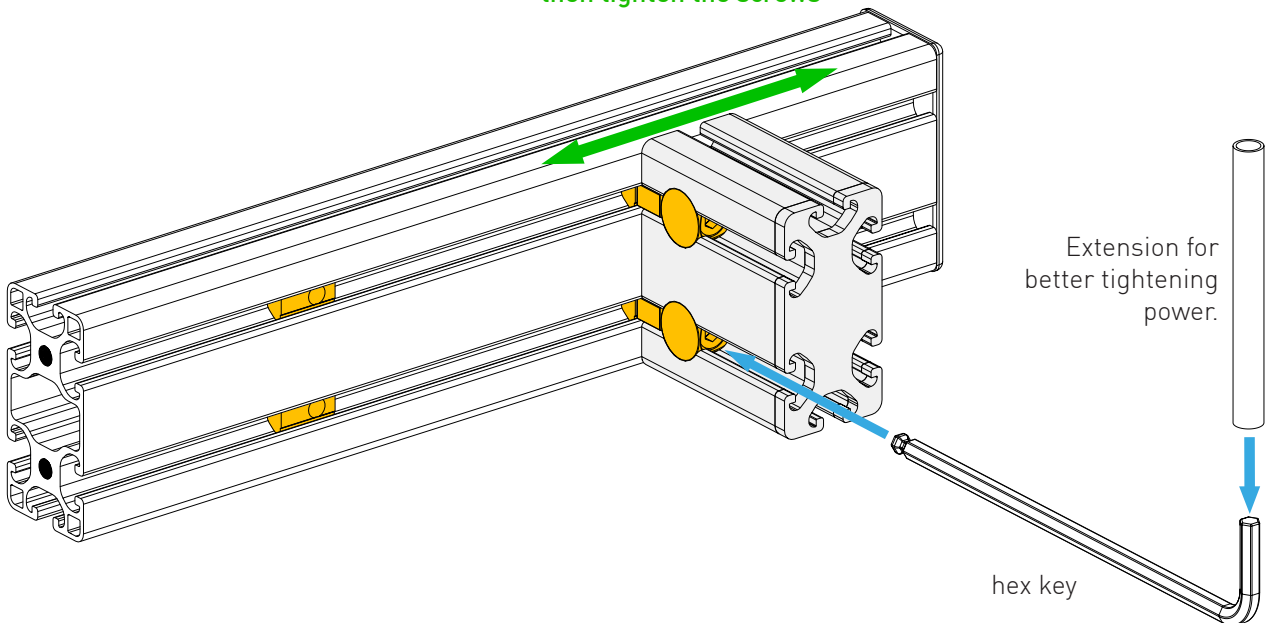


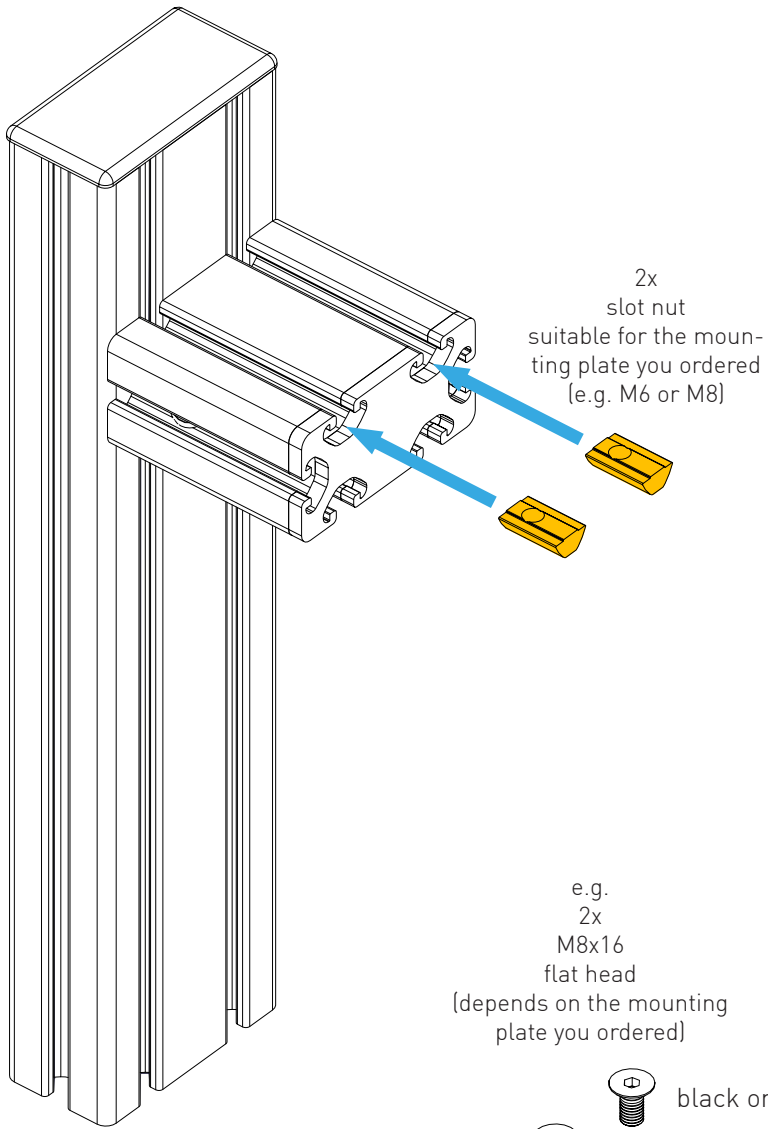
ASSEMBLY





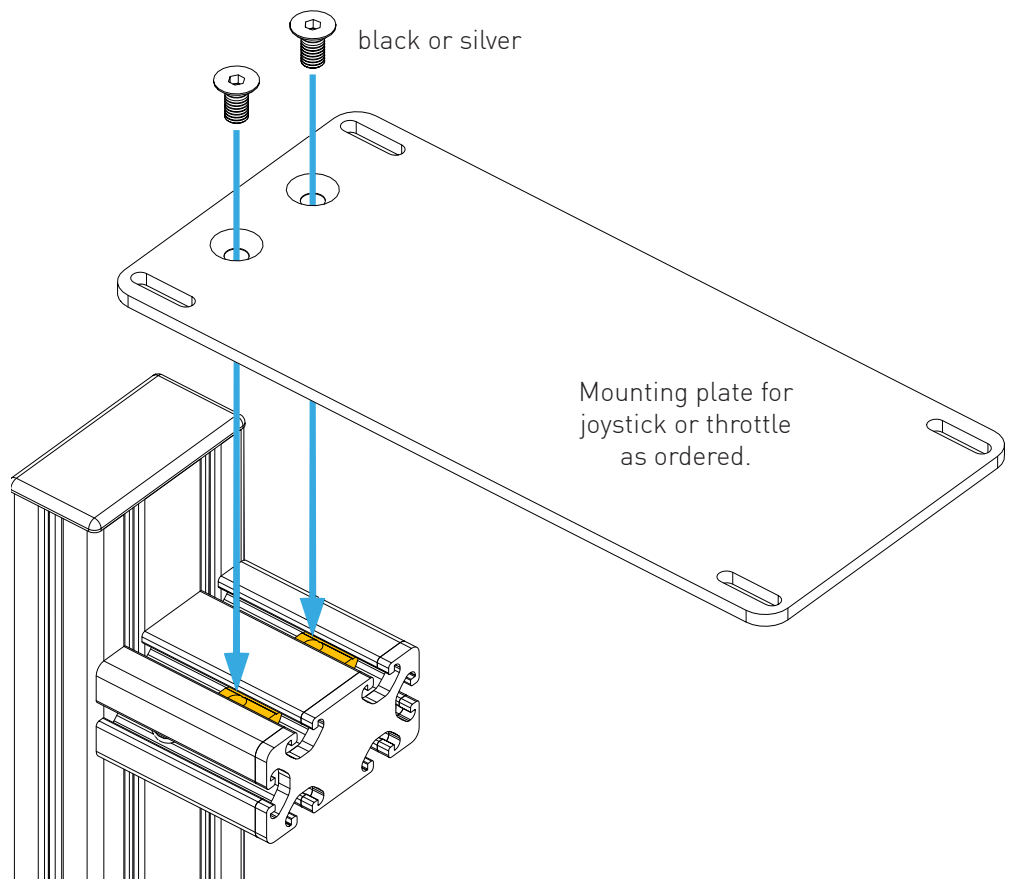
choose position
(height positioning)
then tighten the screws

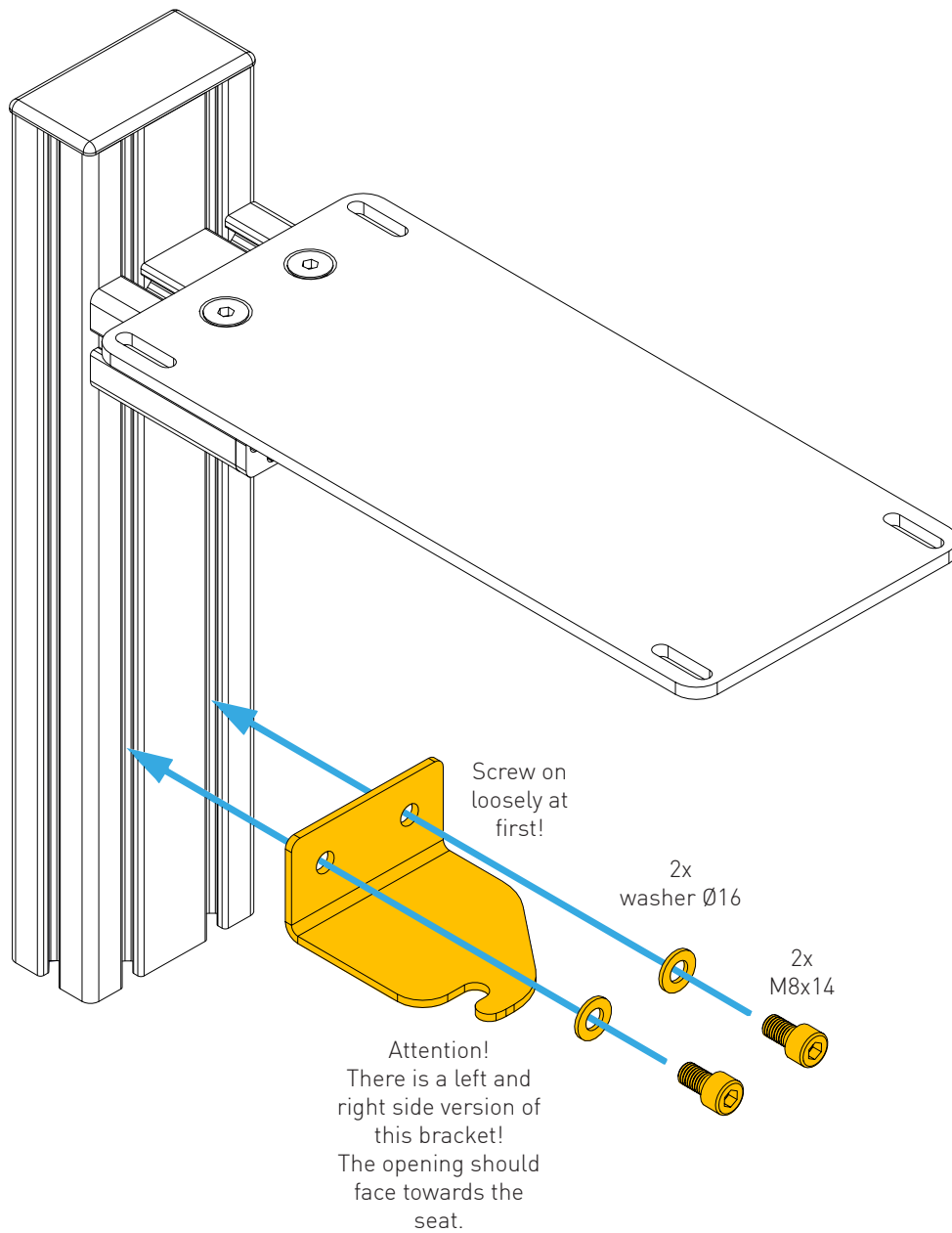


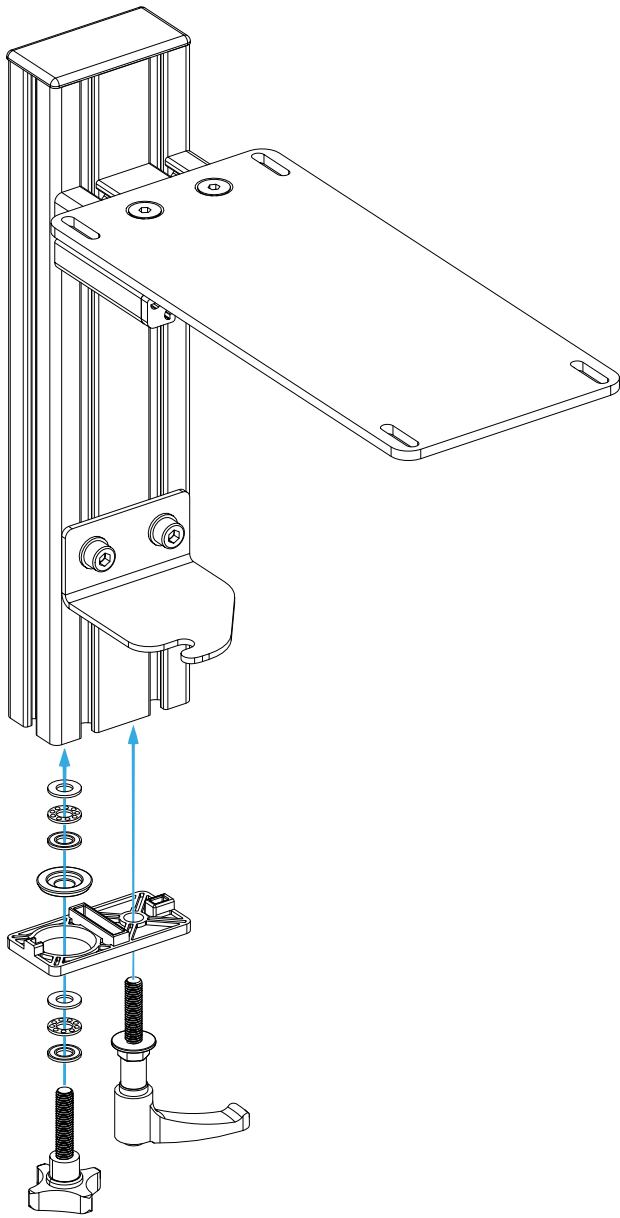


e.g.
2x
M8x16
flat head
(depends on the mounting
plate you ordered)

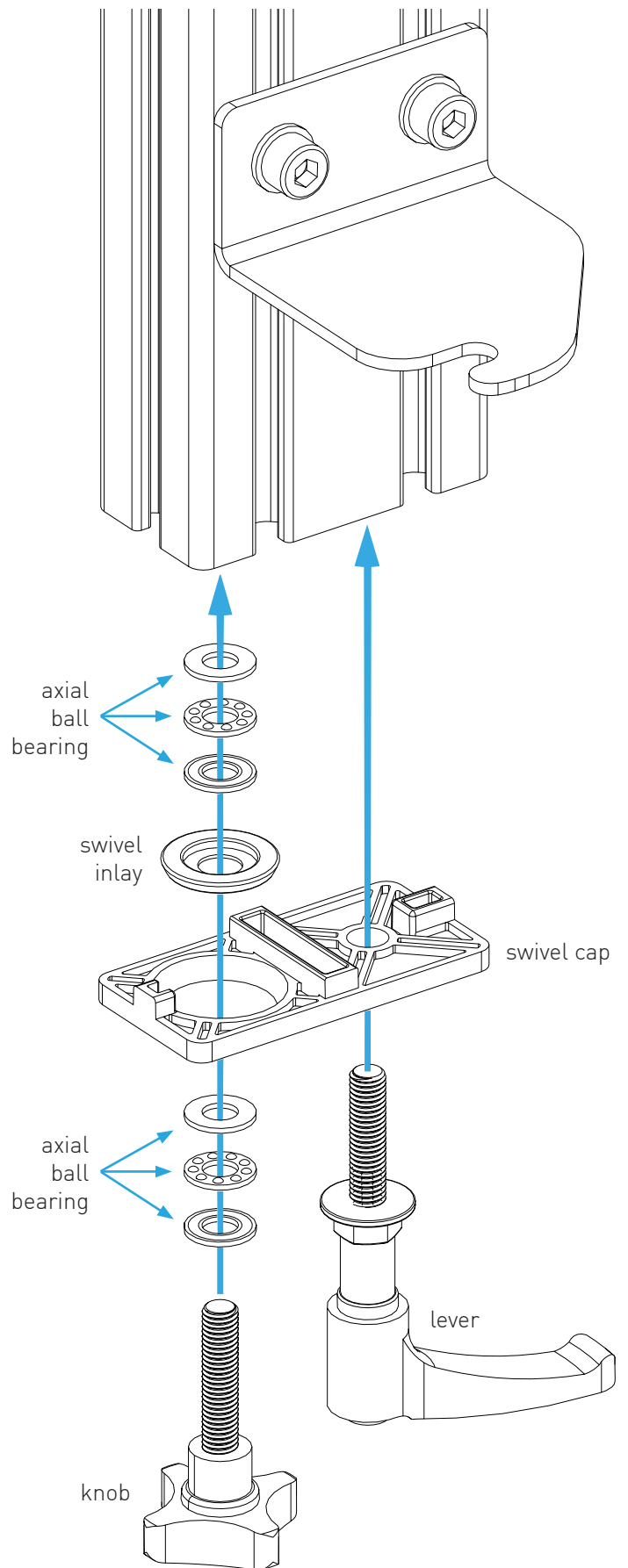
black or silver



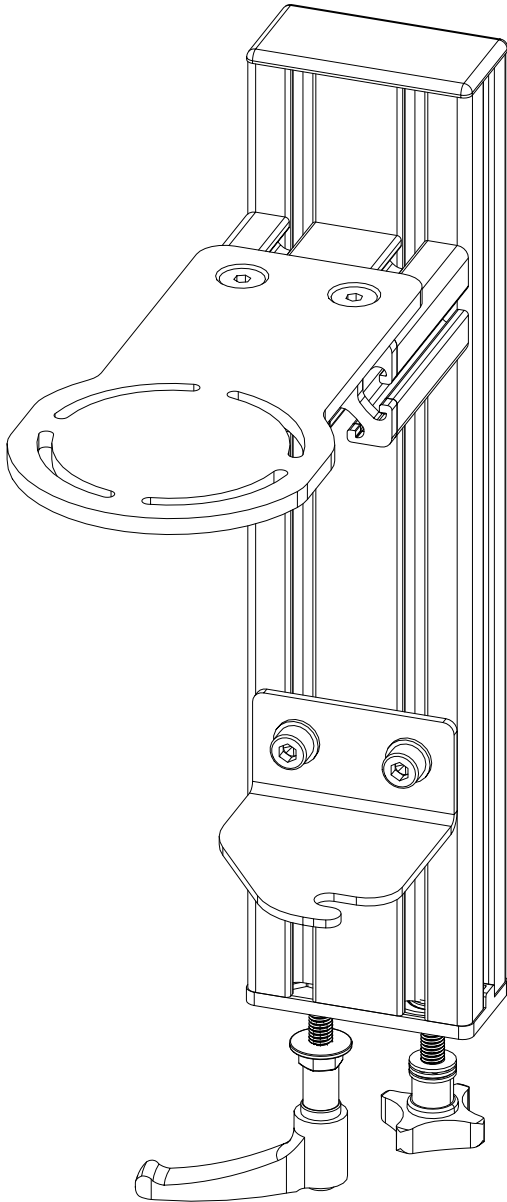




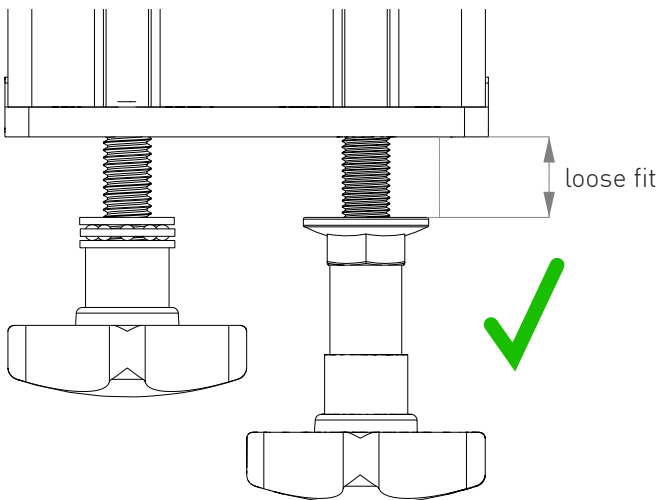
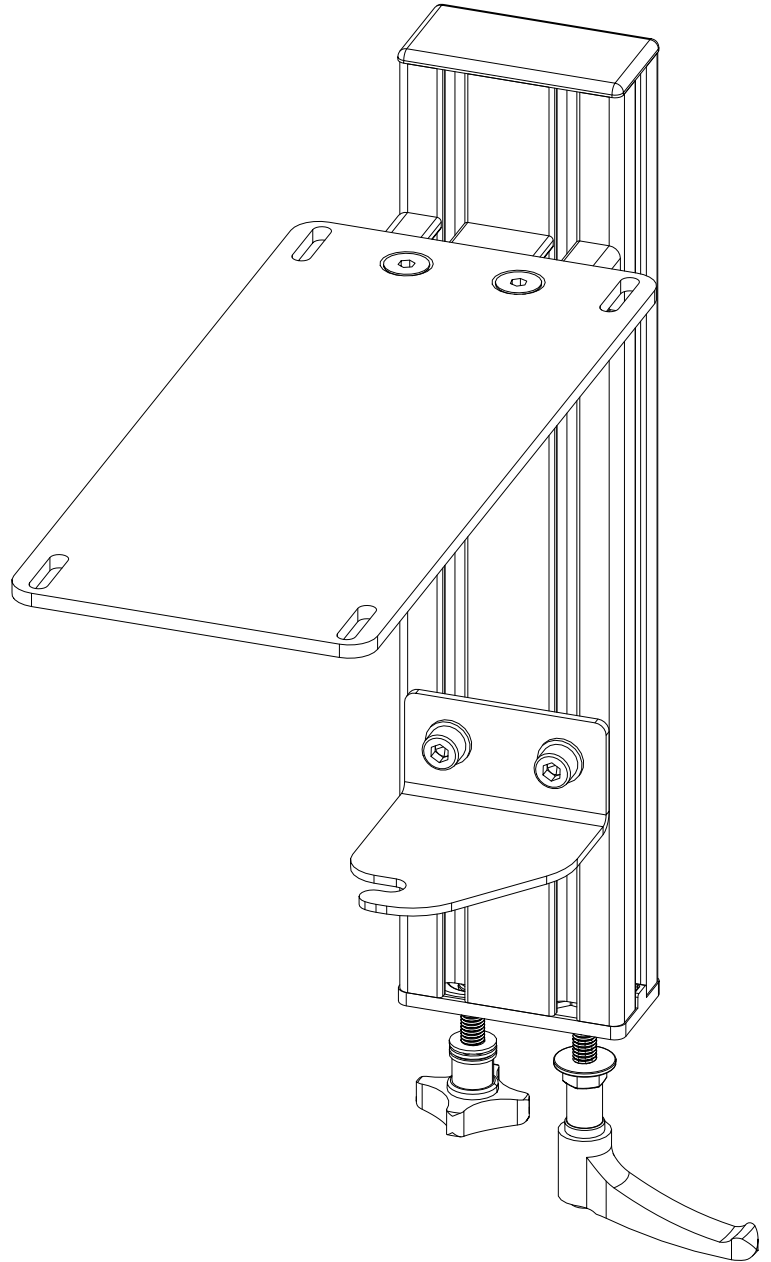
detailed view

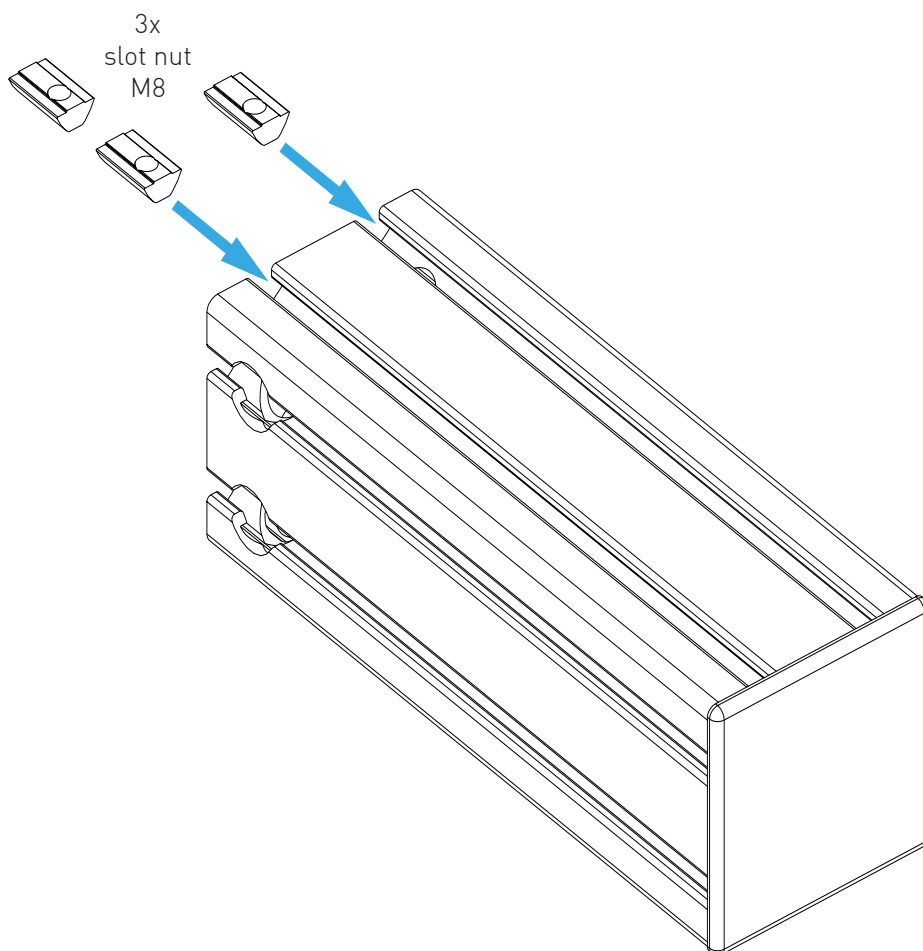
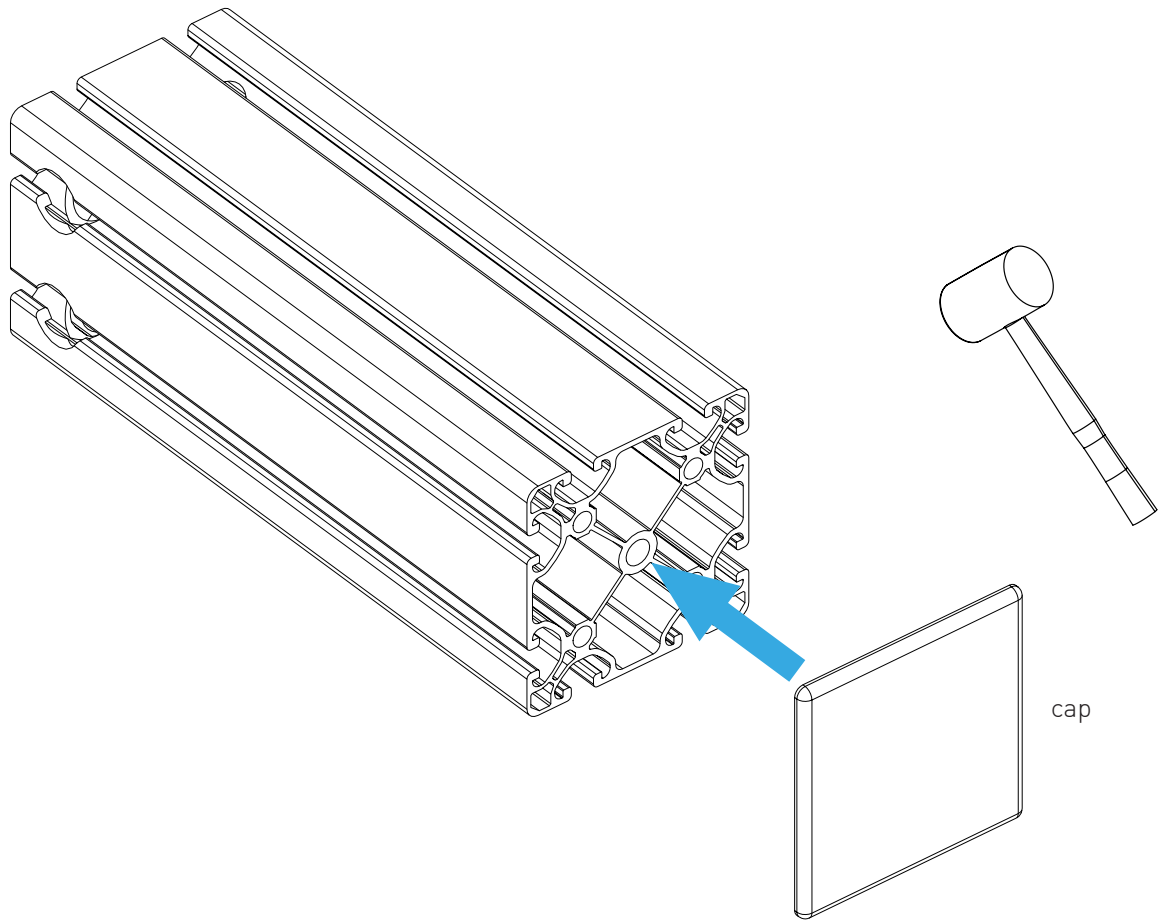


Assembly for the right side of the rig.



Assembly for the left side of the rig.

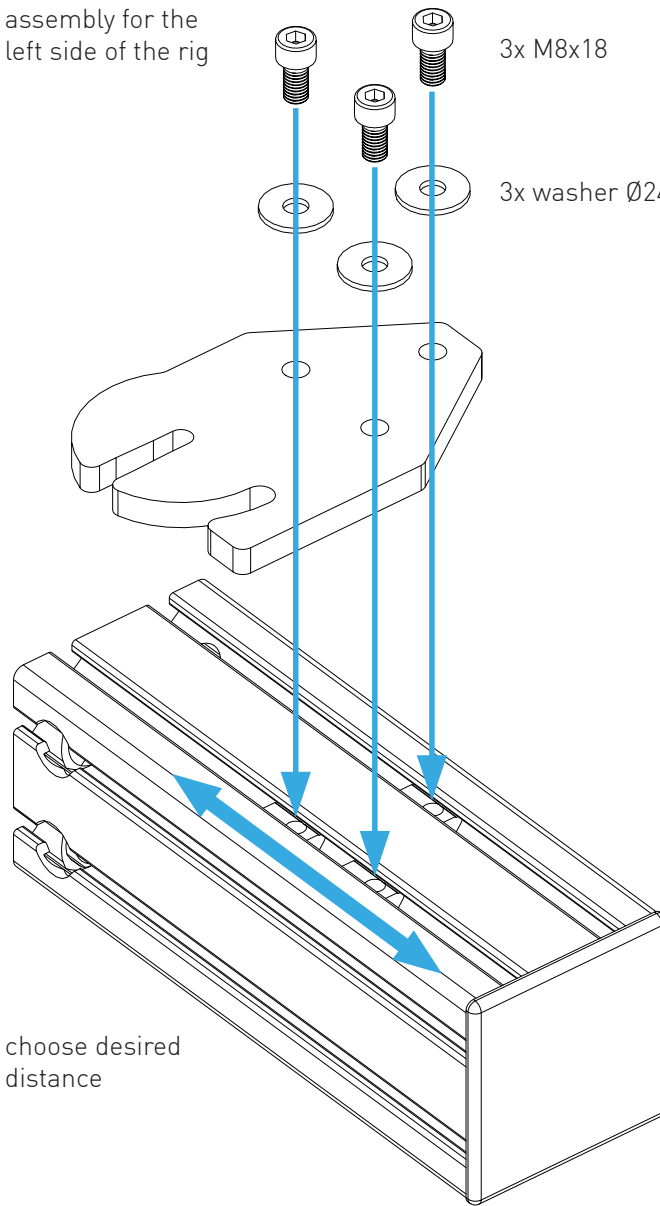




assembly for the
left side of the rig

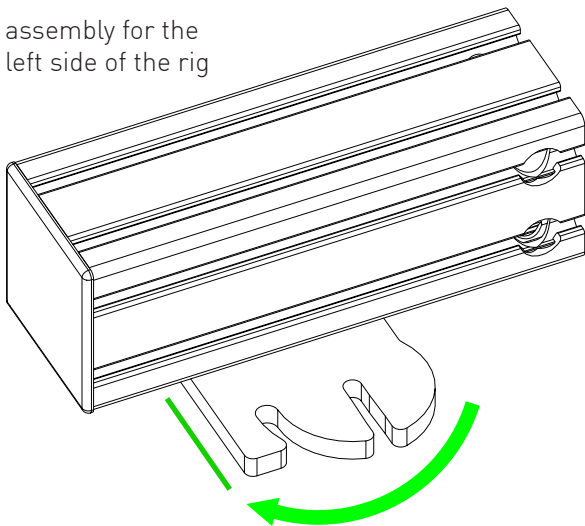
3x M8x18

3x washer Ø24

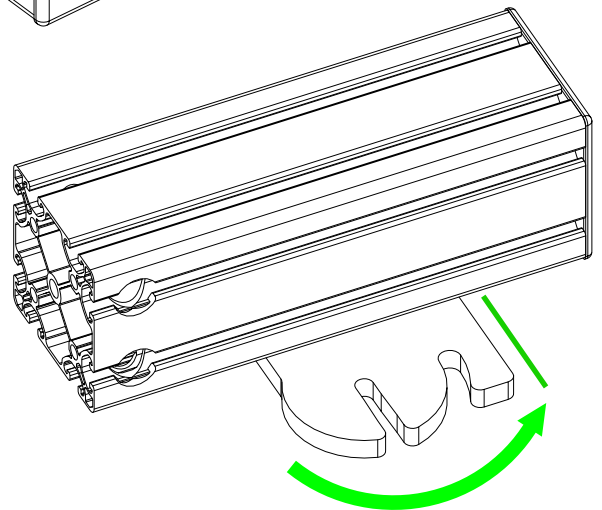


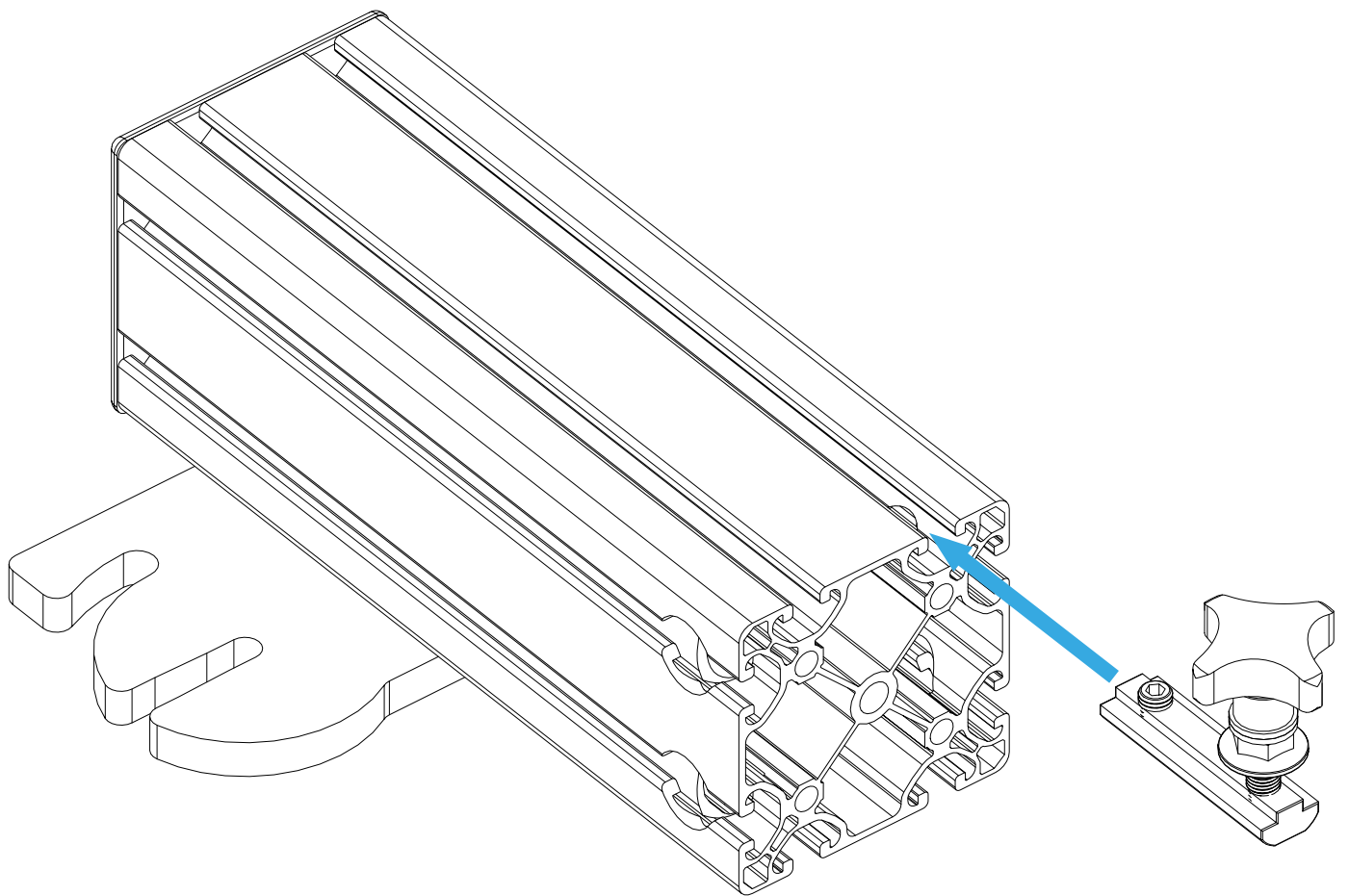
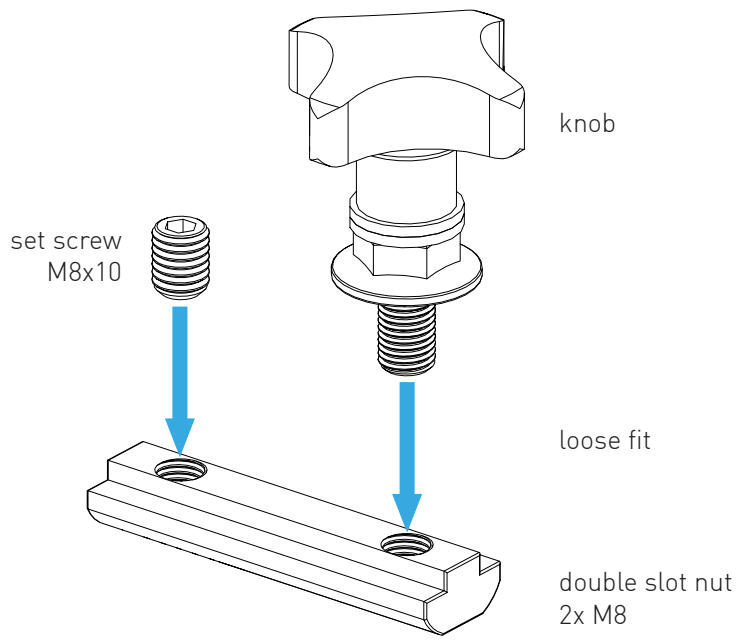
choose desired
distance

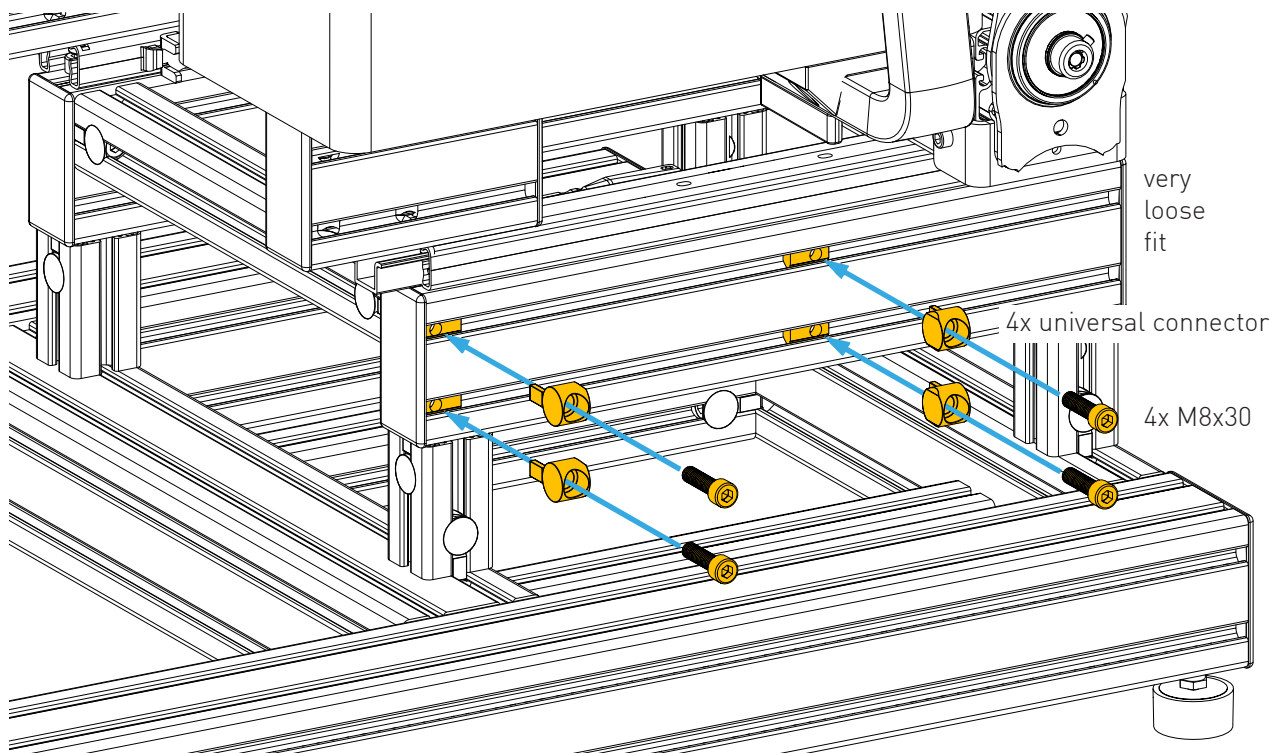
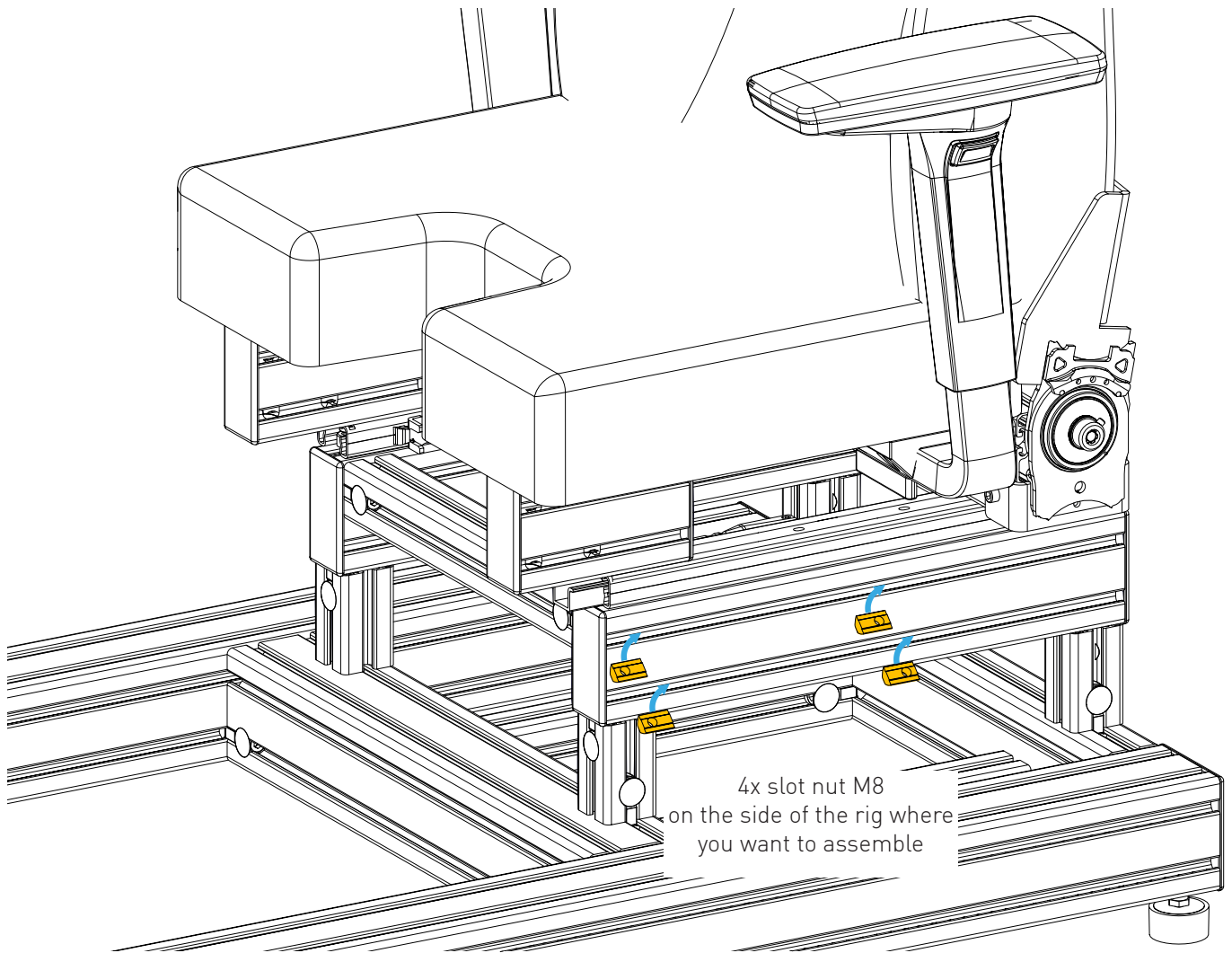
assembly for the
left side of the rig

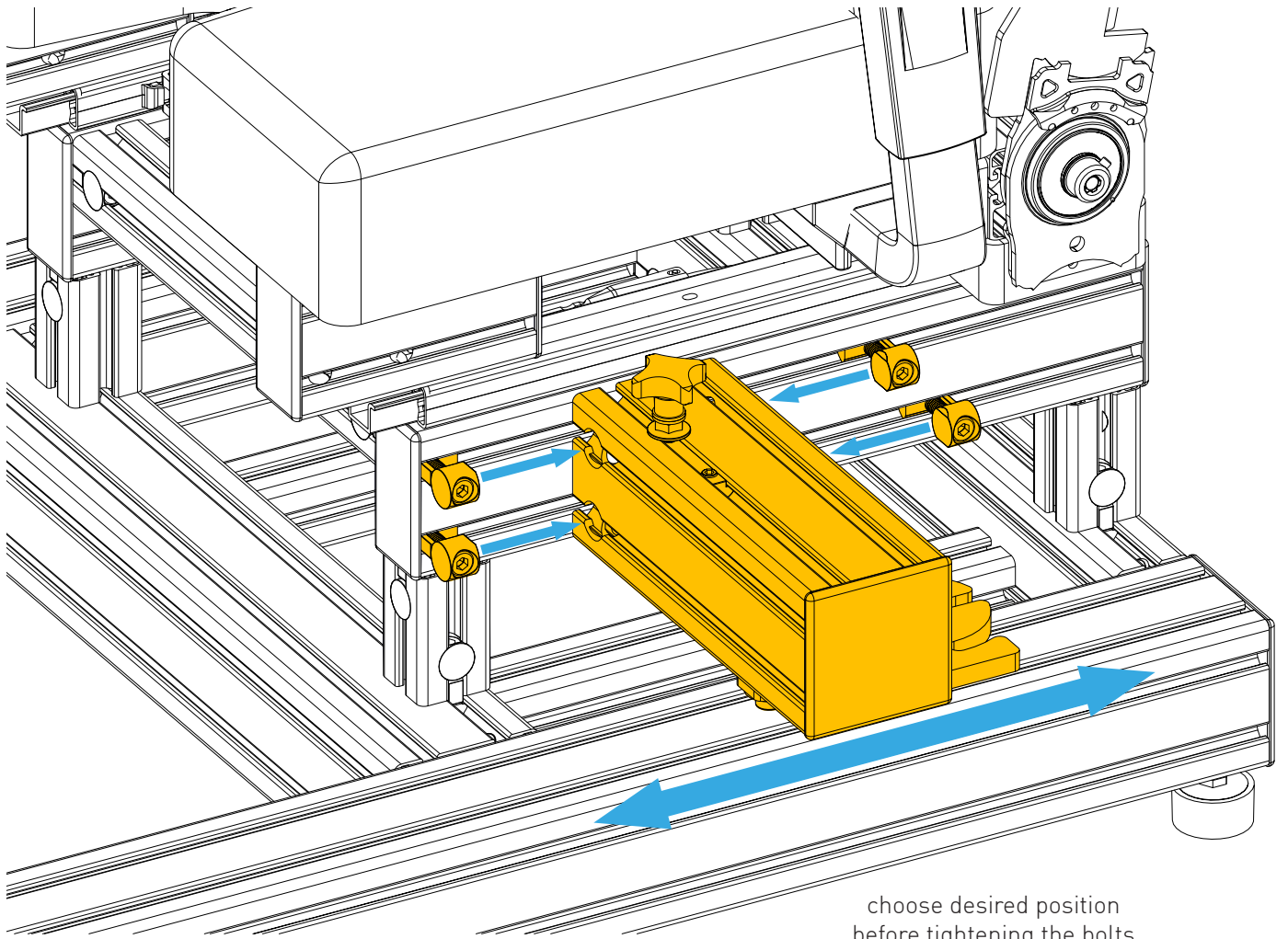


assembly for the
right side of the rig

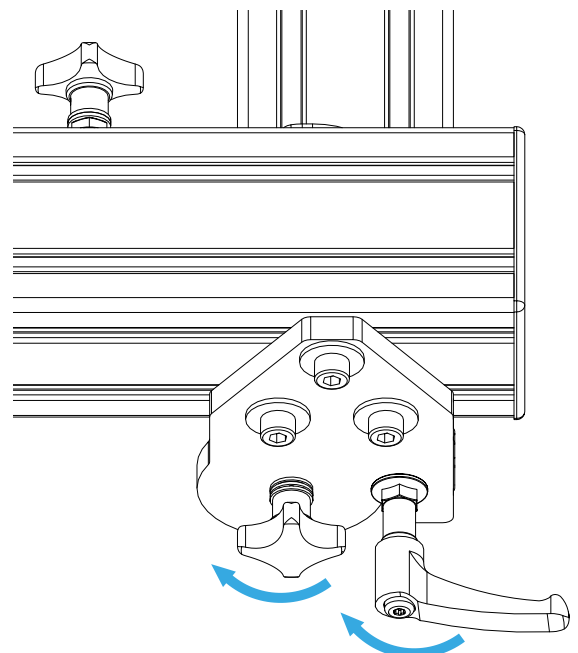
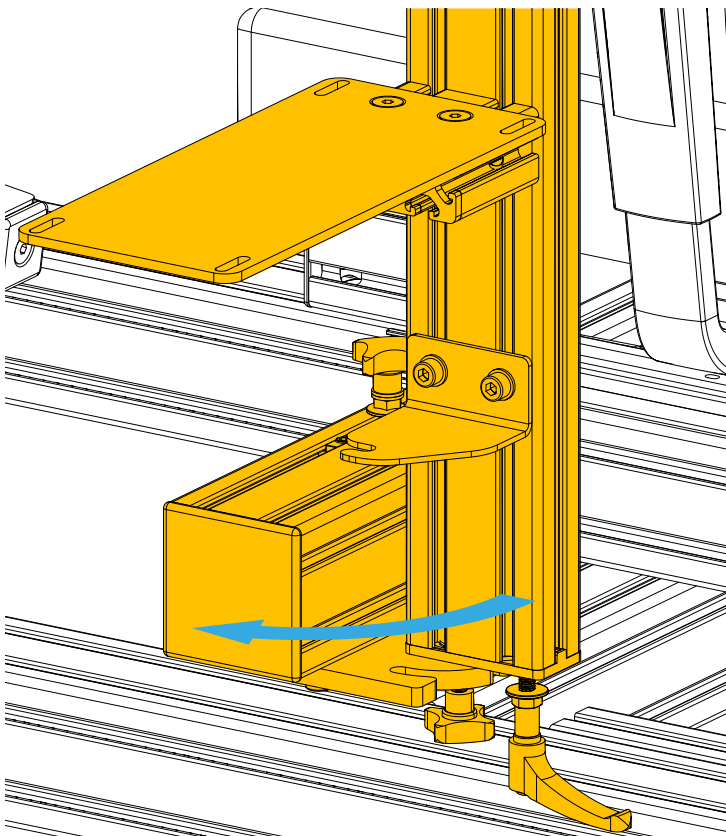
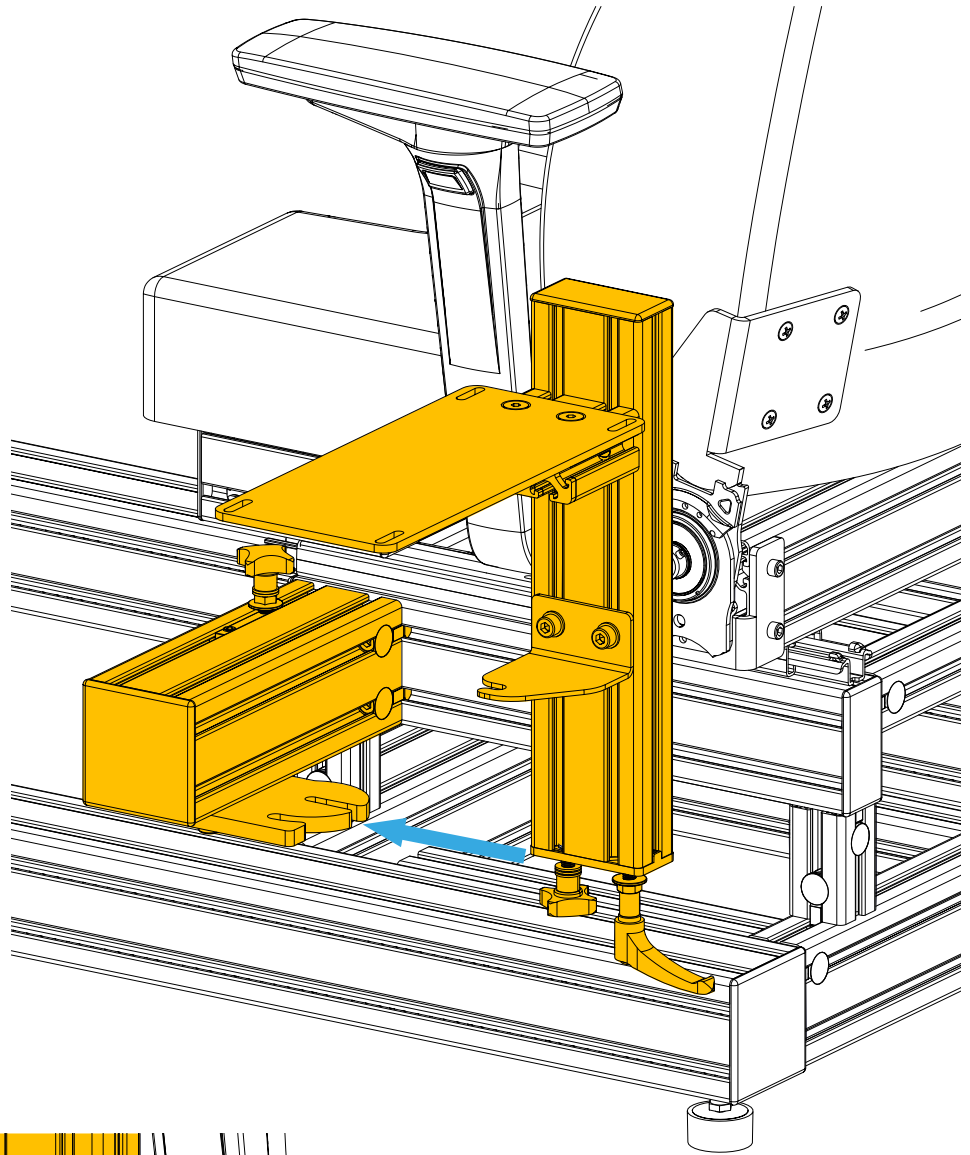




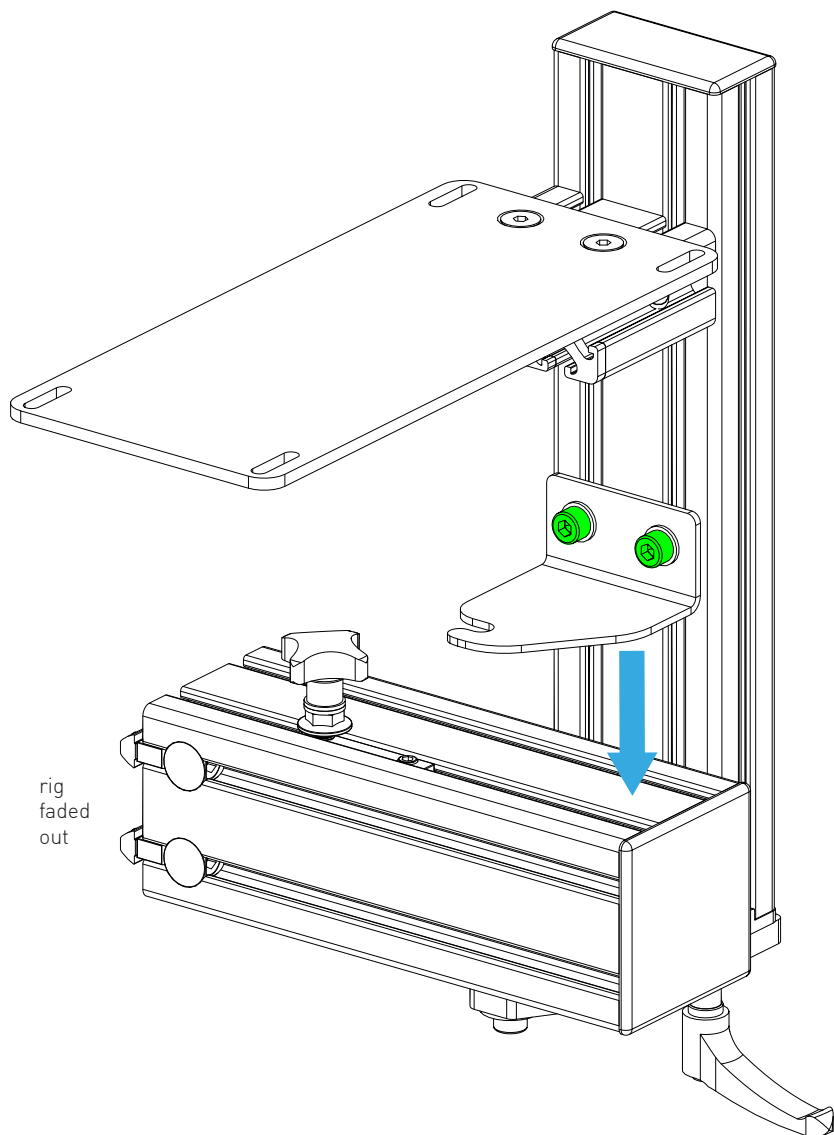




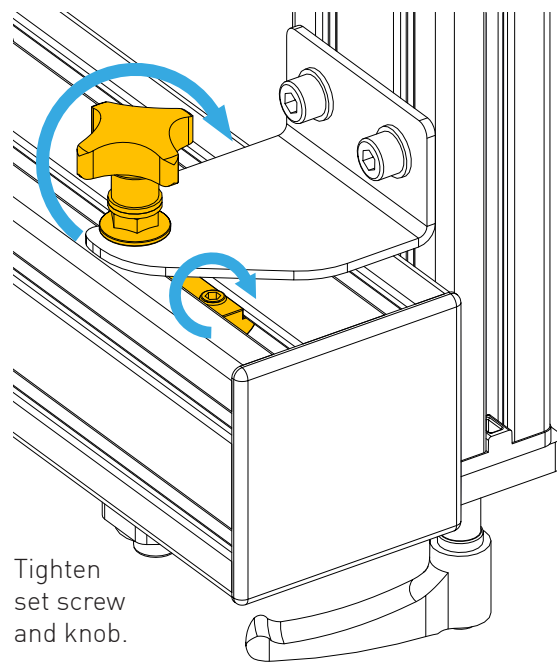
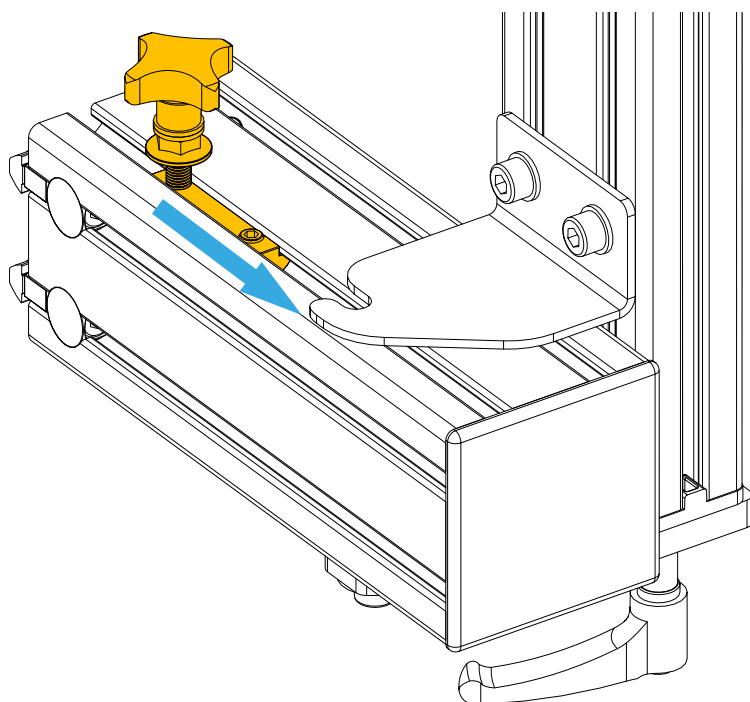
choose desired position
before tightening the bolts



tighten knob first
and then lever

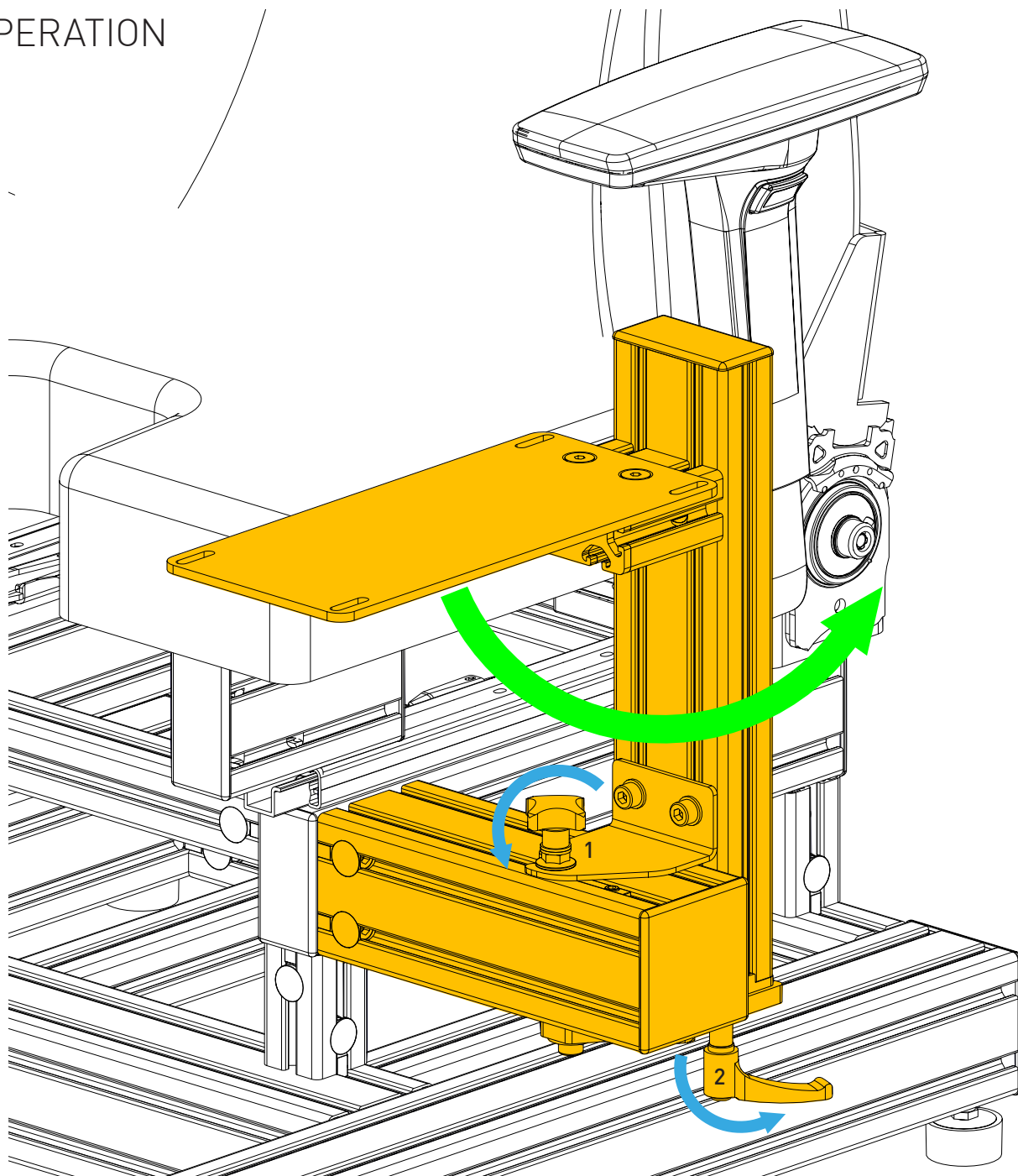


Slide down until it touches the profile. Then tighten the green marked screws.



Tighten set screw and knob.

OPERATION



Loosen knob 1 and lever 2 to swivel.
Tighten lever 2 in any desired position.
Tighten knob 1 in working position for
more stability.

