

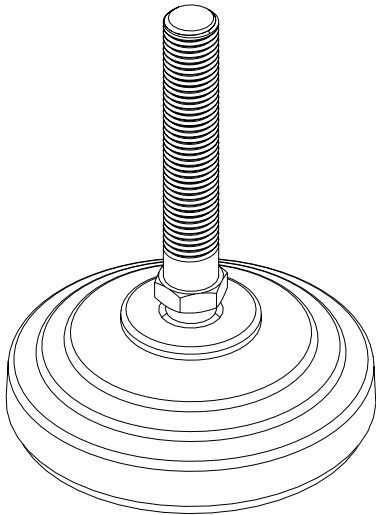
# MTS MACHINE FOOT SET

Instruction Manual  
Bedienungsanleitung  
Mode d'emploi

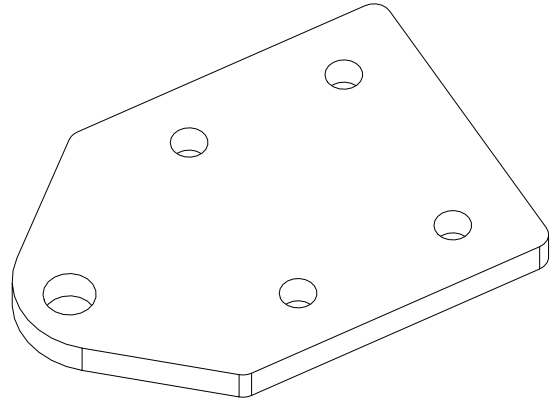
# PARTS

[dimensions in mm / different scales]  
No extra or spare parts listed!

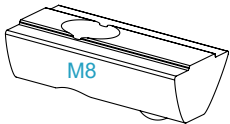
4x



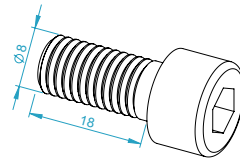
4x



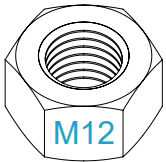
16x



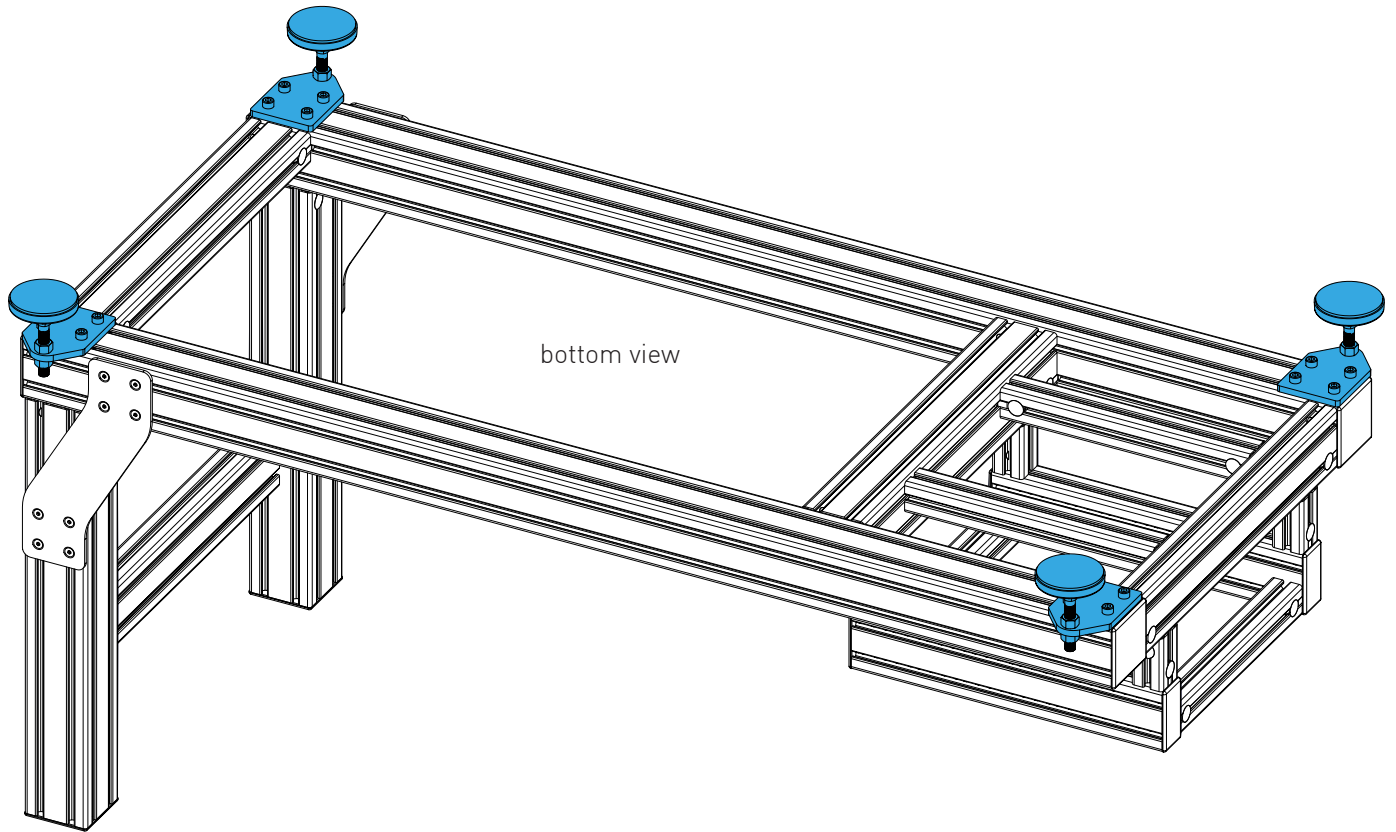
16x



8x



# ASSEMBLY



All steps have to be done the same way for every feet.

