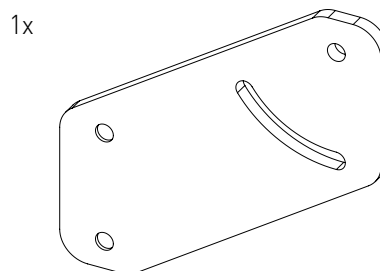
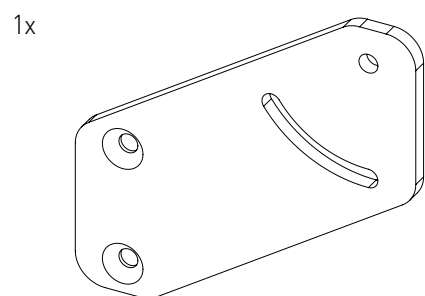
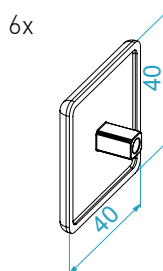
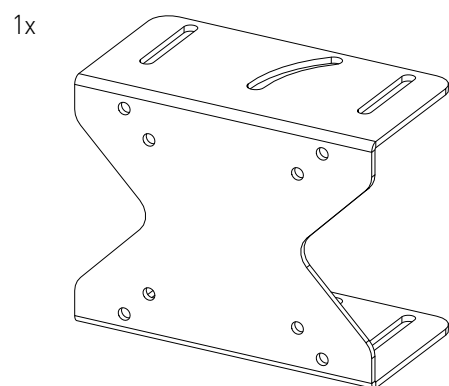
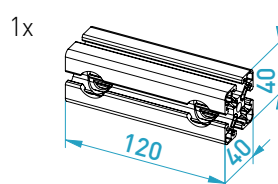
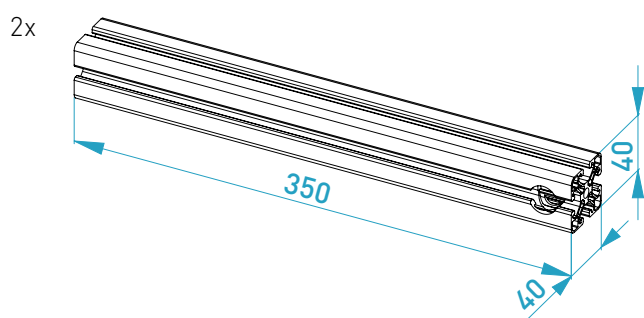
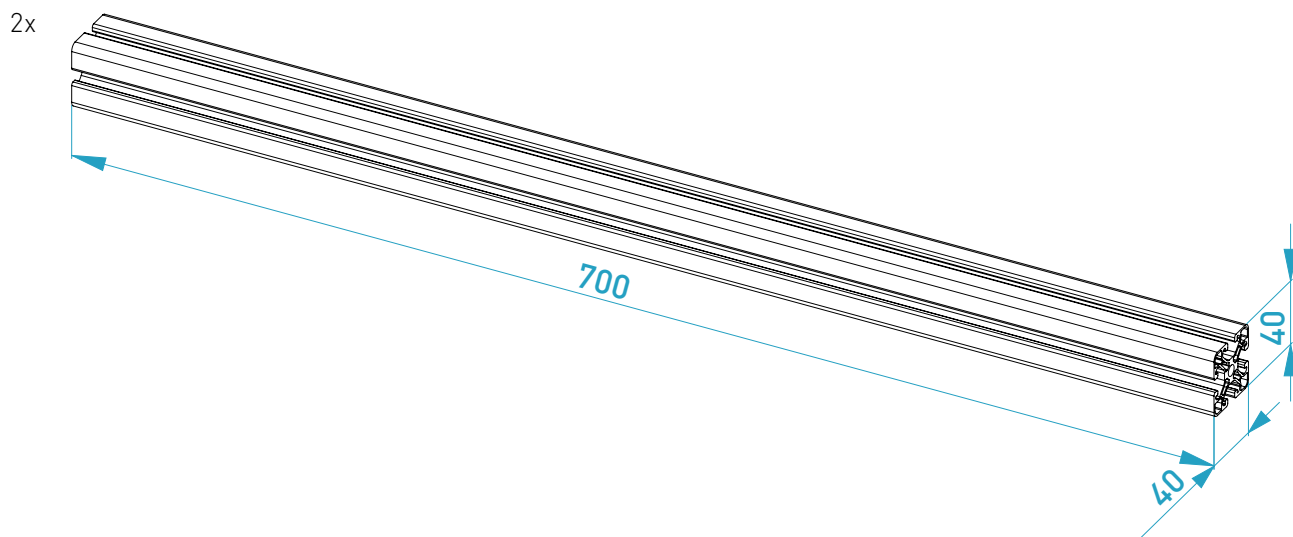


MTS MONITOR TOP EXTENSION

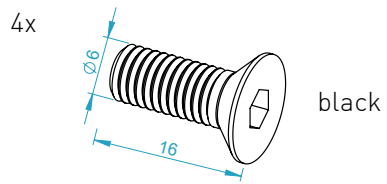
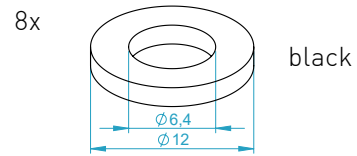
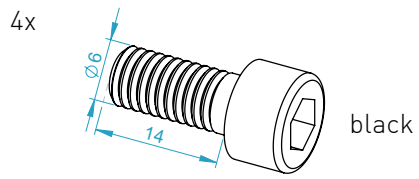
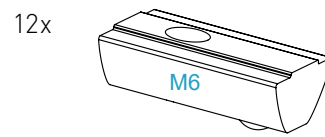
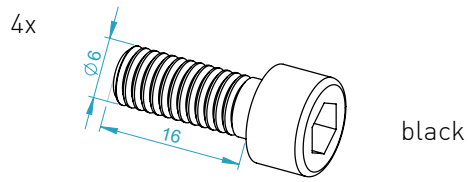
Instruction Manual
Bedienungsanleitung
Mode d'emploi

PARTS

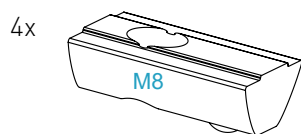
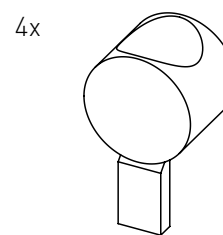
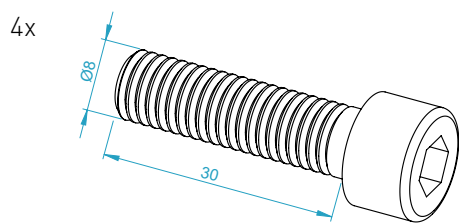
[dimensions in mm / different scales]
No extra or spare parts listed!



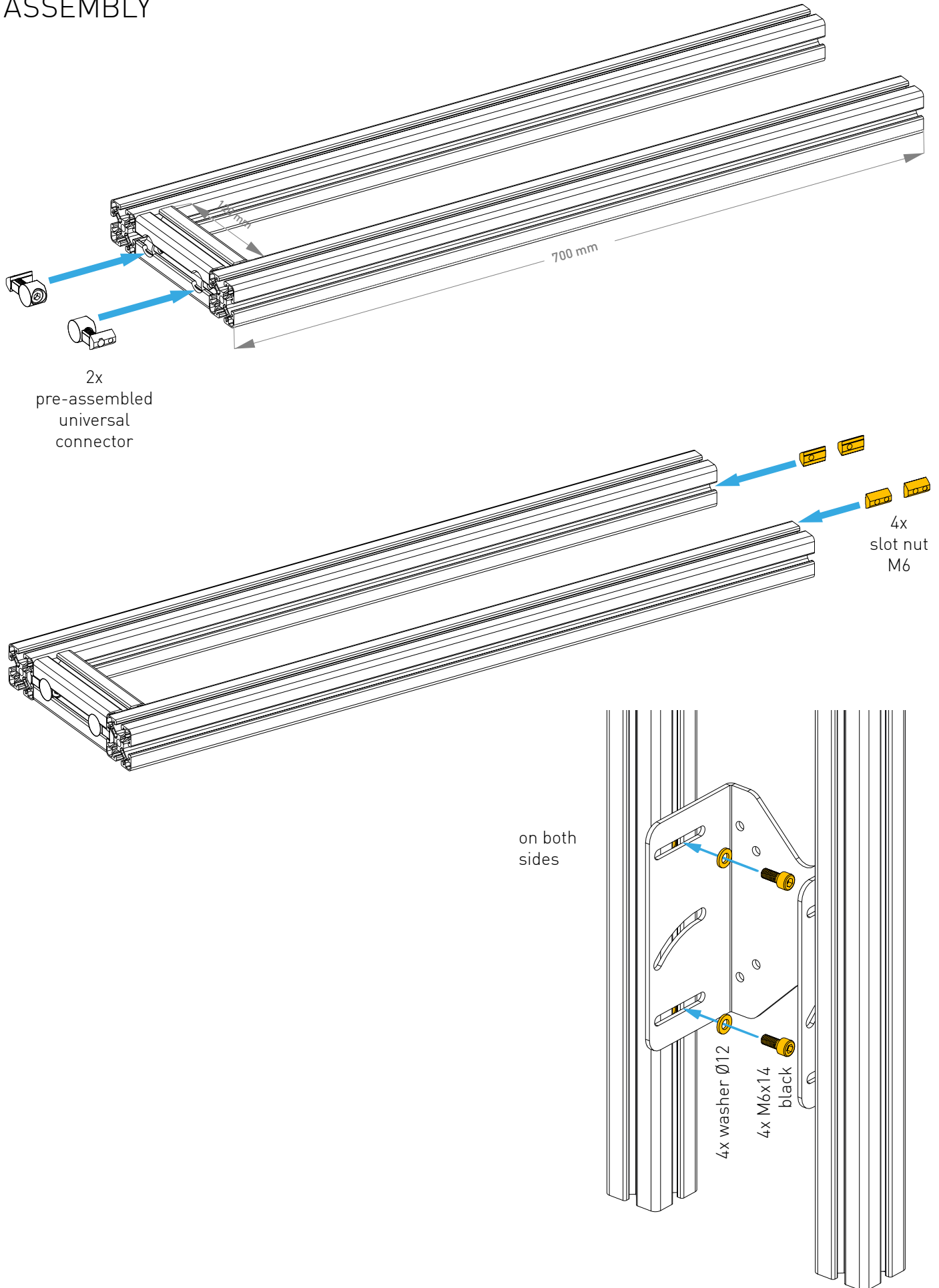
BAG 1

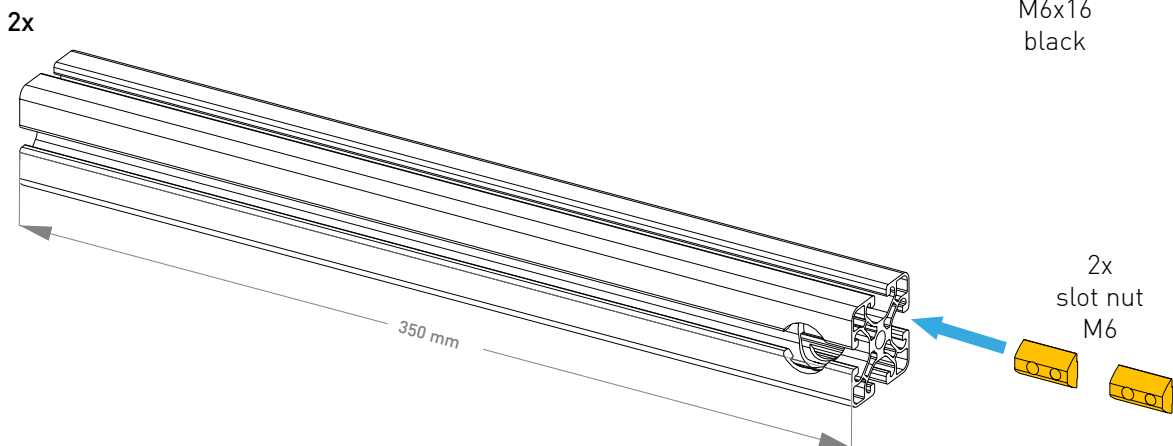
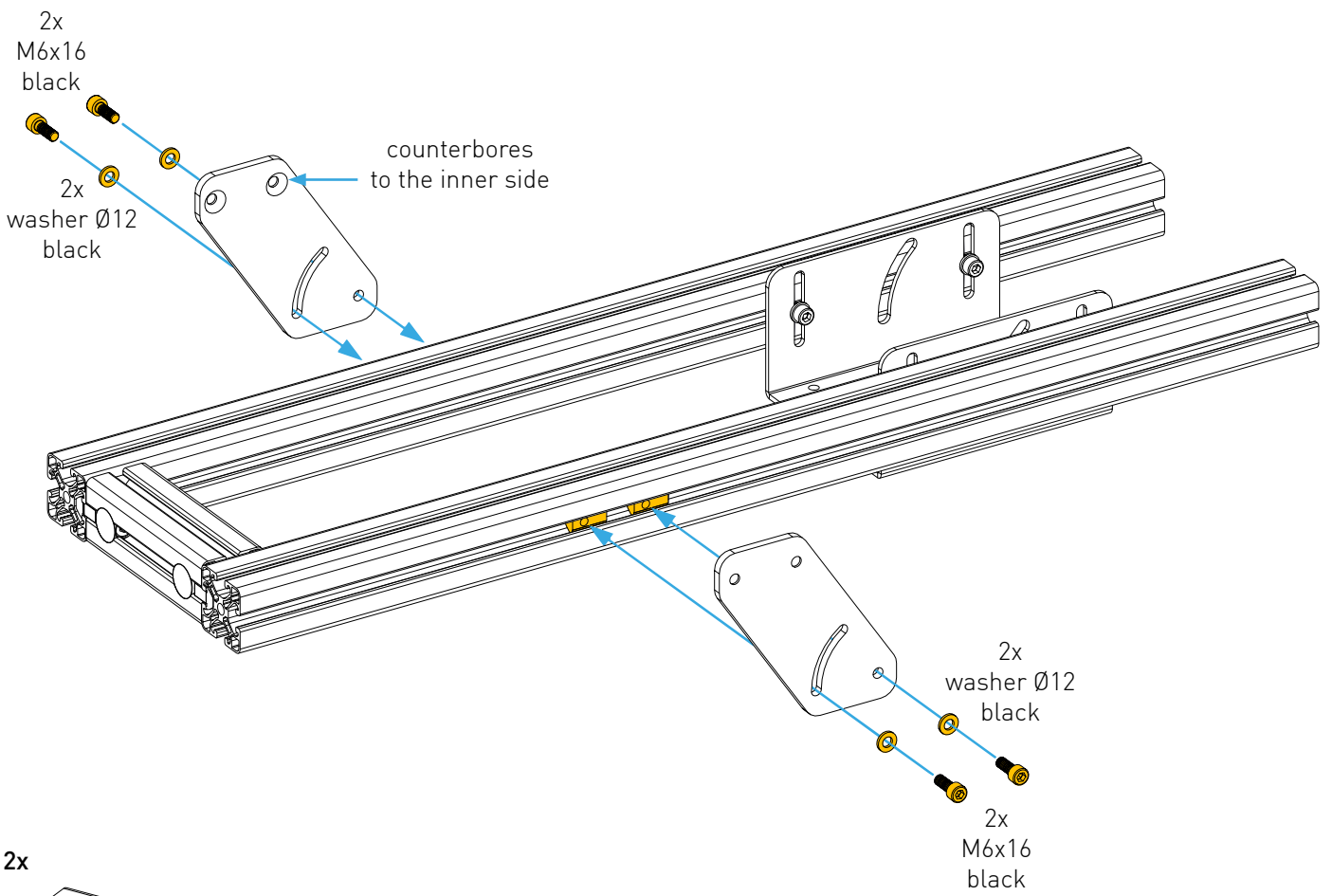
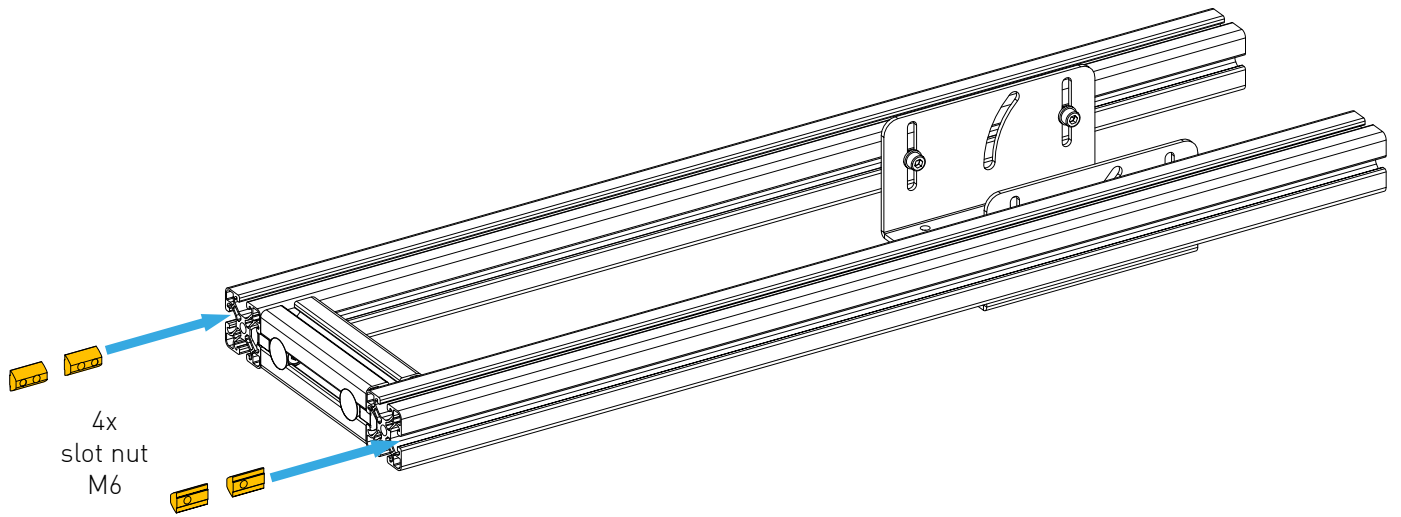


BAG 2

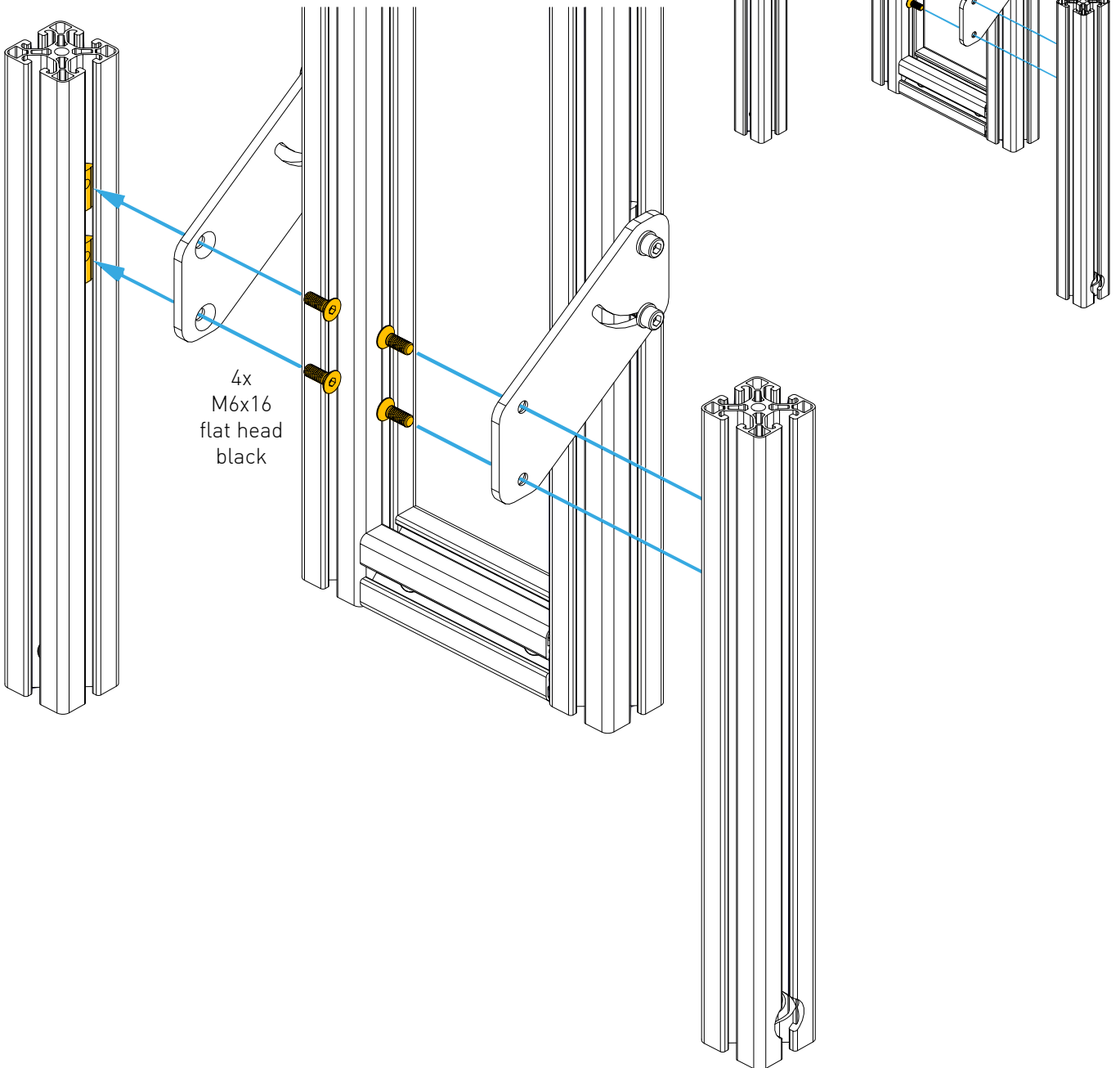


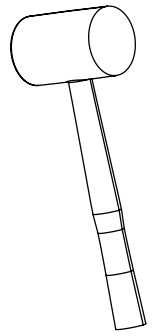
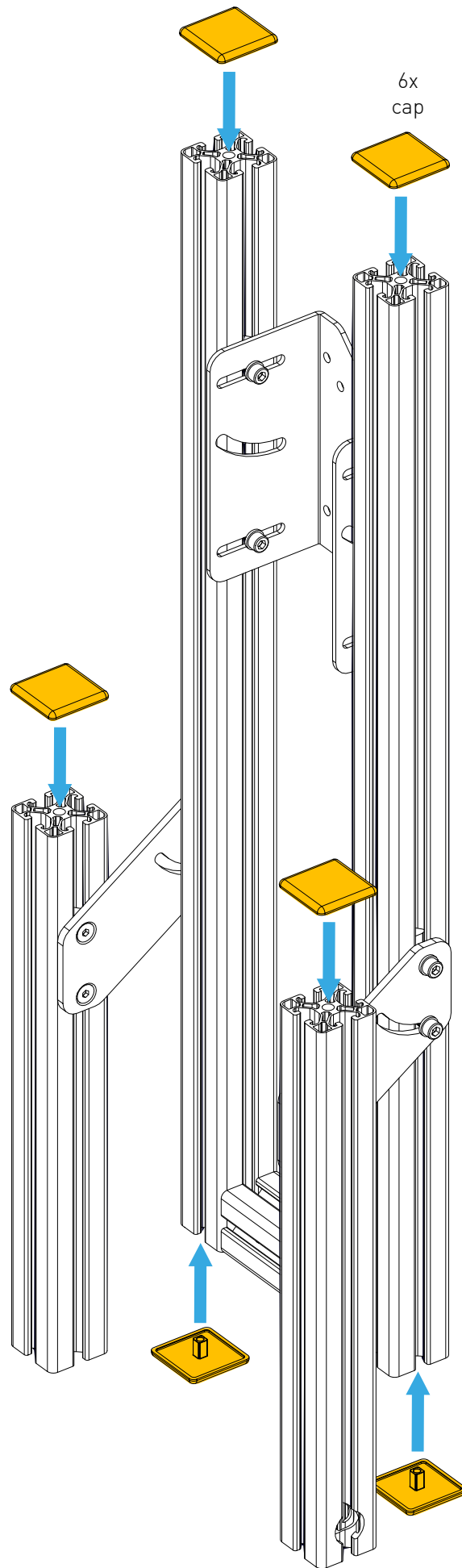
ASSEMBLY

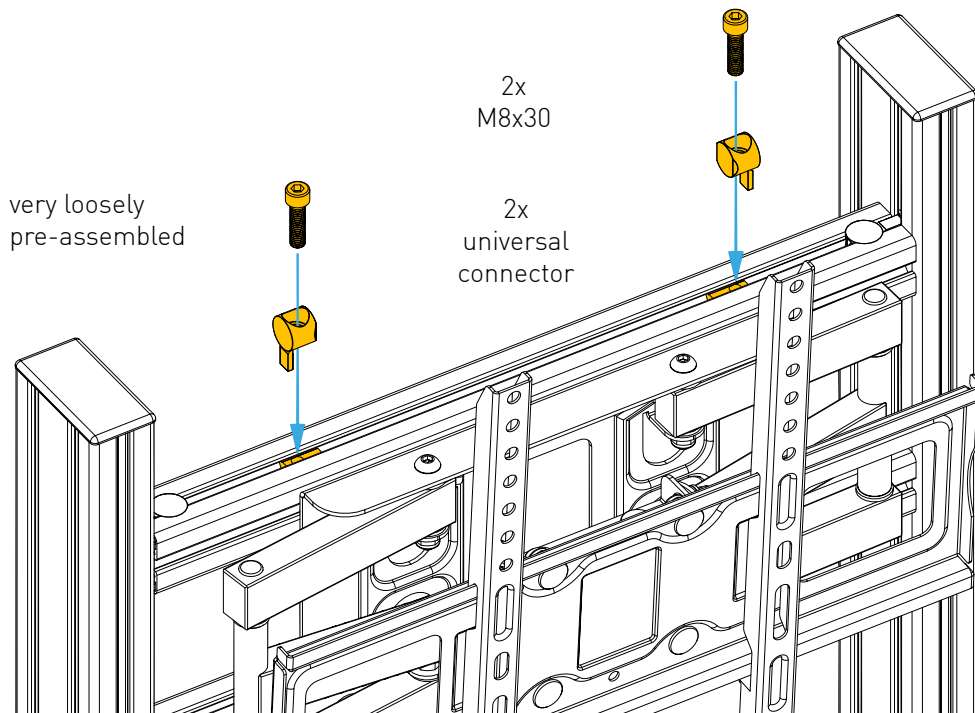
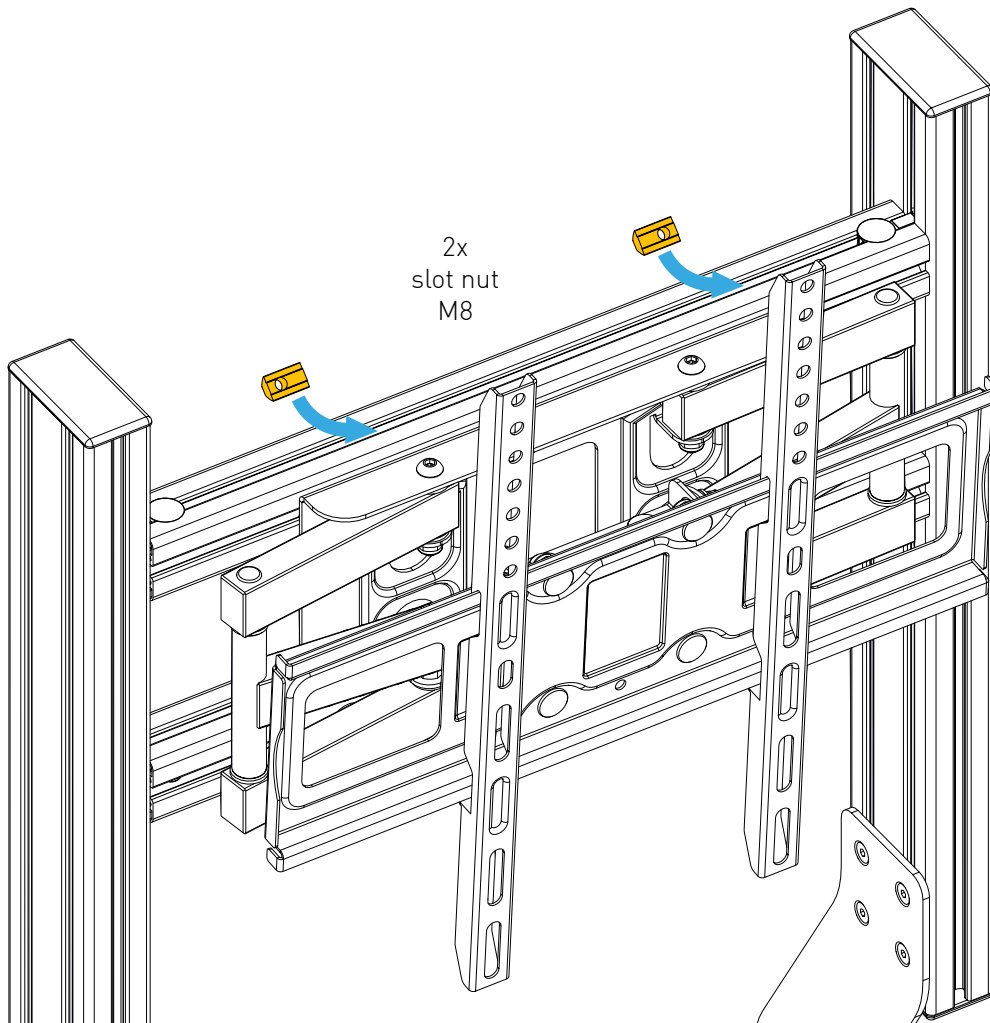


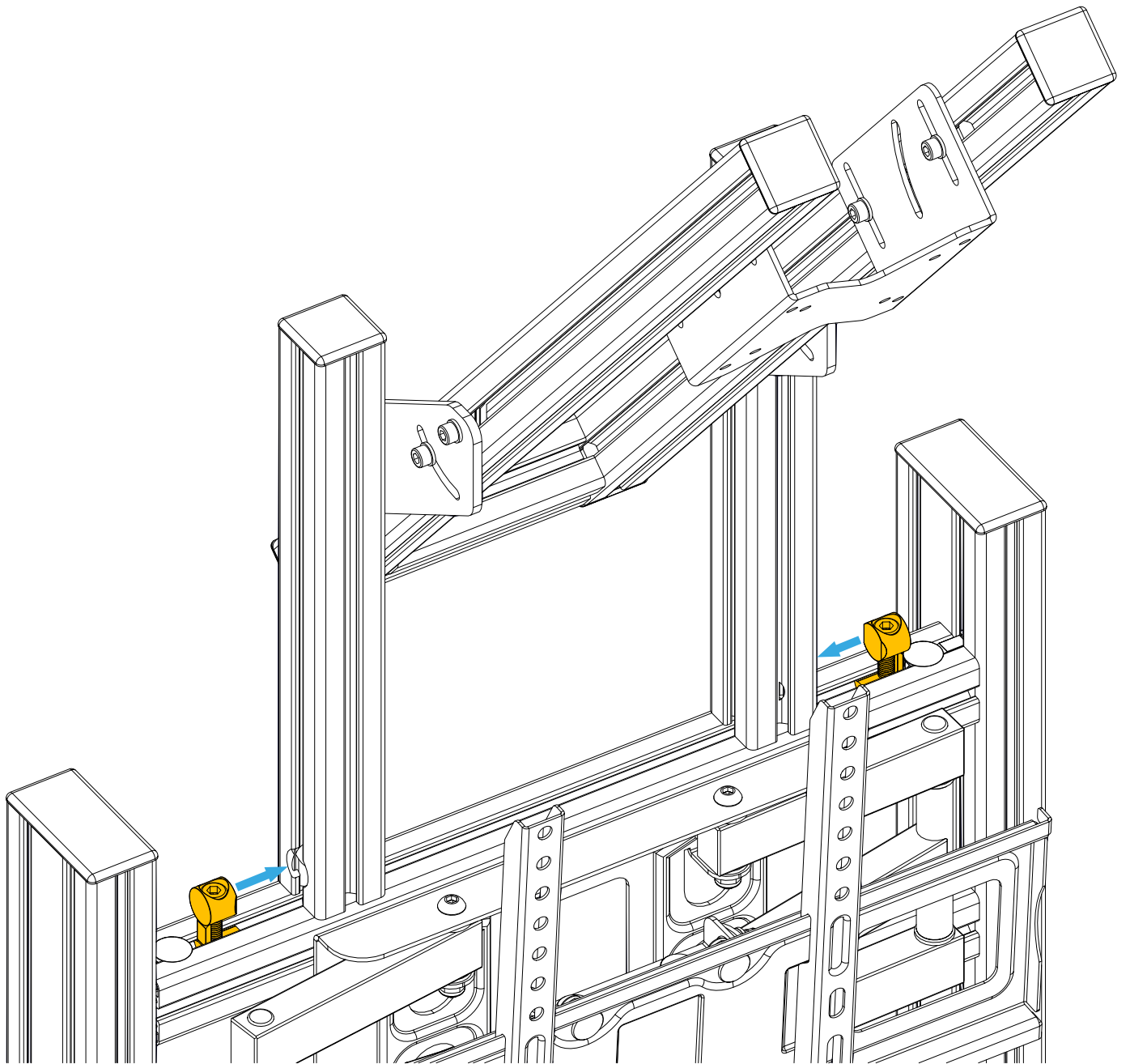


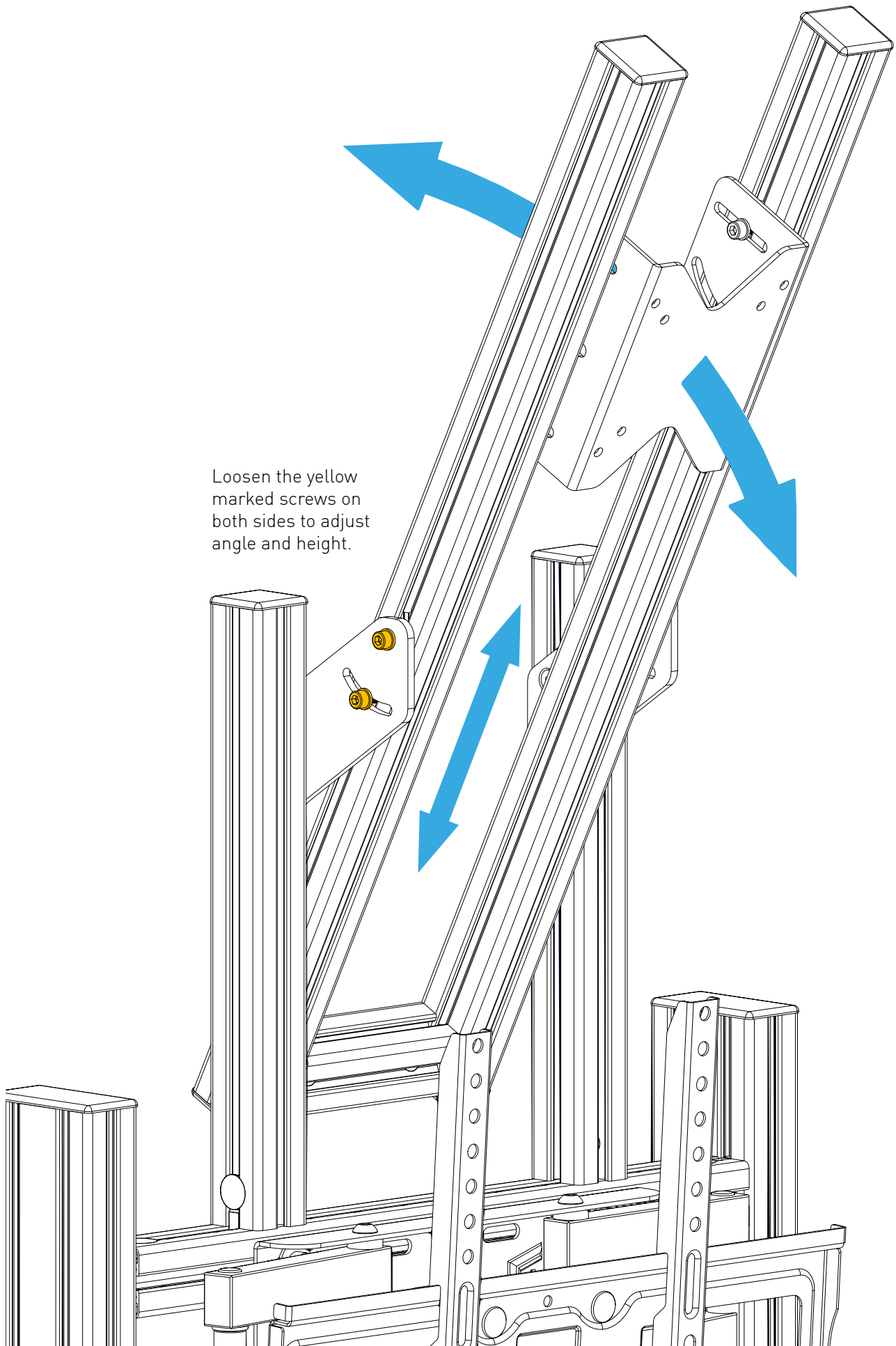
Detail



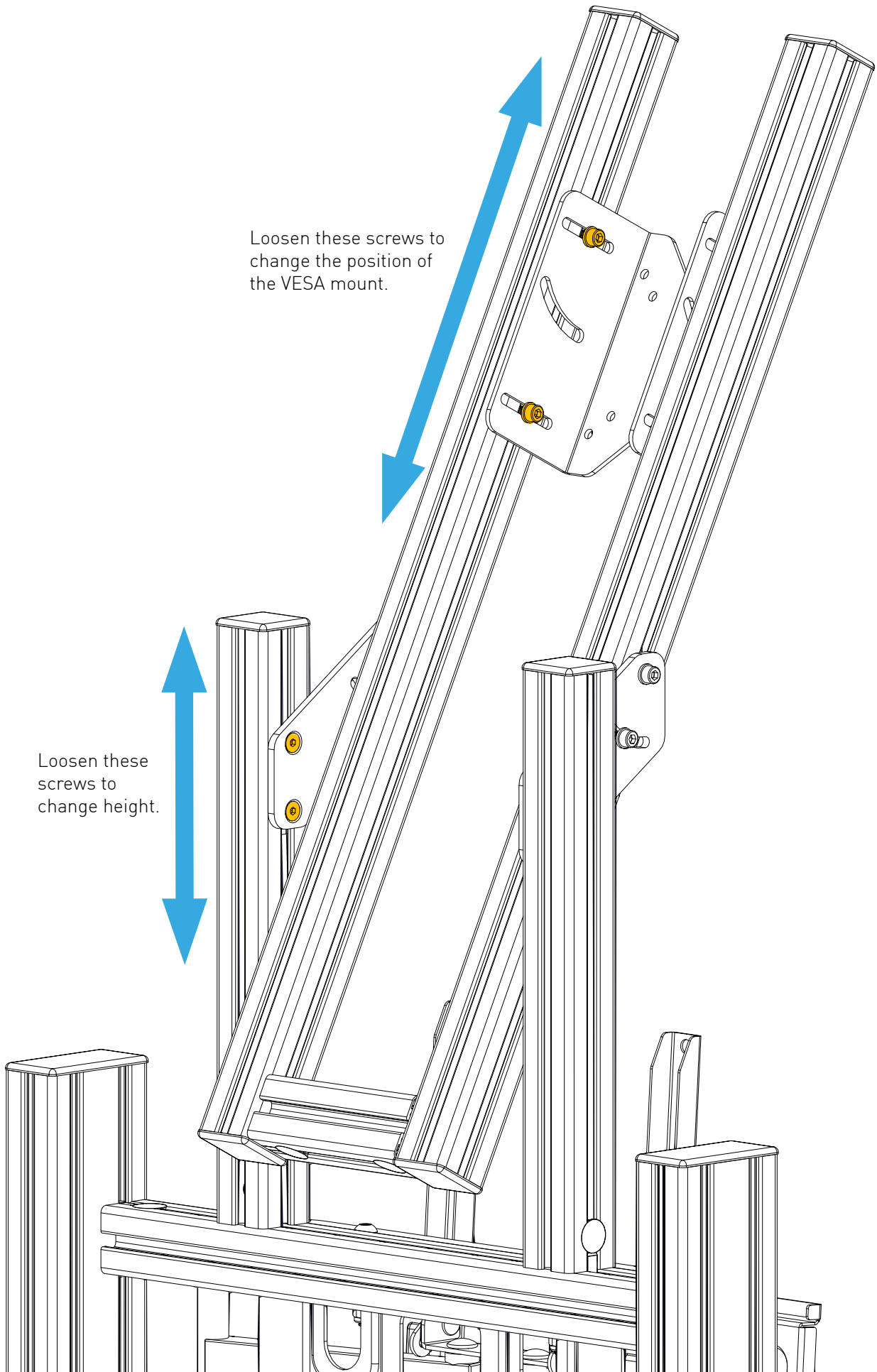








Loosen the yellow marked screws on both sides to adjust angle and height.



Loosen these screws to change the position of the VESA mount.

Loosen these screws to change height.

