

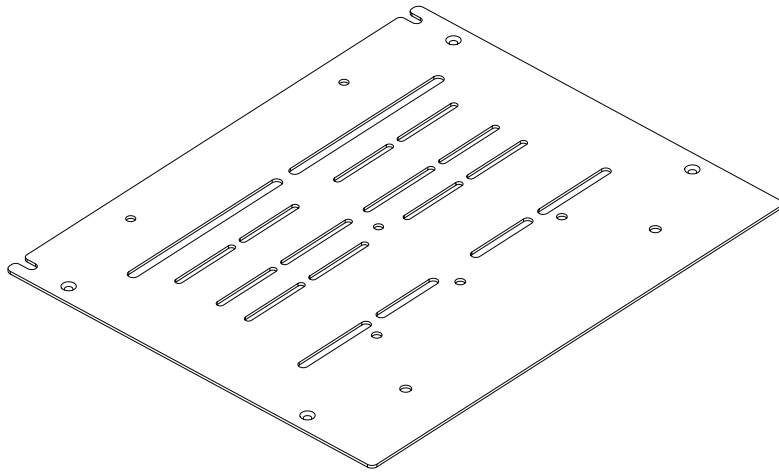
# MTS PEDAL QUICK-CHANGE

Instruction Manual  
Bedienungsanleitung  
Mode d'emploi

# PARTS

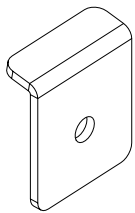
[dimensions in mm / different scales]  
No extra or spare parts listed!

1x

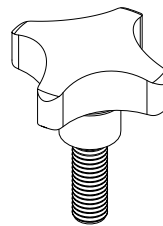


pedal plate  
(only if you ordered the set)

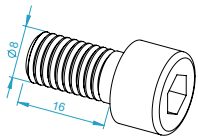
2x



2x

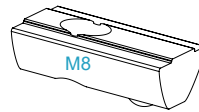


2x

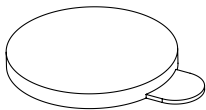


black

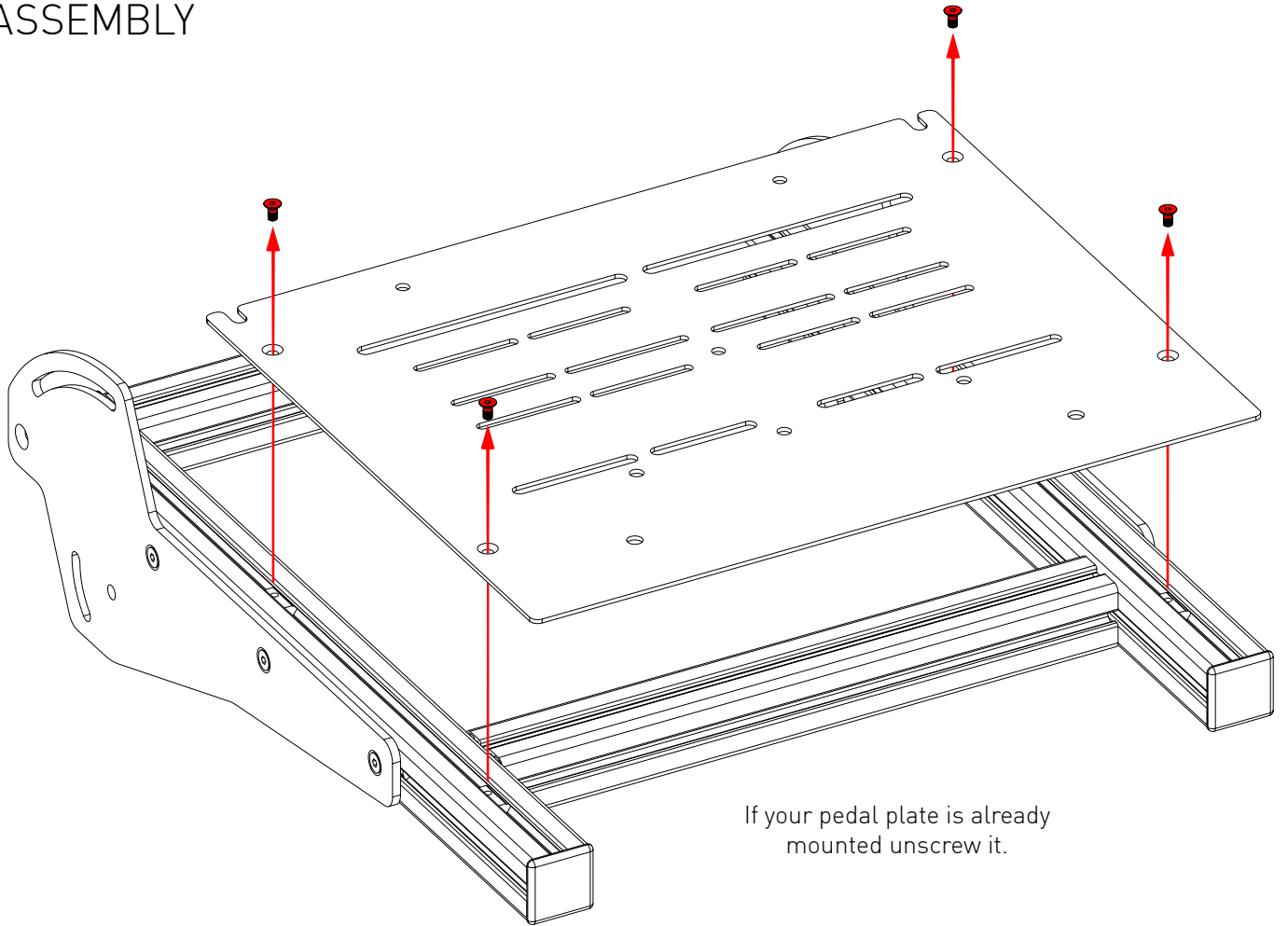
2x



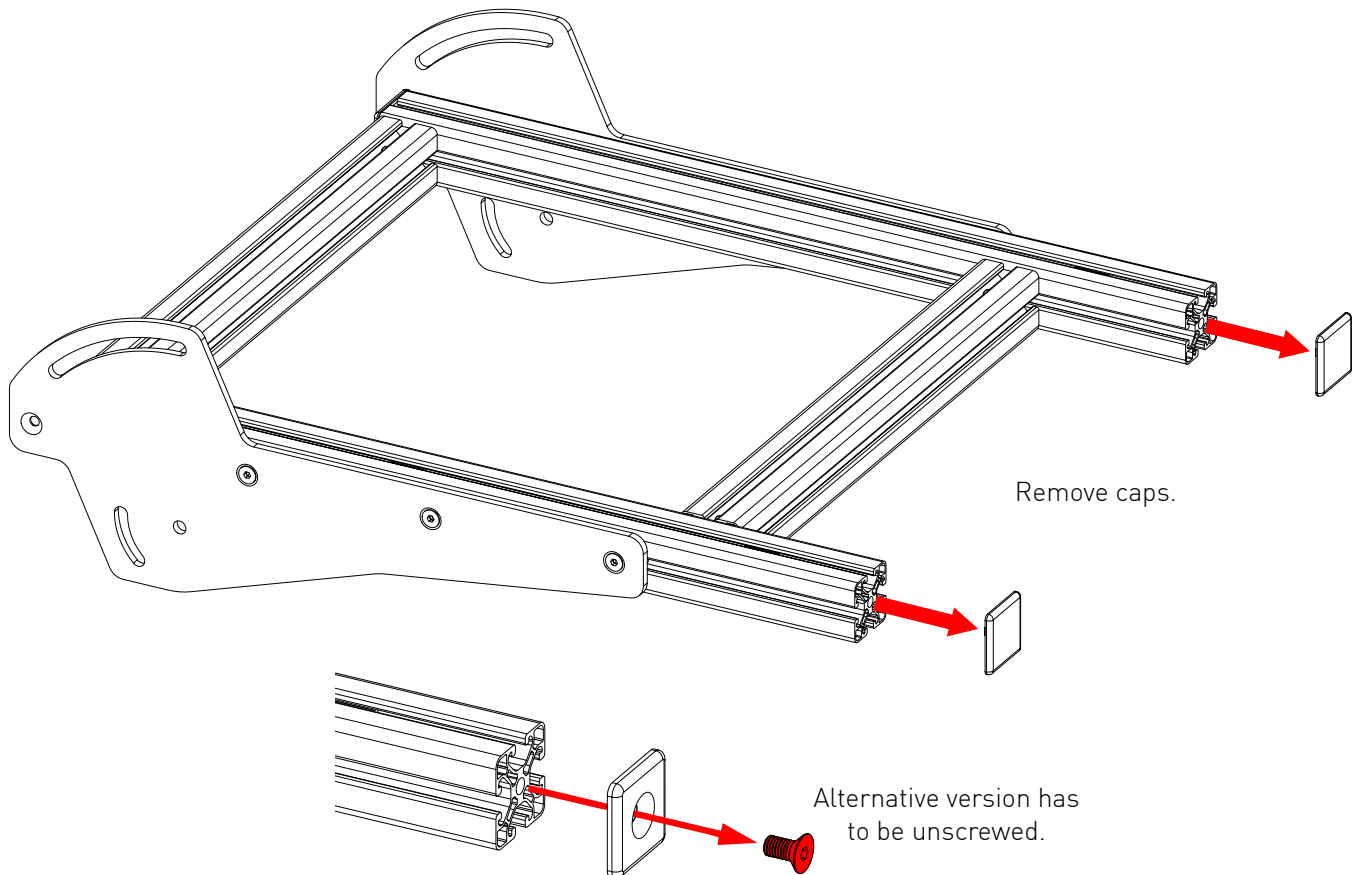
4x



# ASSEMBLY

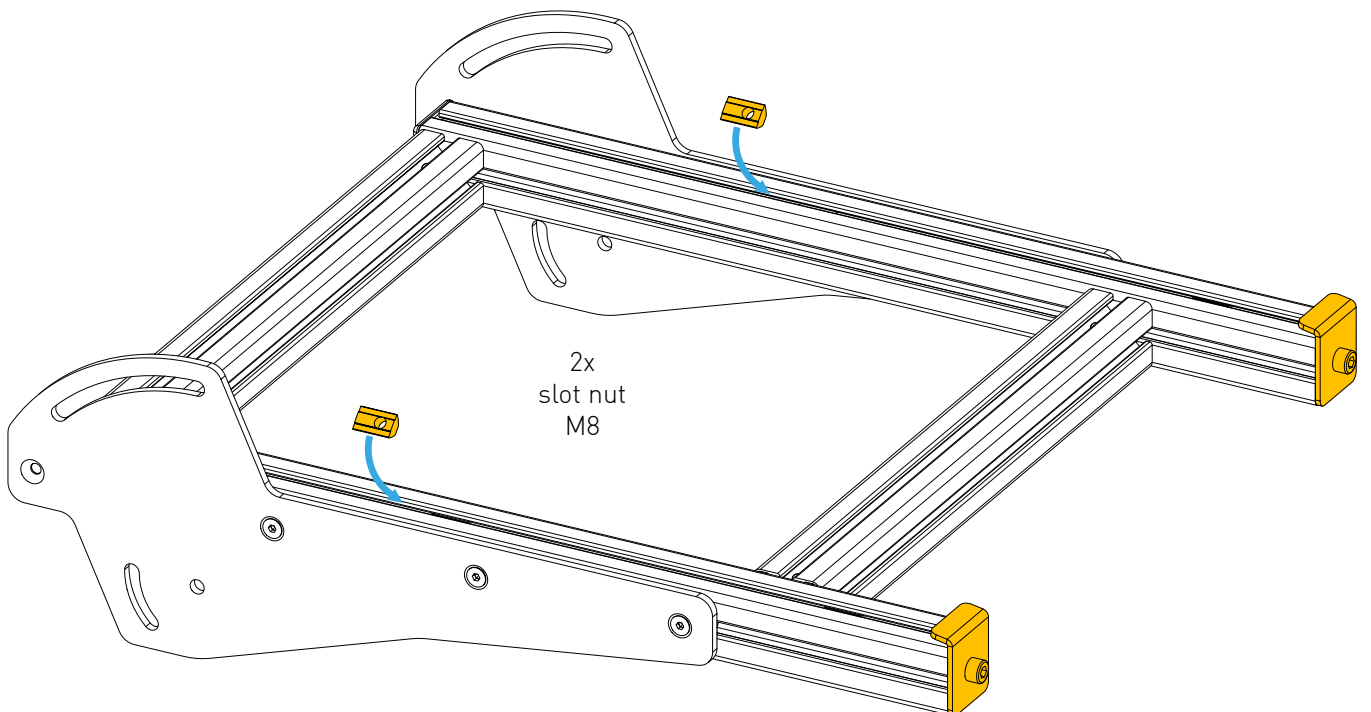
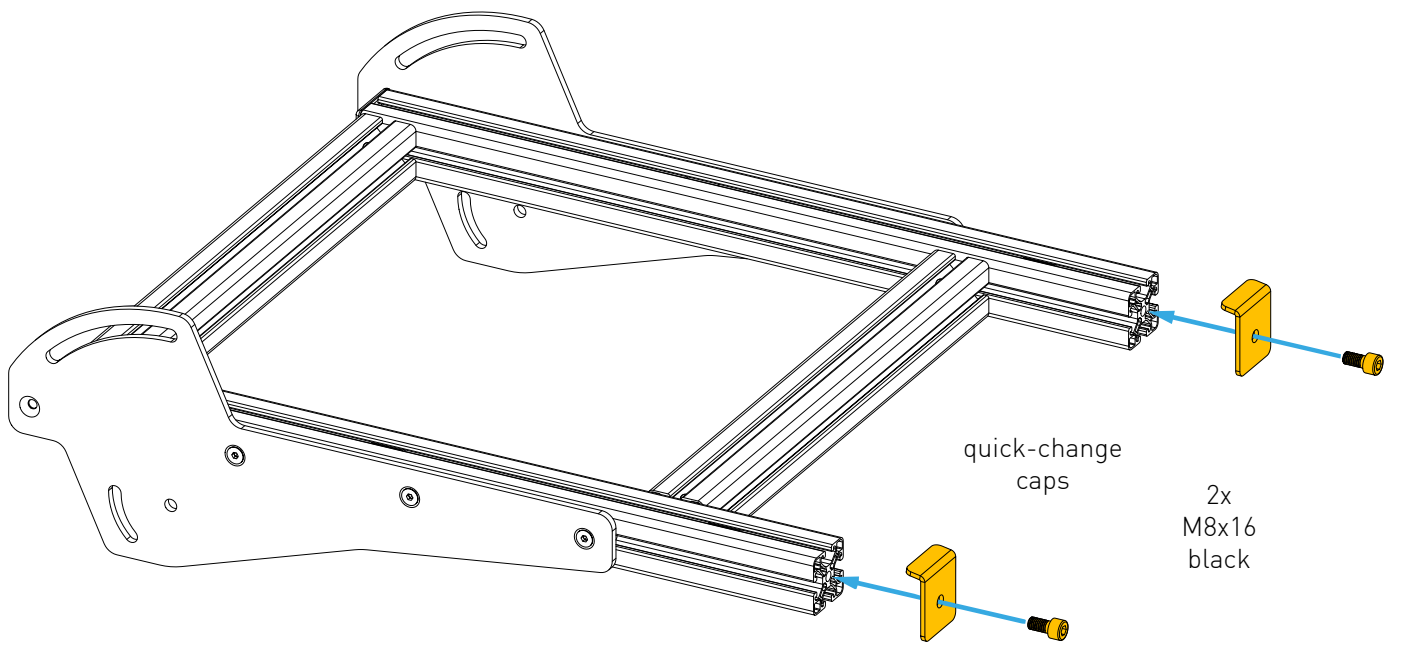


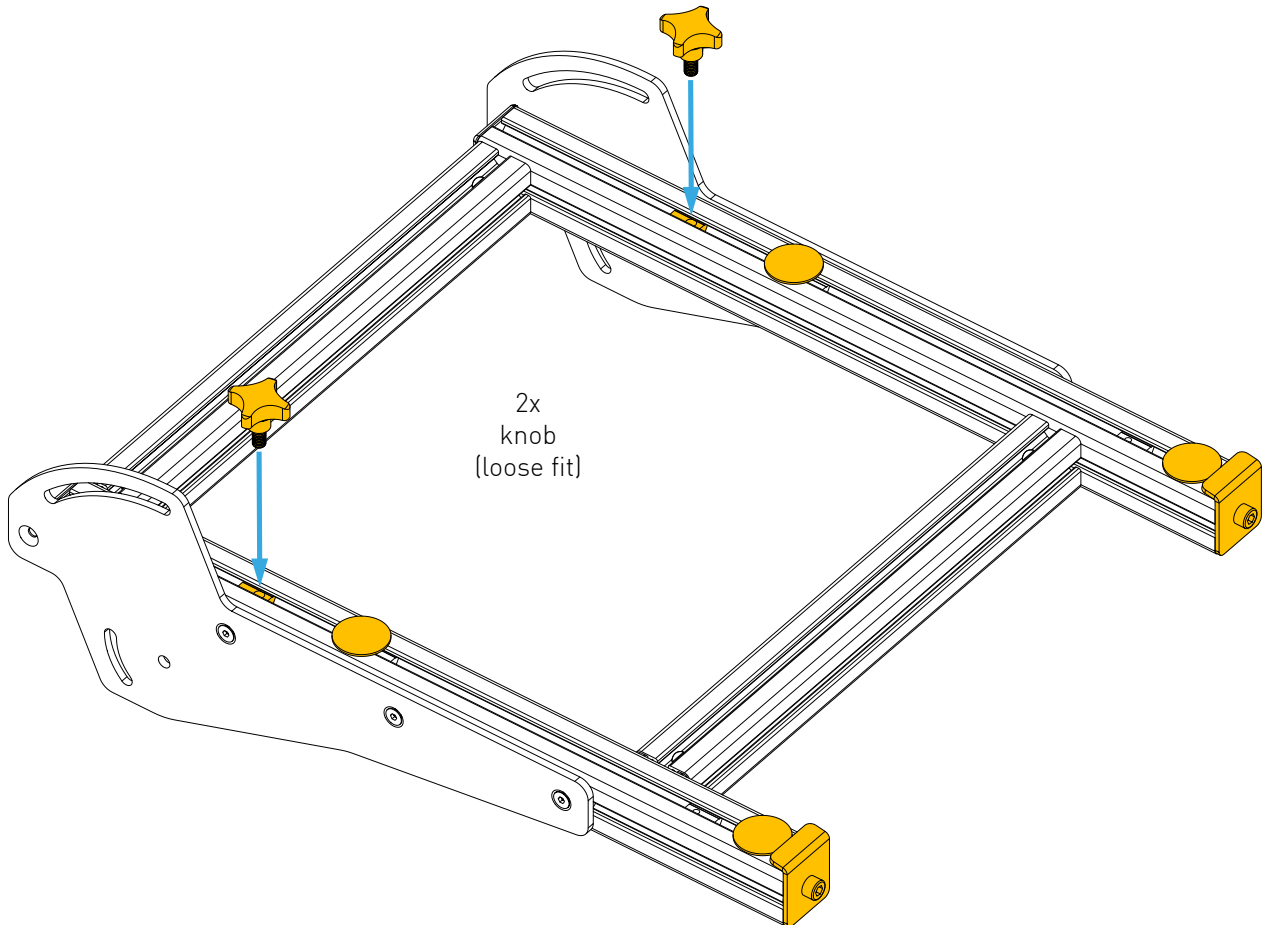
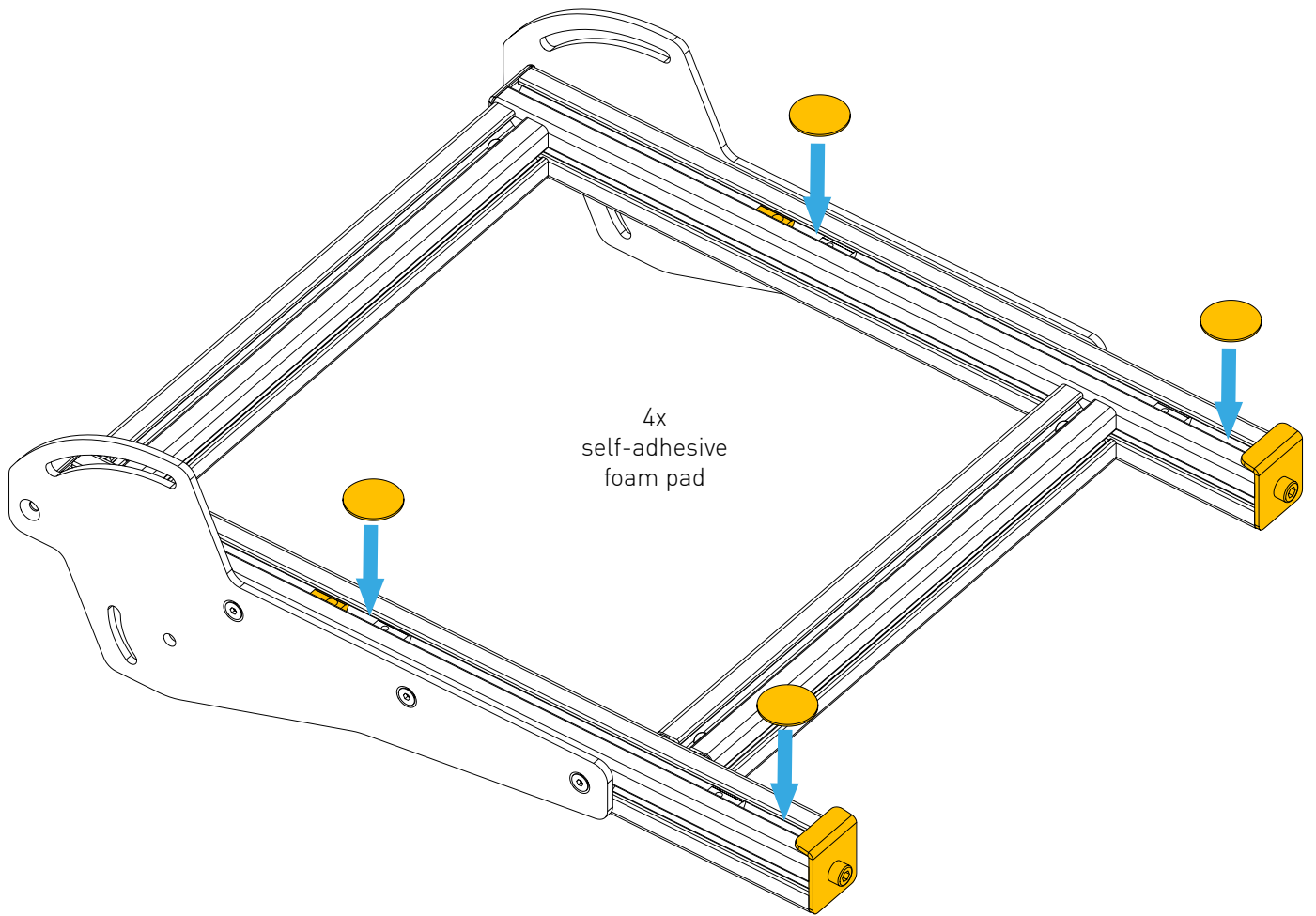
If your pedal plate is already mounted unscrew it.

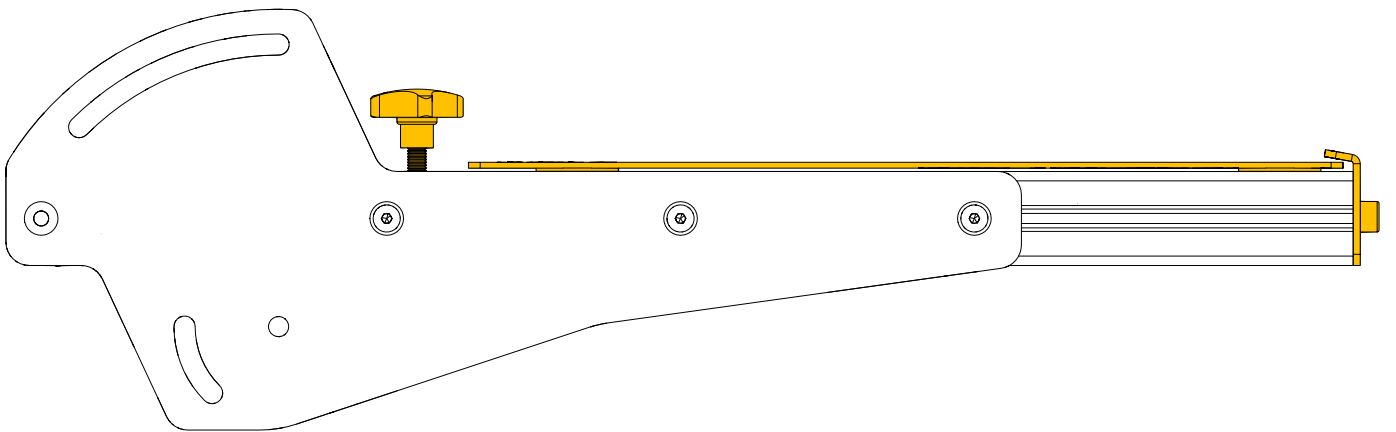
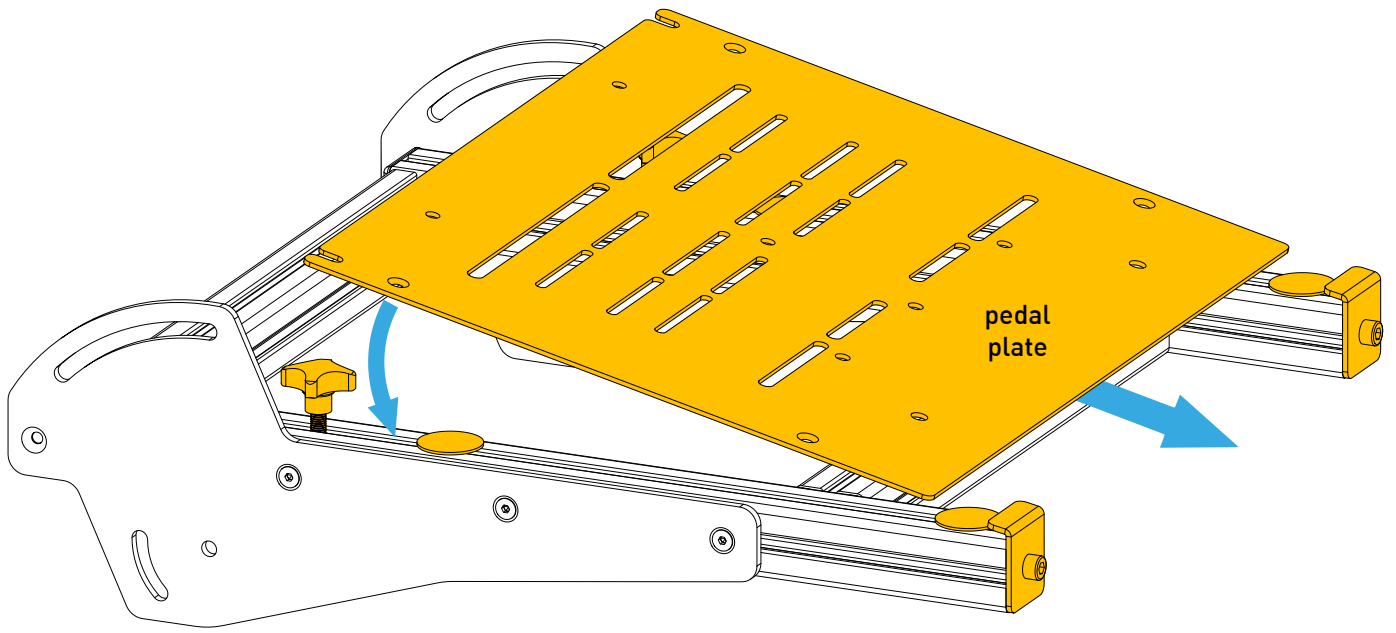


Remove caps.

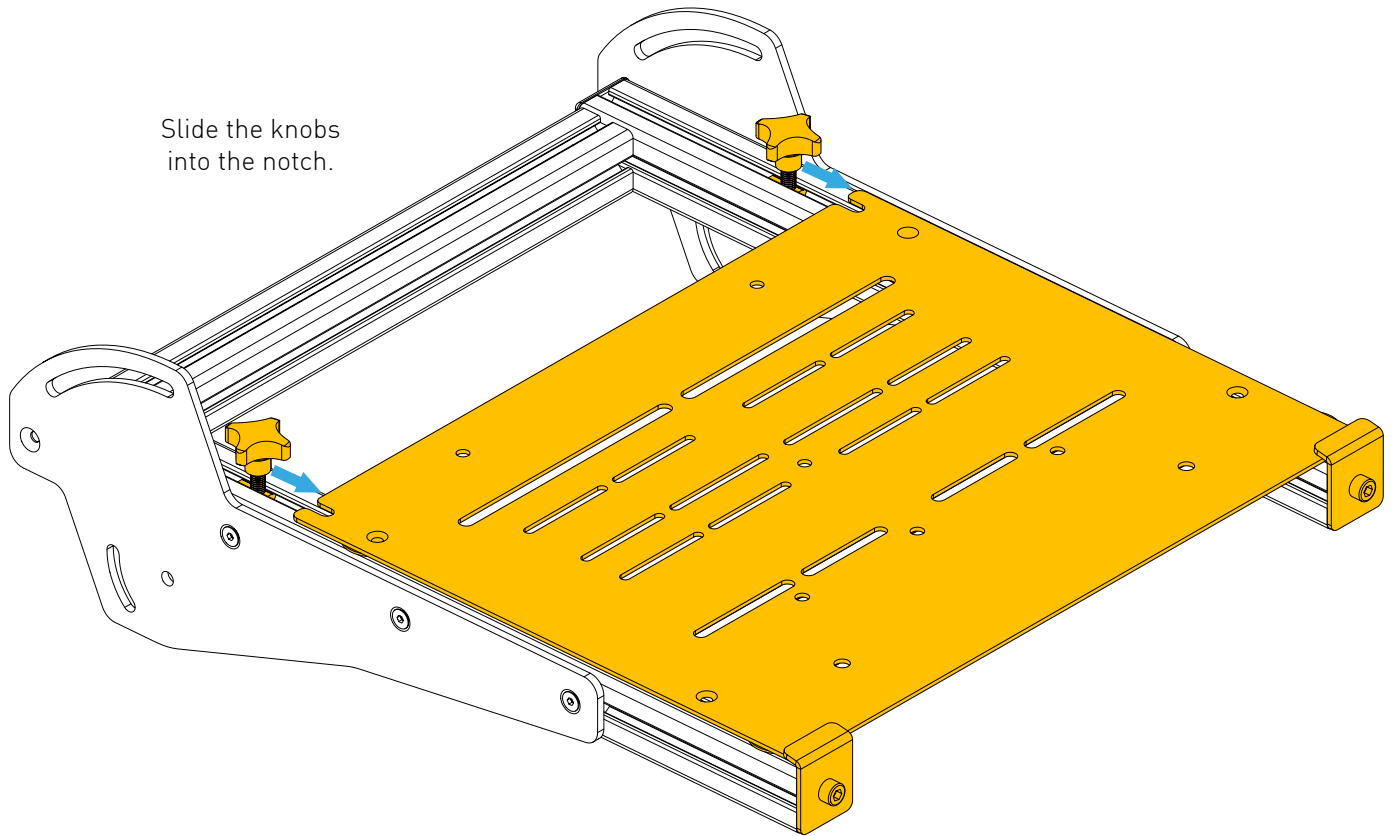
Alternative version has to be unscrewed.



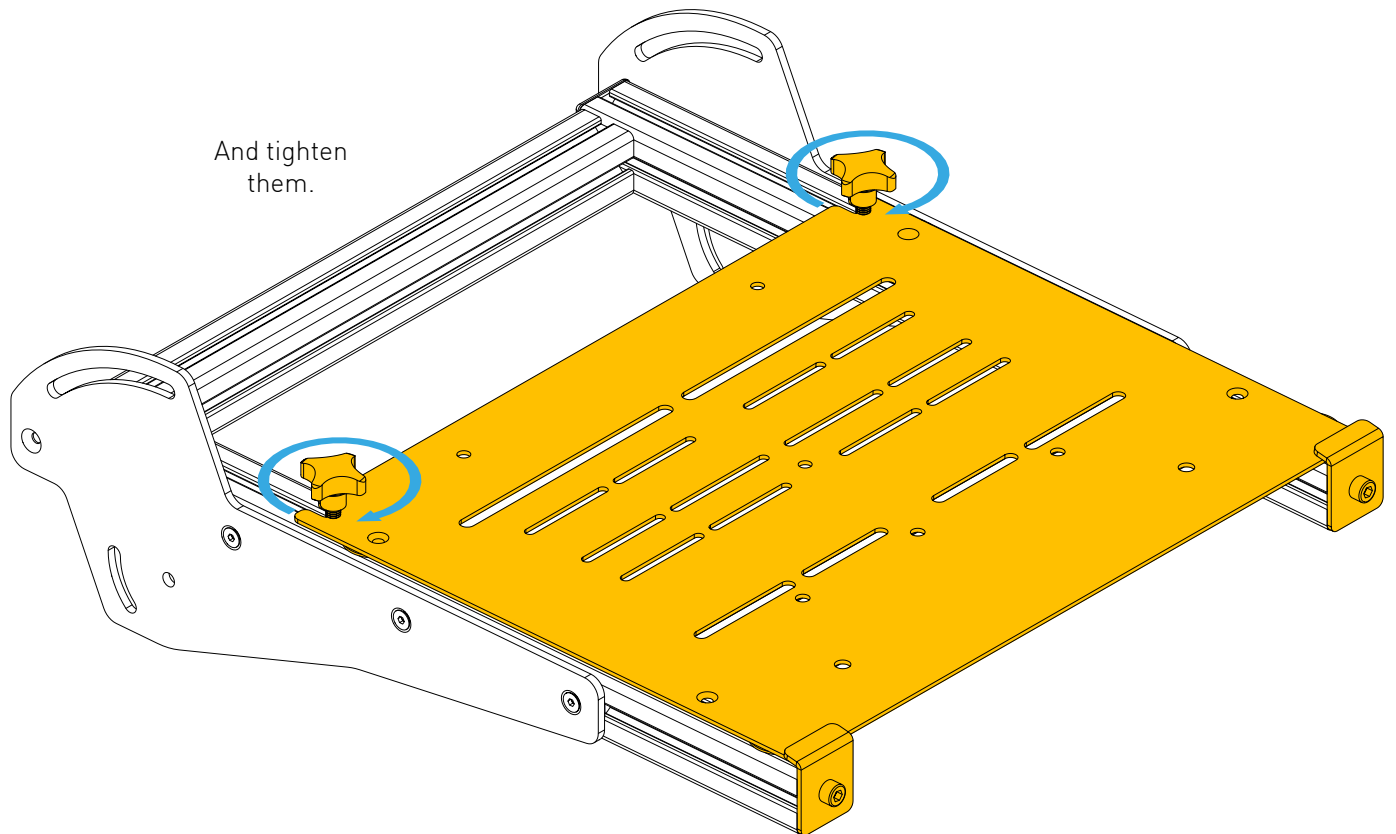


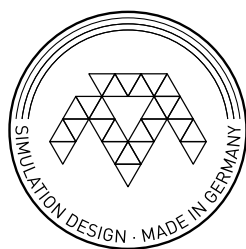


Slide the knobs  
into the notch.



And tighten  
them.





12-08-2022