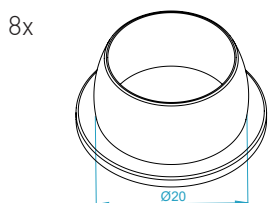
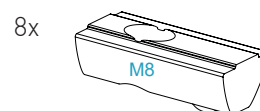
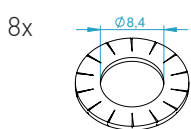
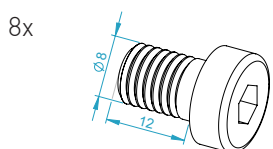
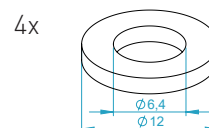
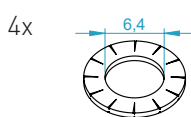
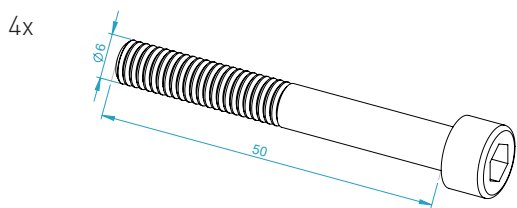
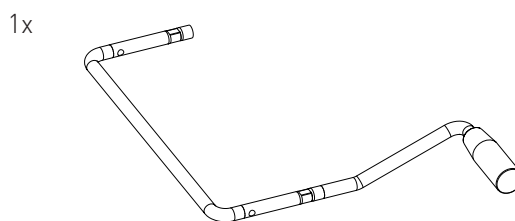
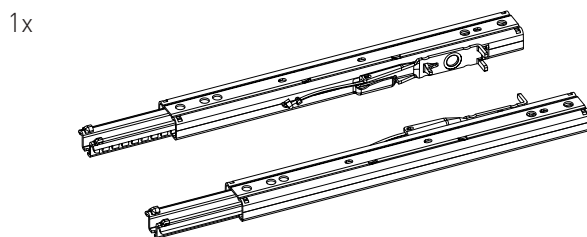
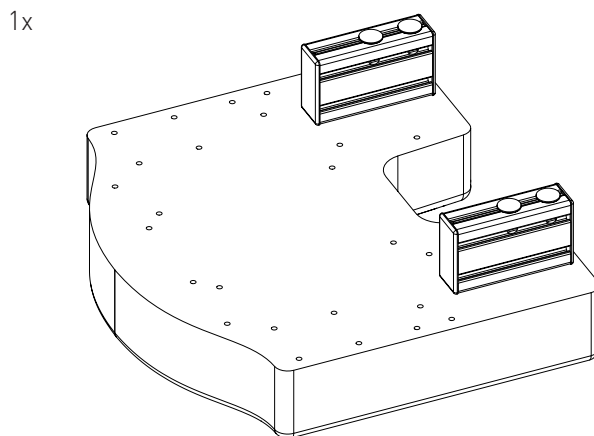
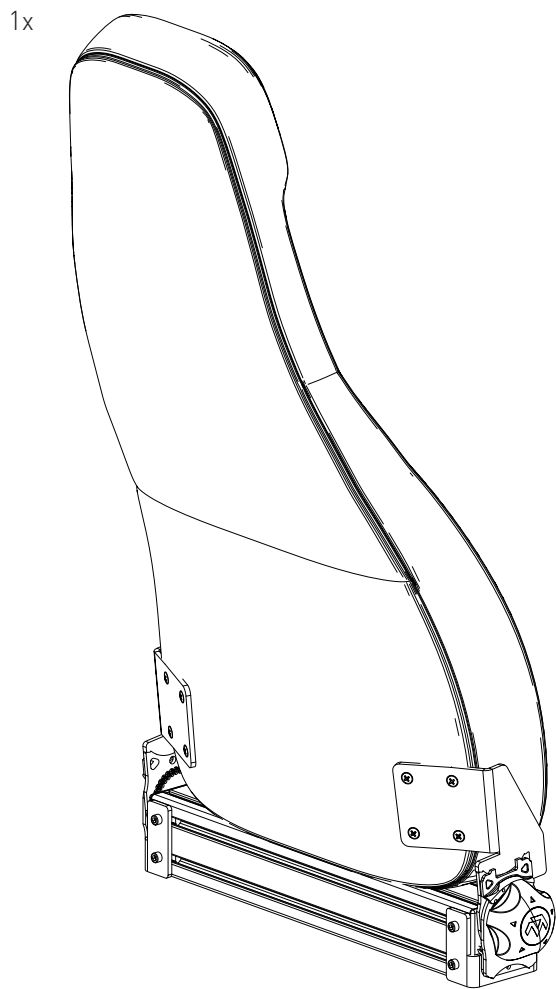


## MPS - PILOT SEAT

Instruction Manual  
Bedienungsanleitung  
Mode d'emploi

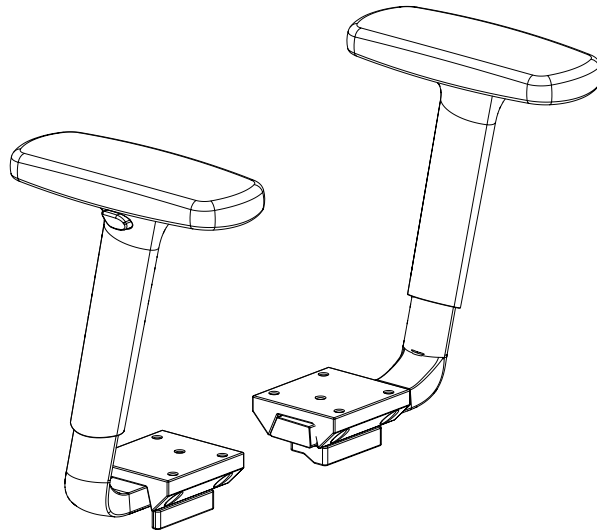
# PARTS

[dimensions in mm / different scales]  
No extra or spare parts listed!



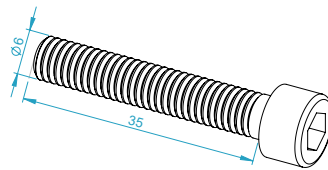
# PARTS FOR OPTIONAL ARM-RESTS

1x

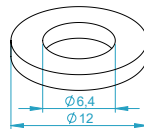


Already positioned in the appropriate threads under the seat (unscrew first)

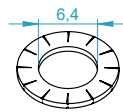
8x



8x

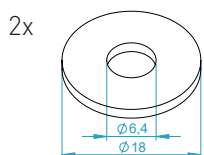
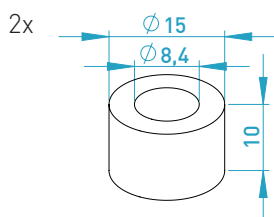
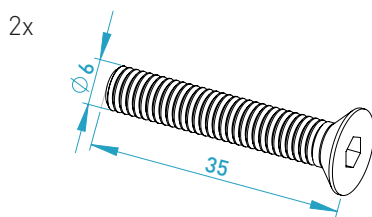
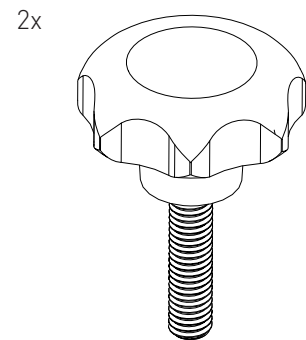
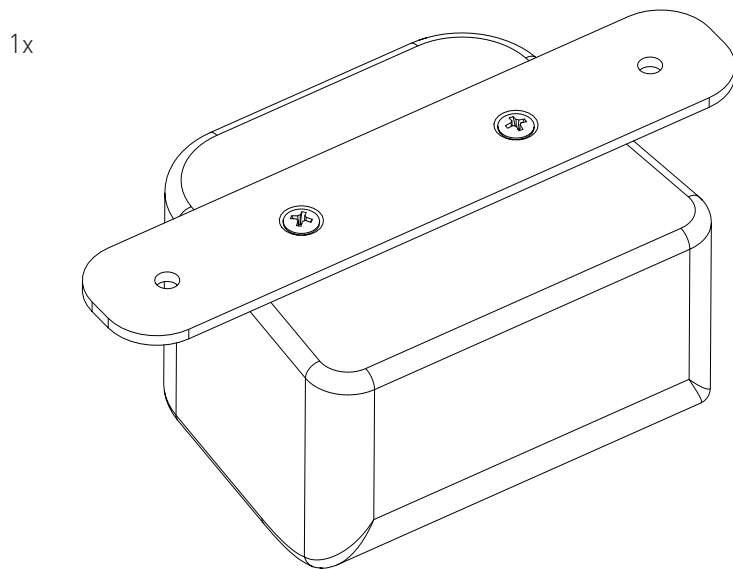


8x

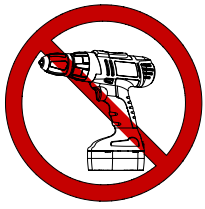


# PARTS FOR THE OPTIONAL JOYSTICK CUTOUT DELETE INSERT

[dimensions in mm / different scales]  
No extra or spare parts listed!

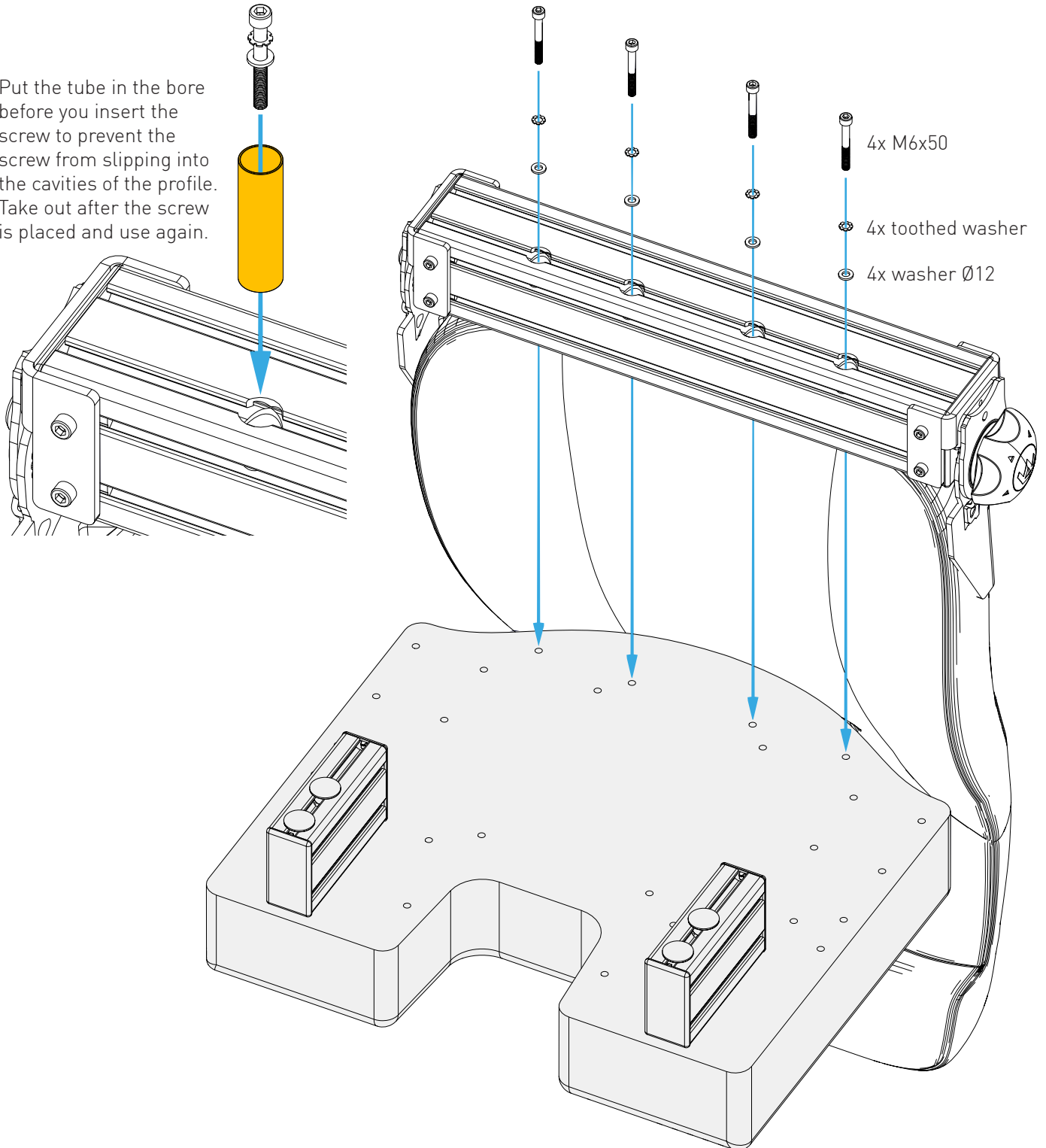


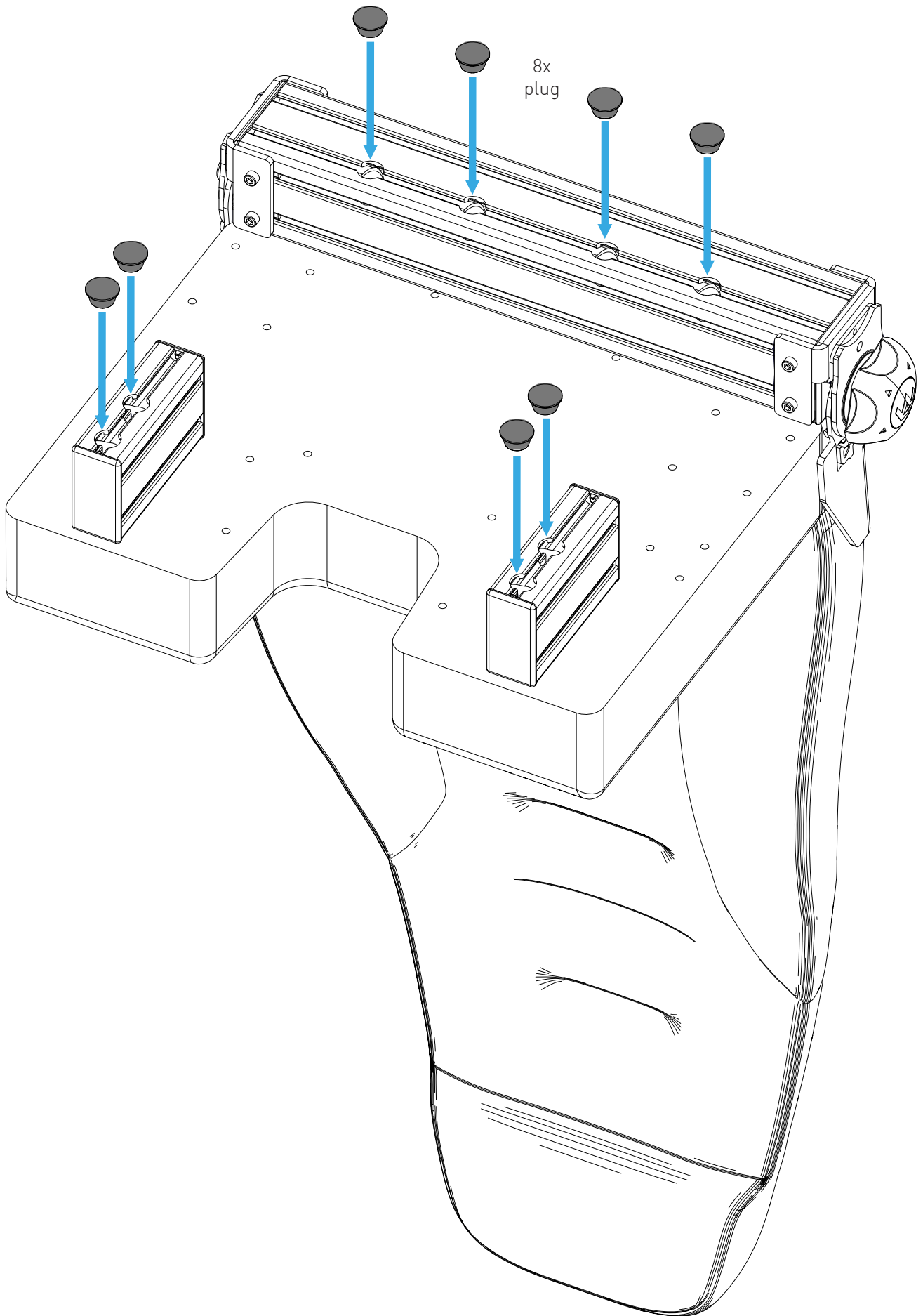
# ASSEMBLY



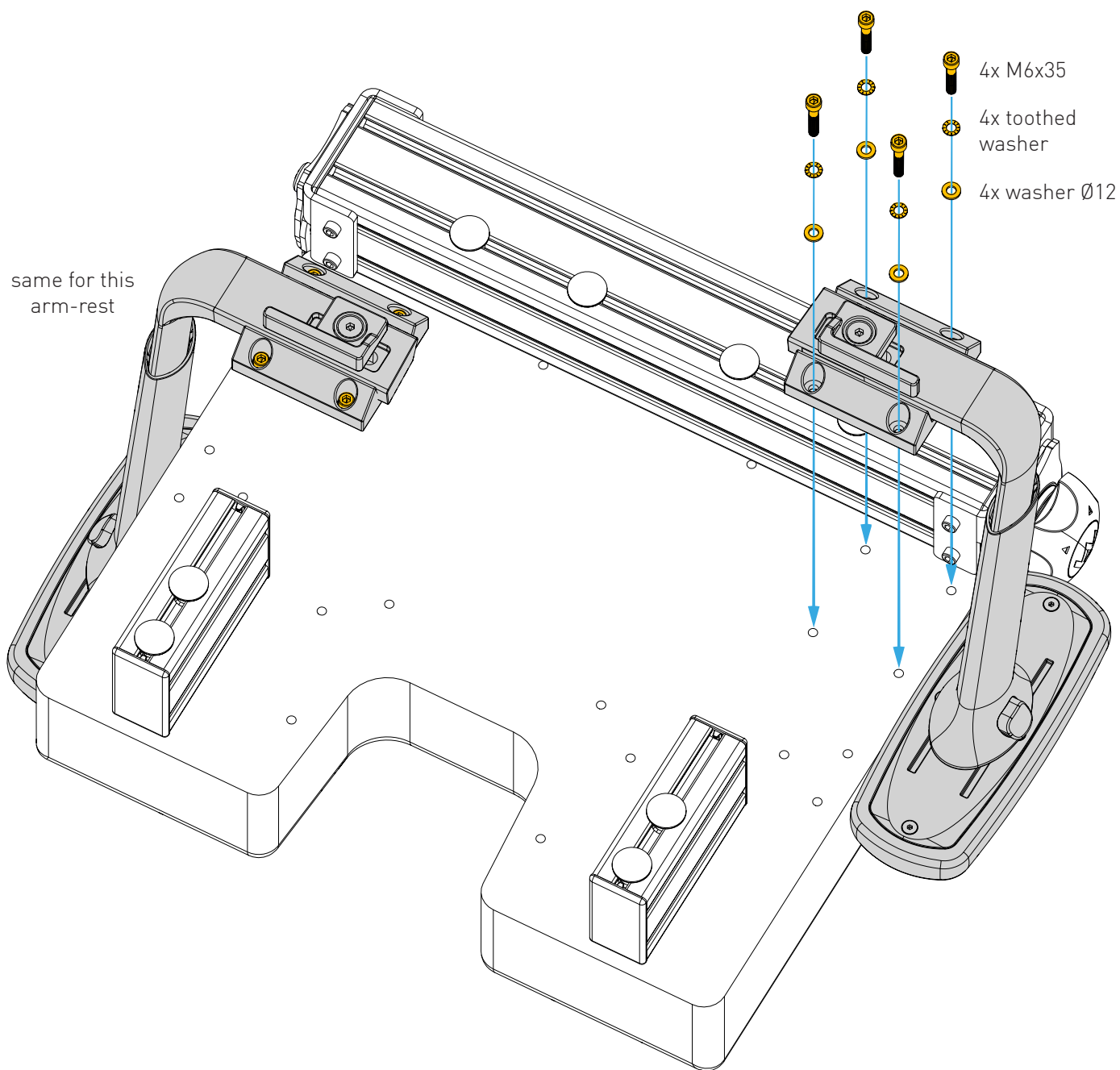
It is not recommended to use power tools.  
Please make sure the screws are running smoothly in the threads.  
If not readjust the screw.  
Do not use too much downward pressure.

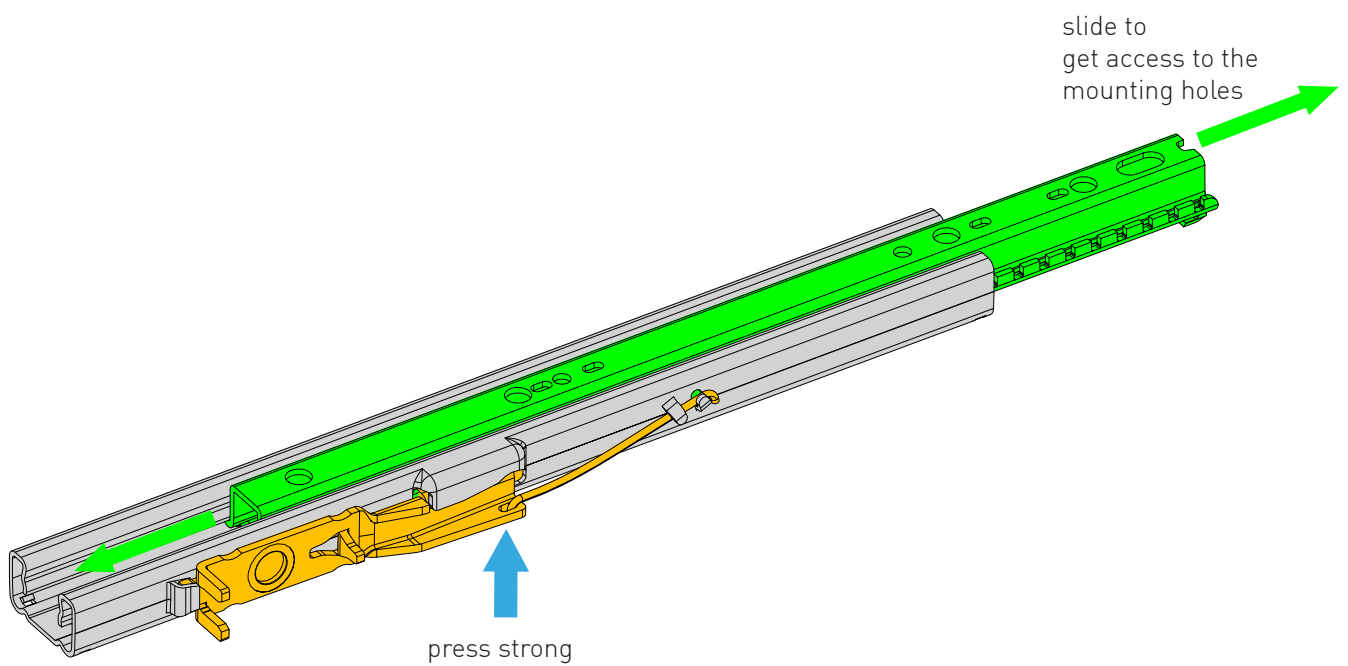
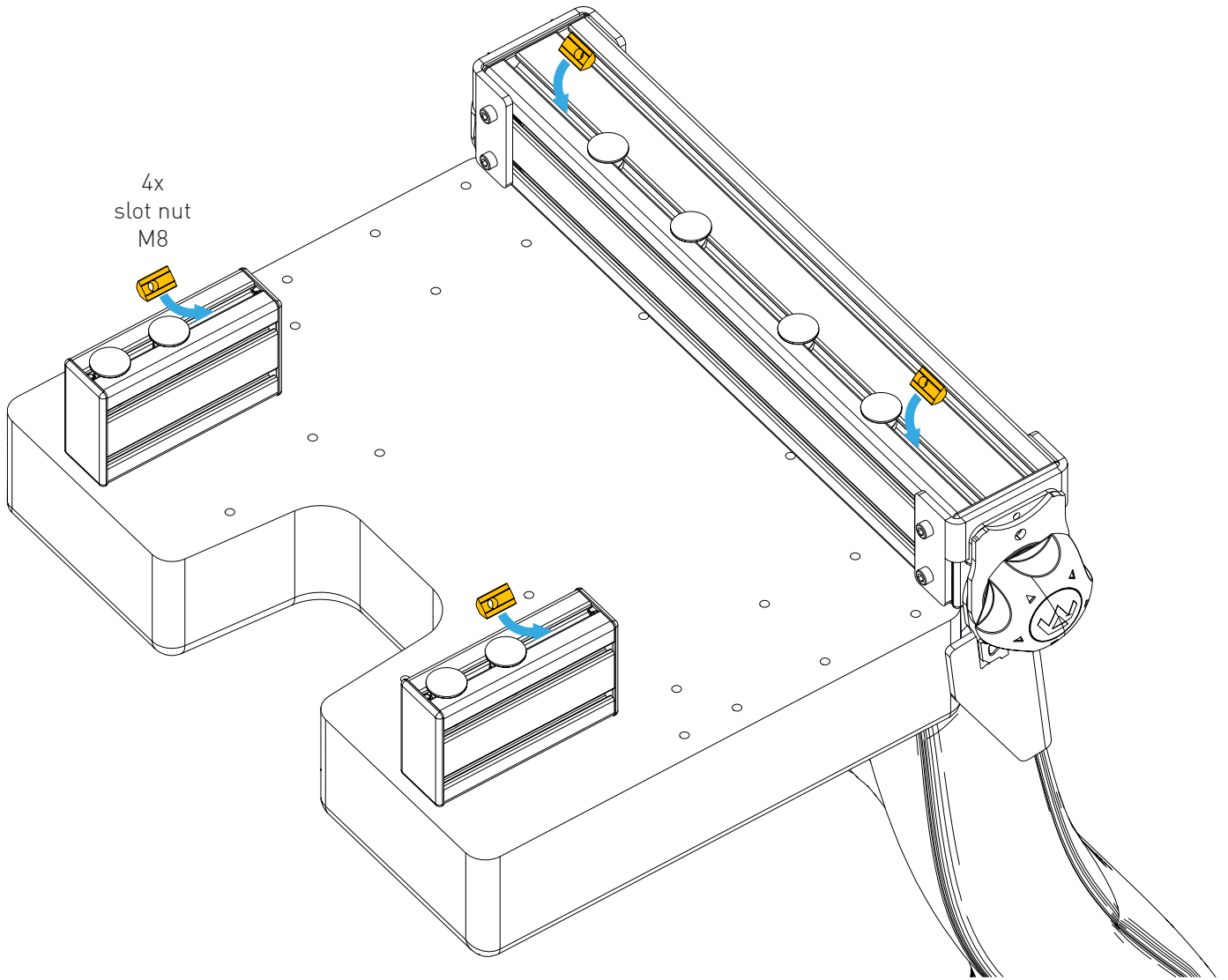
Put the tube in the bore  
before you insert the  
screw to prevent the  
screw from slipping into  
the cavities of the profile.  
Take out after the screw  
is placed and use again.



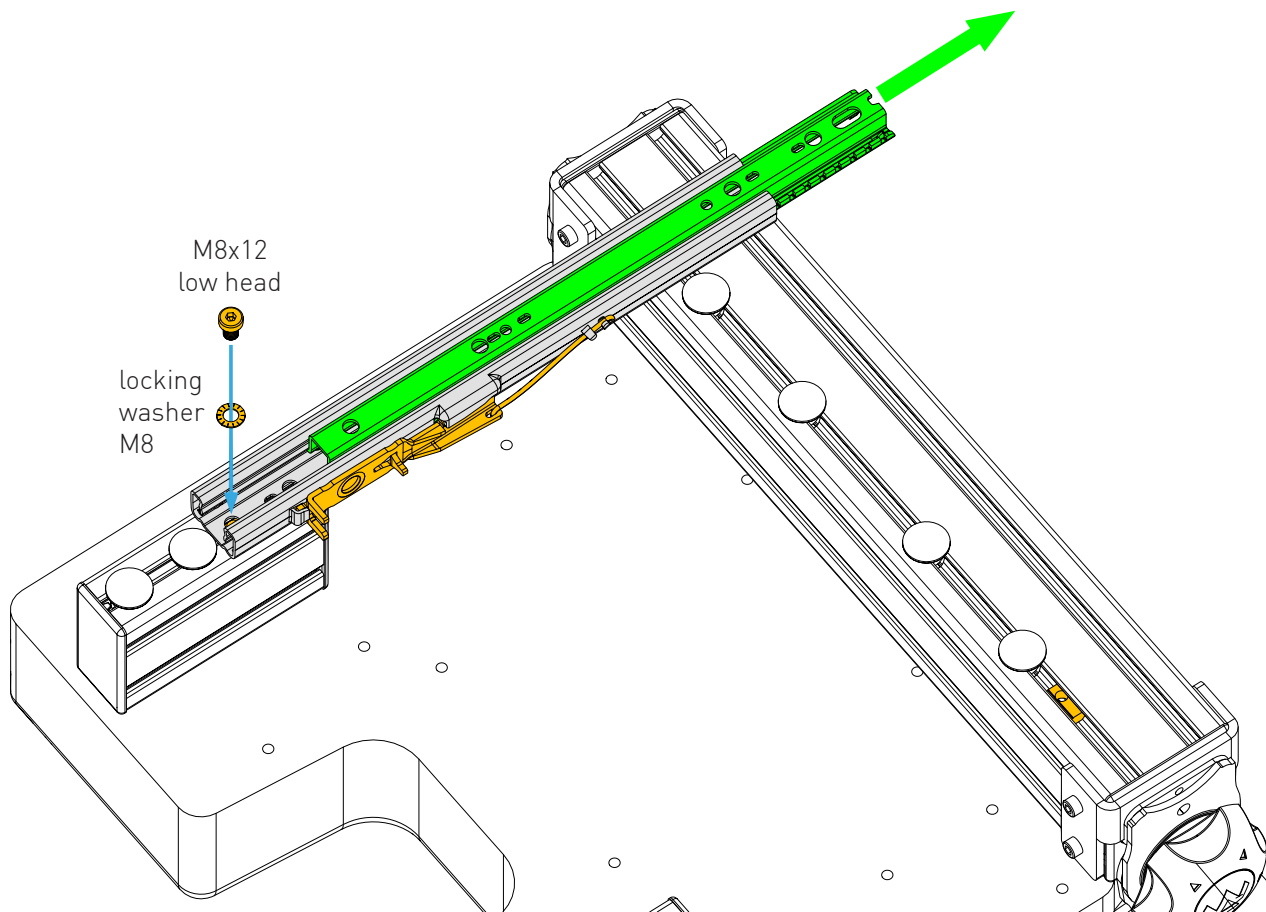
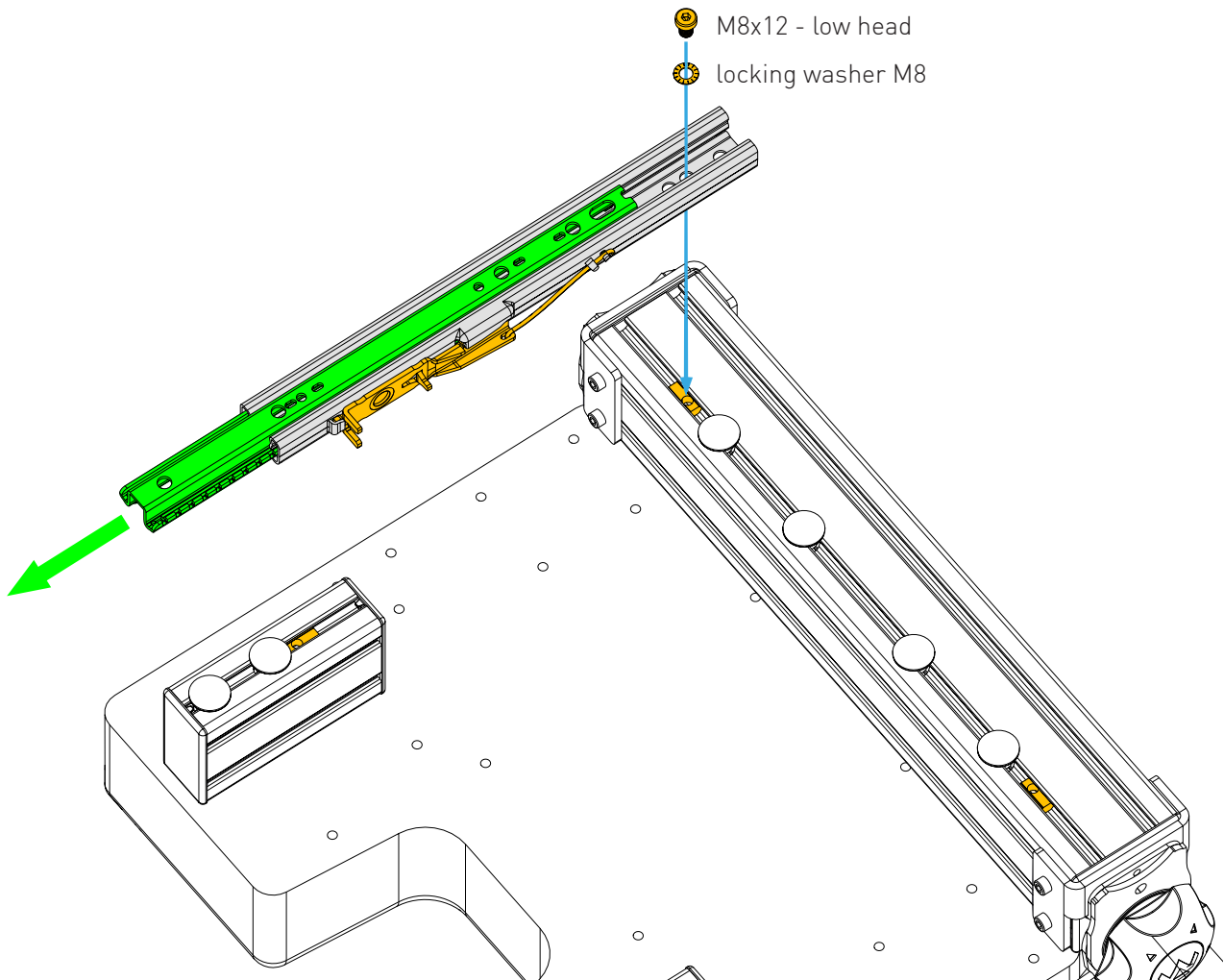


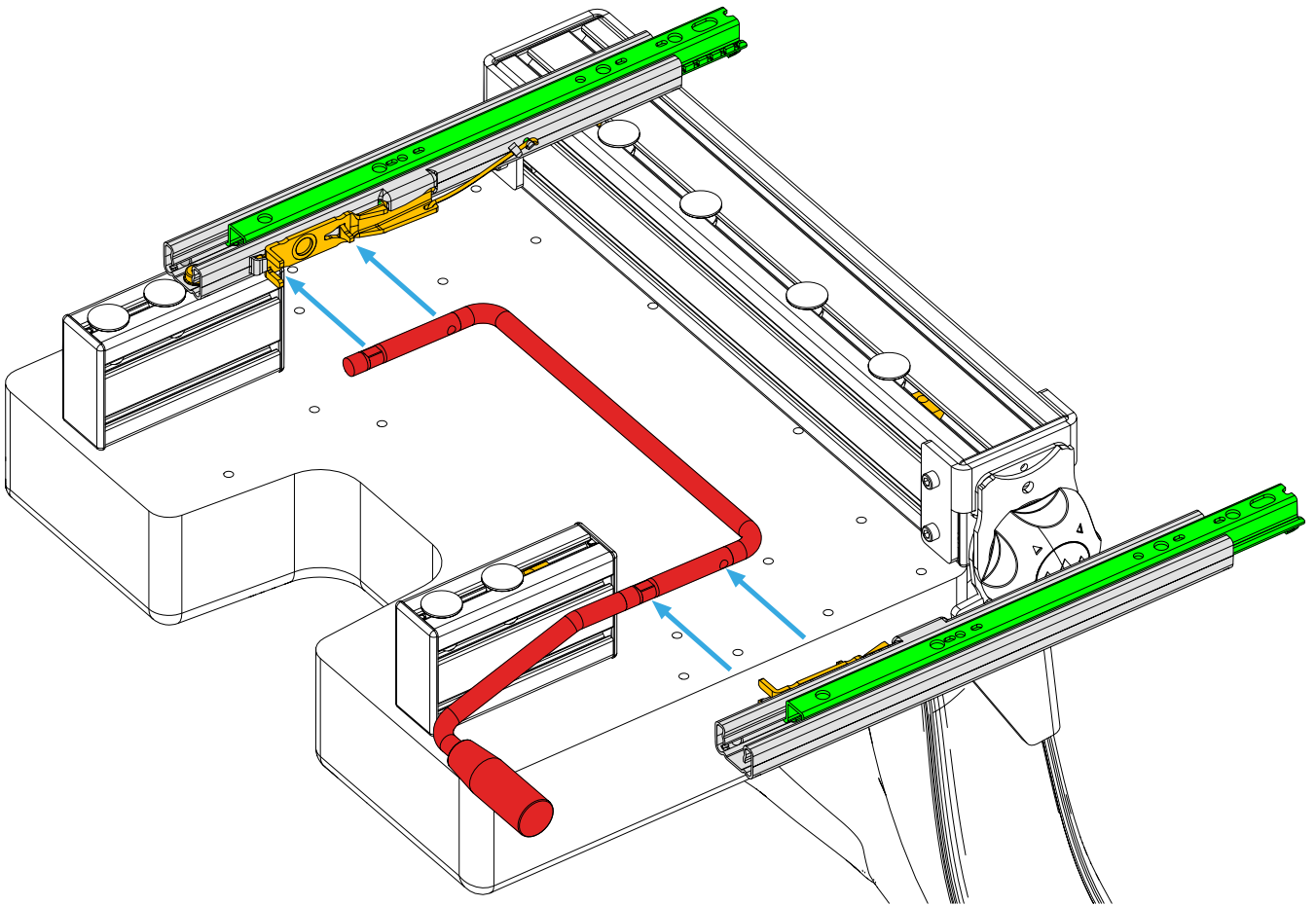
optional  
arm-rests



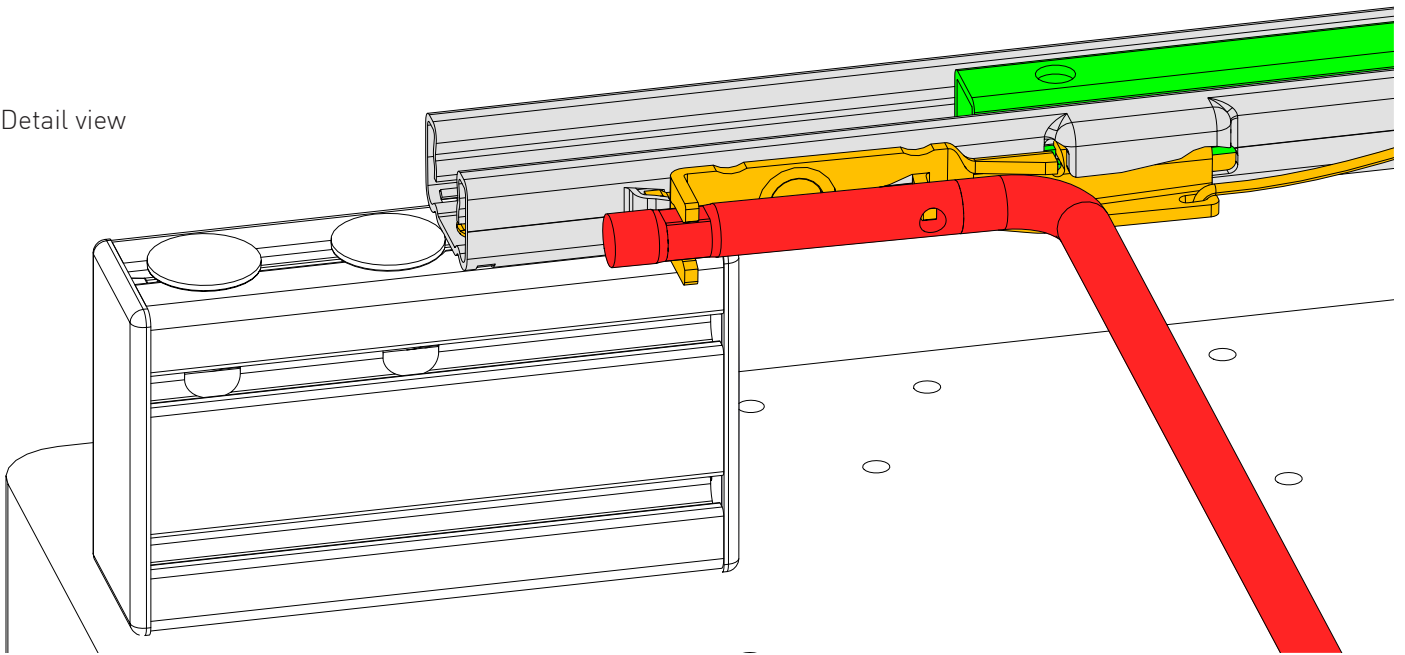


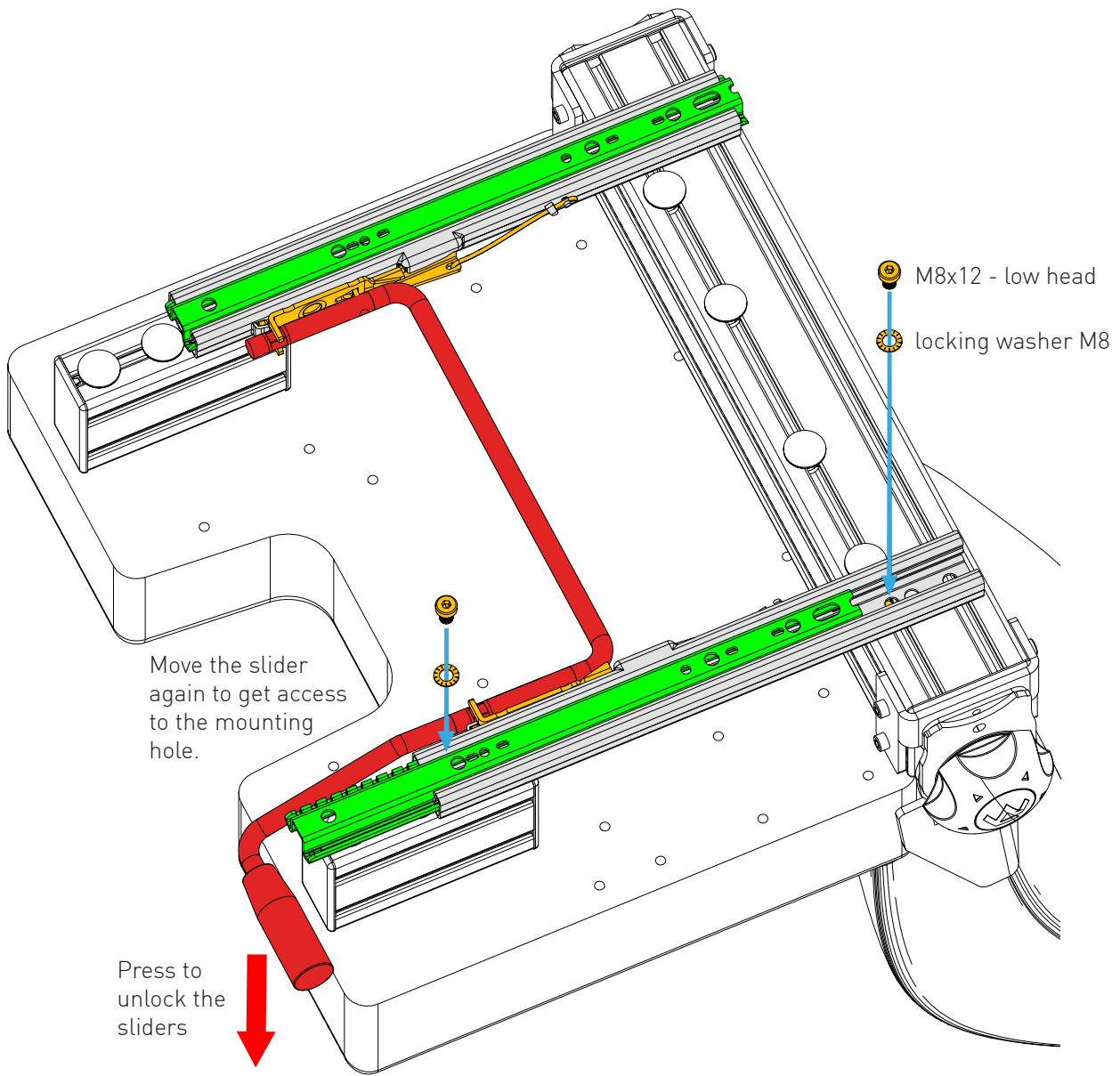




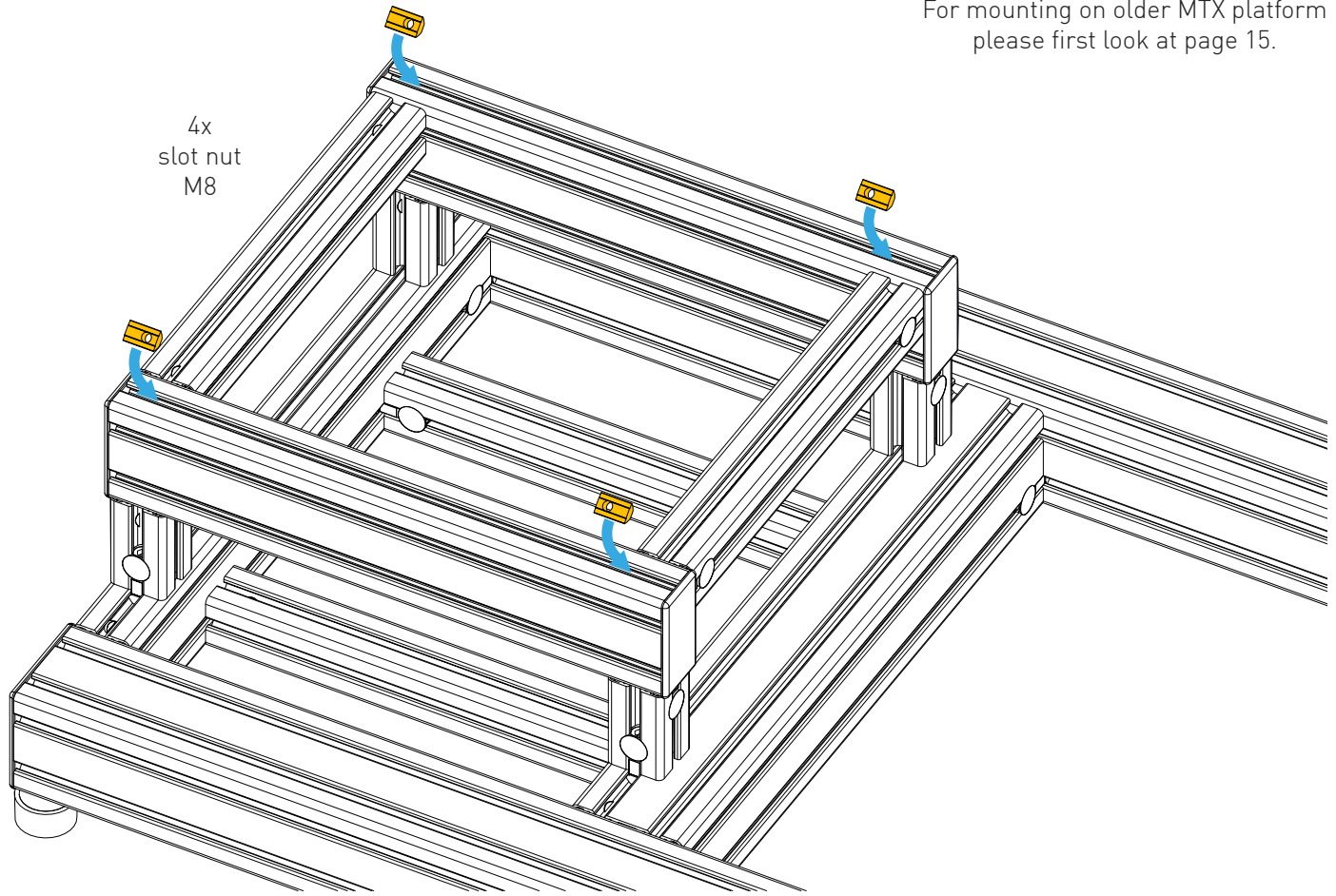


Detail view

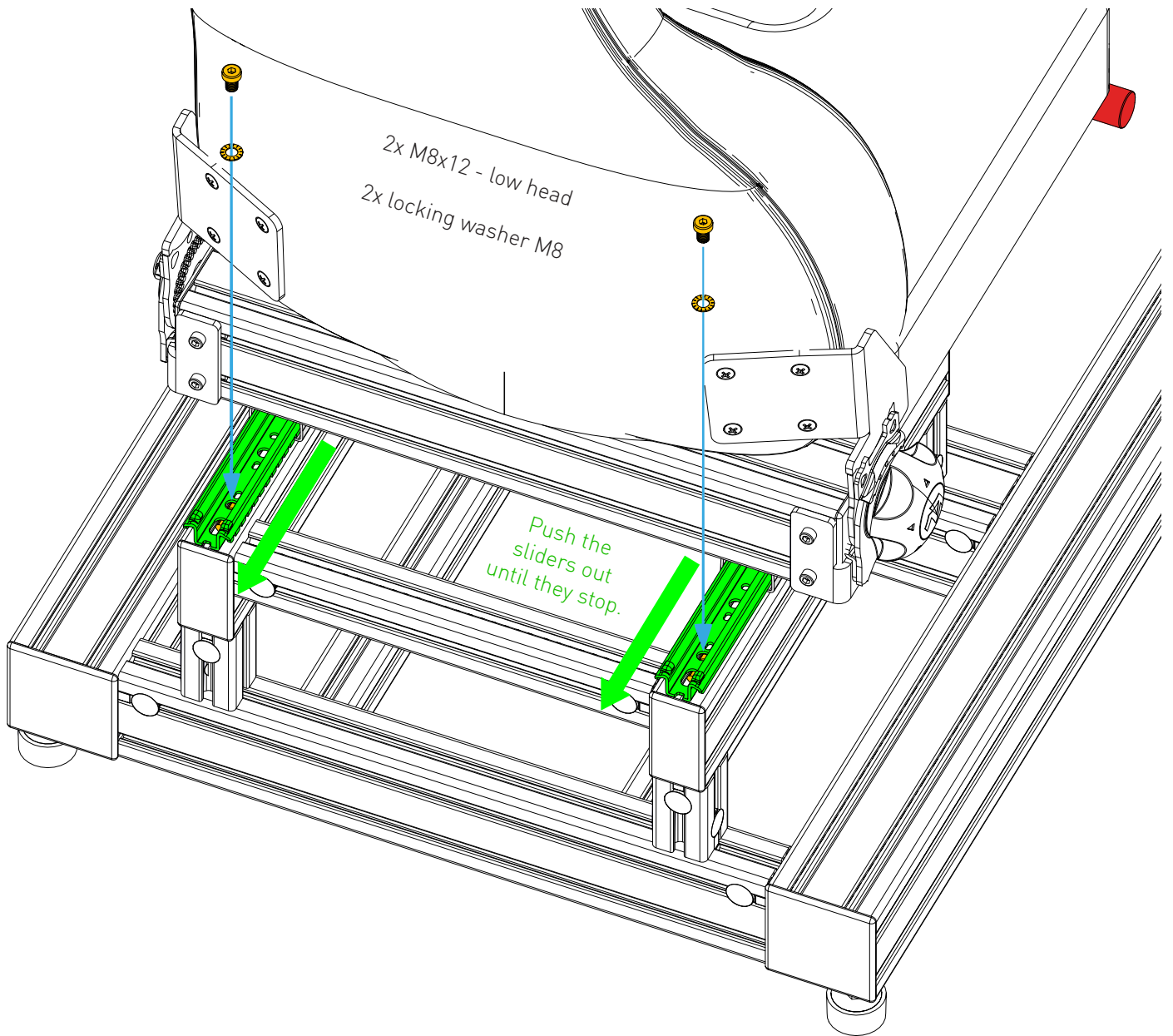


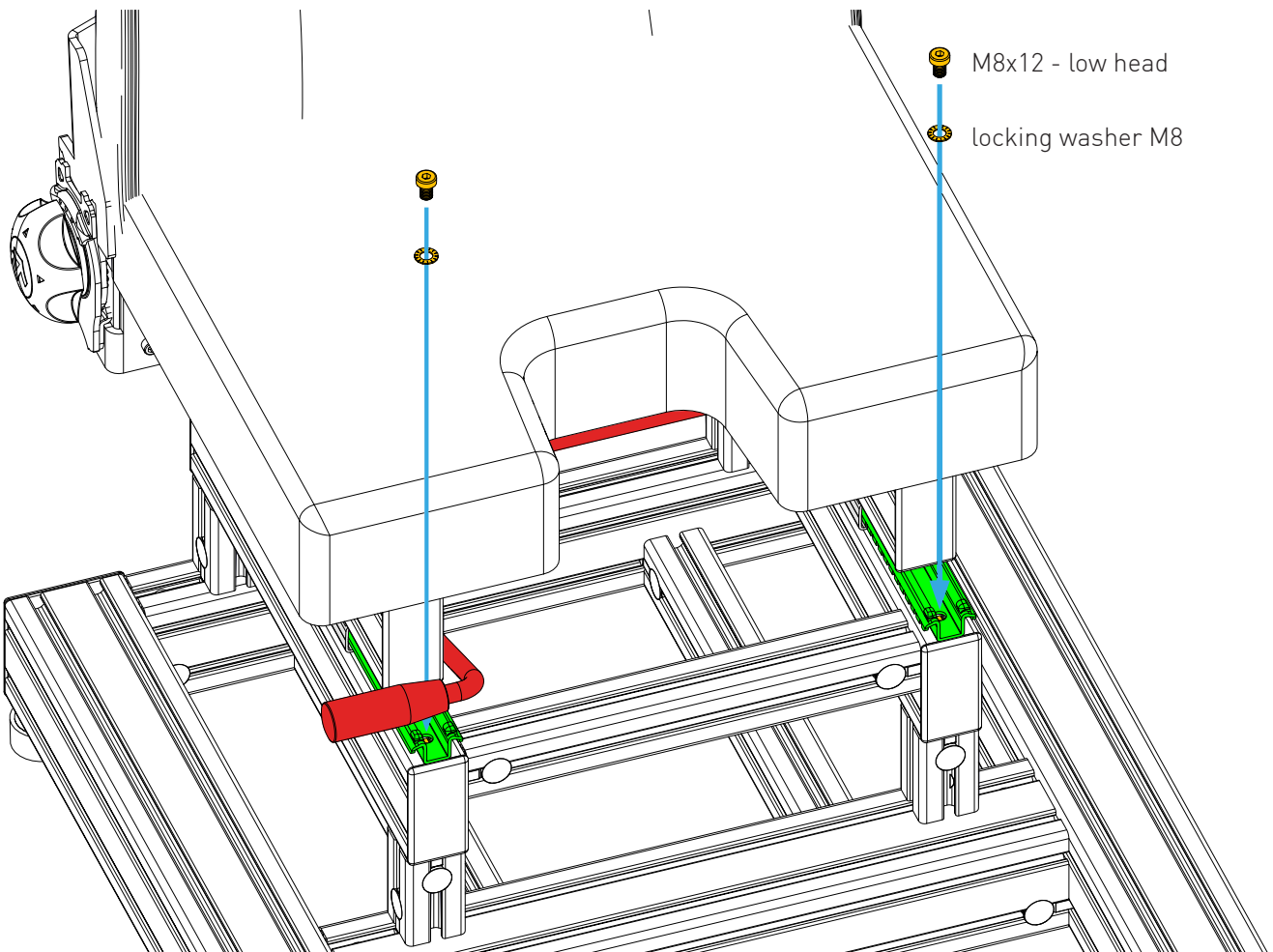
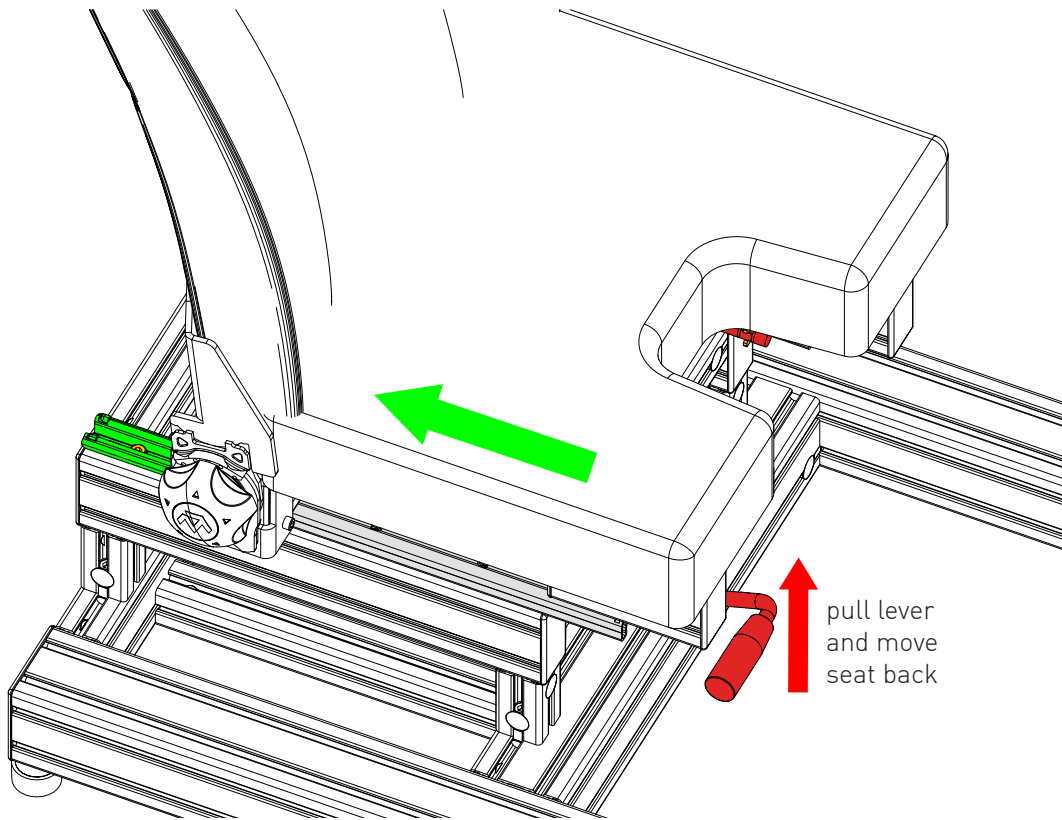


For mounting on older MTX platform  
please first look at page 15.

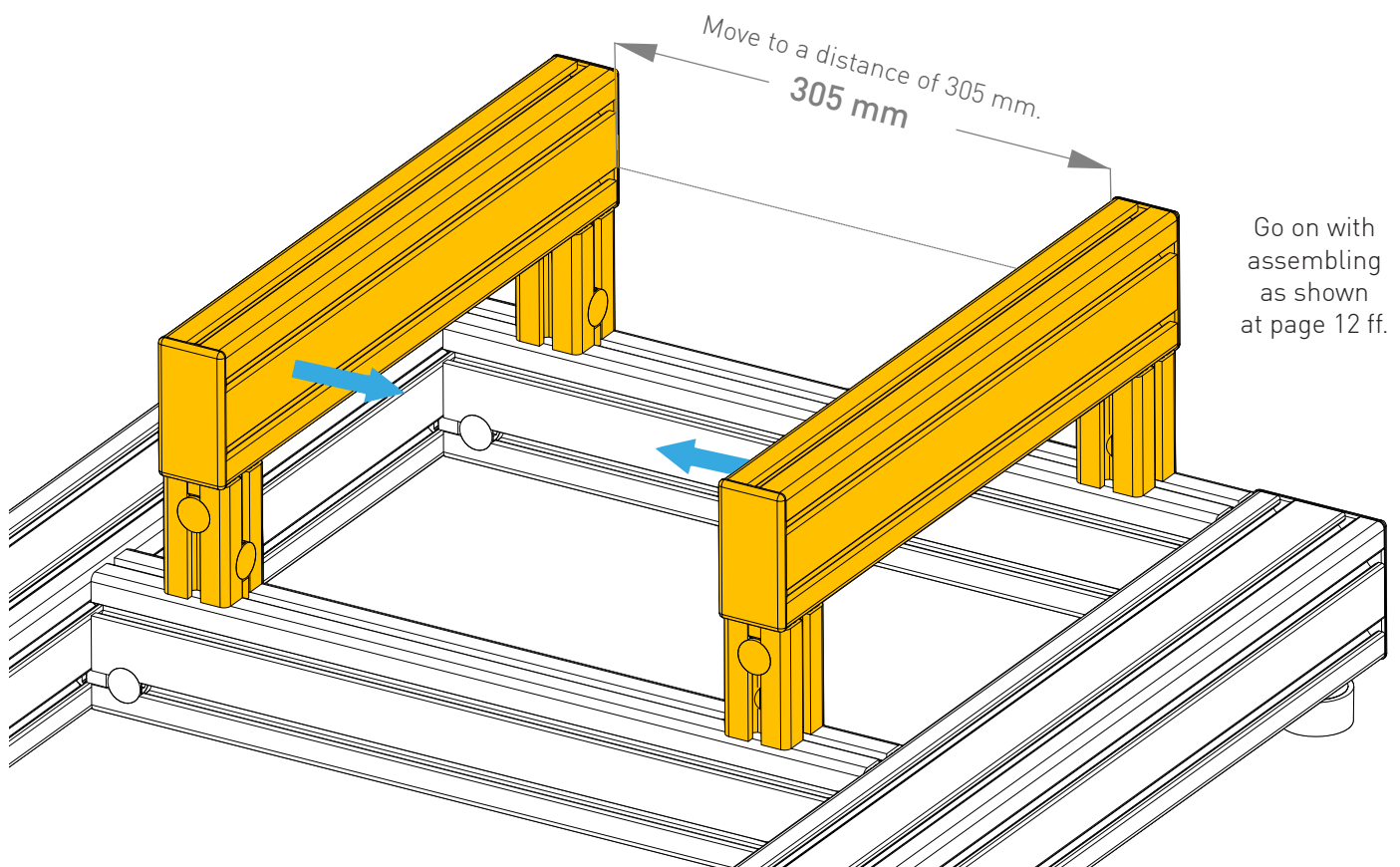
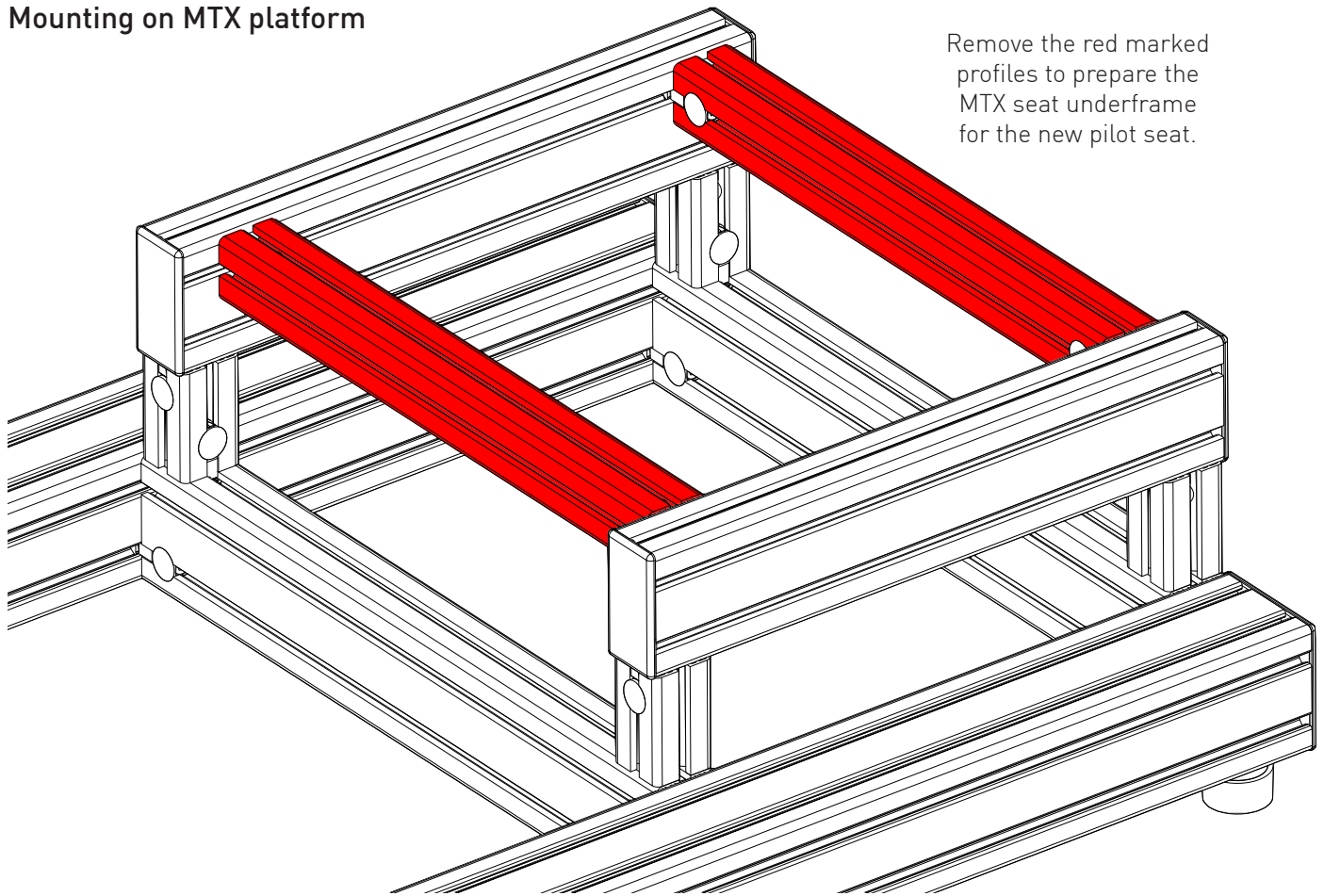


4x  
slot nut  
M8





## Mounting on MTX platform



# ASSEMBLY OF THE OPTIONAL JOYSTICK CUTOUT DELETE INSERT

