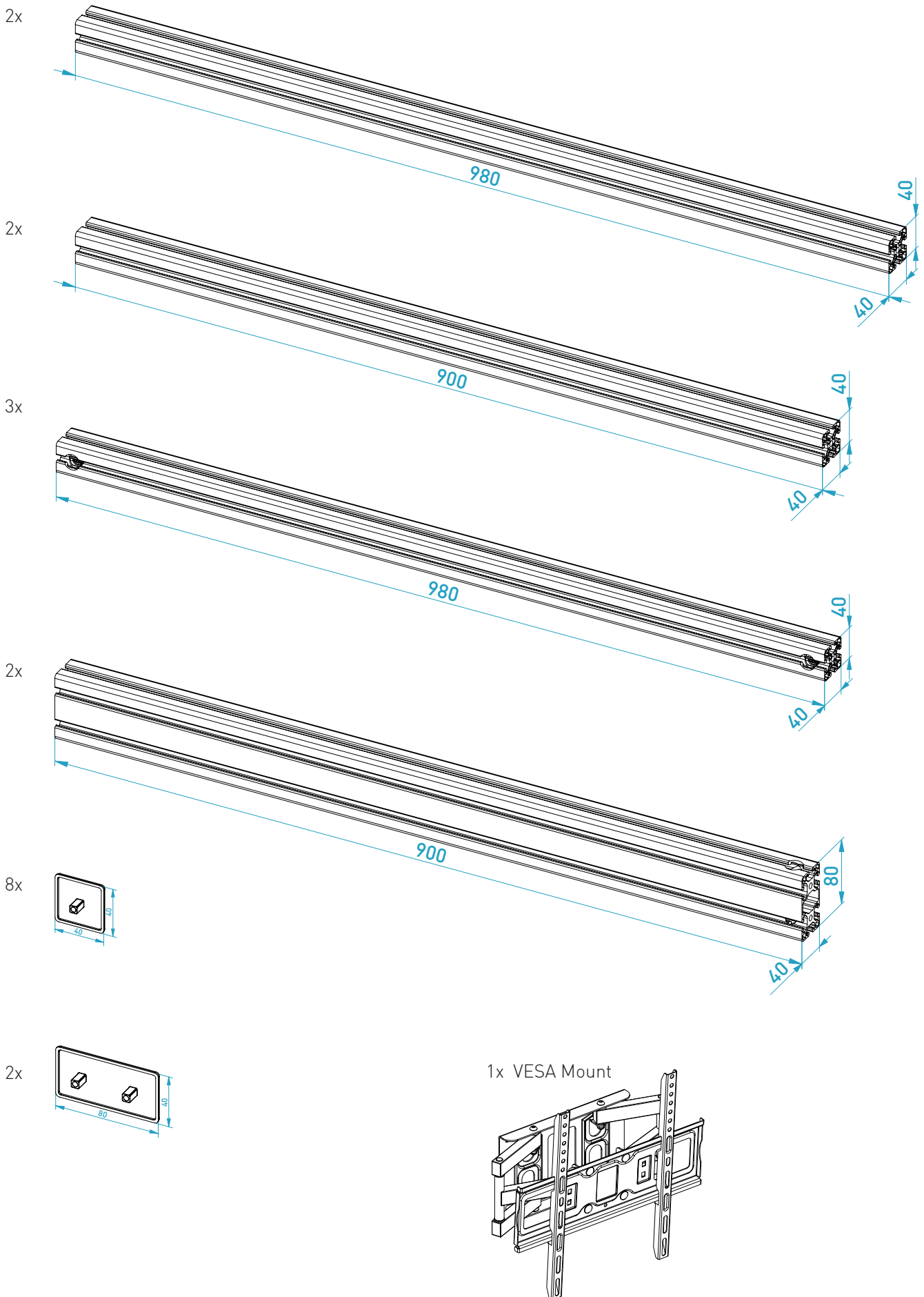


TV/MONITOR STAND

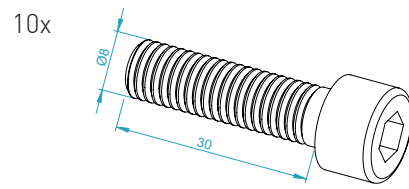
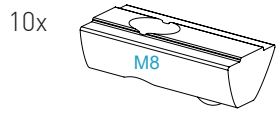
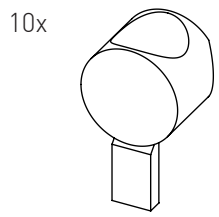
Instruction Manual
Bedienungsanleitung
Mode d'emploi

PARTS

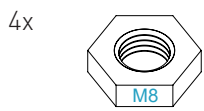
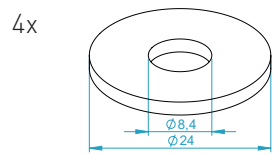
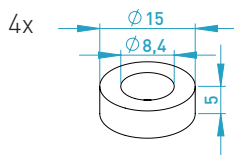
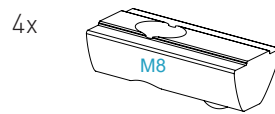
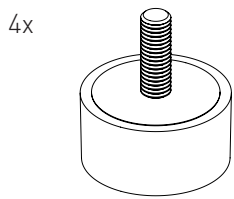
[dimensions in mm / different scales]
No extra or spare parts listed!



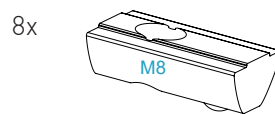
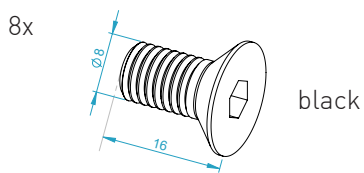
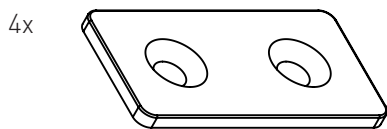
BAG 1



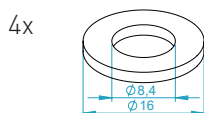
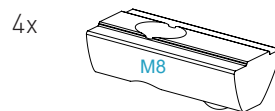
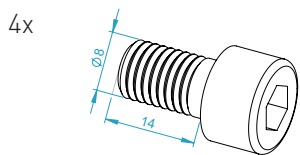
BAG 2



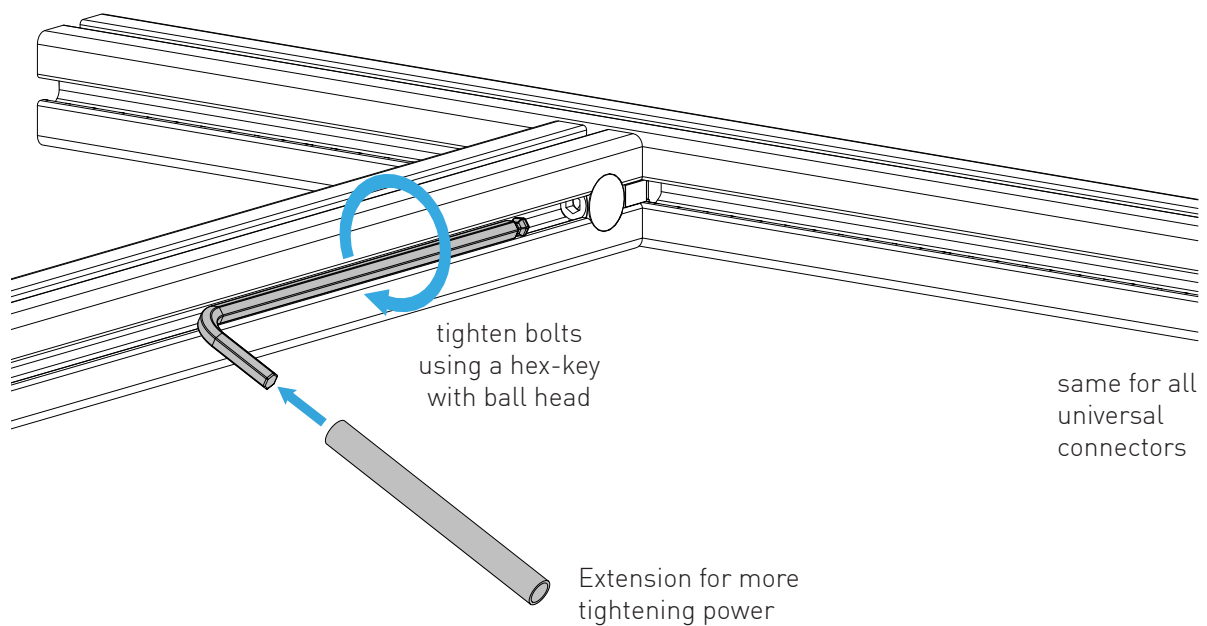
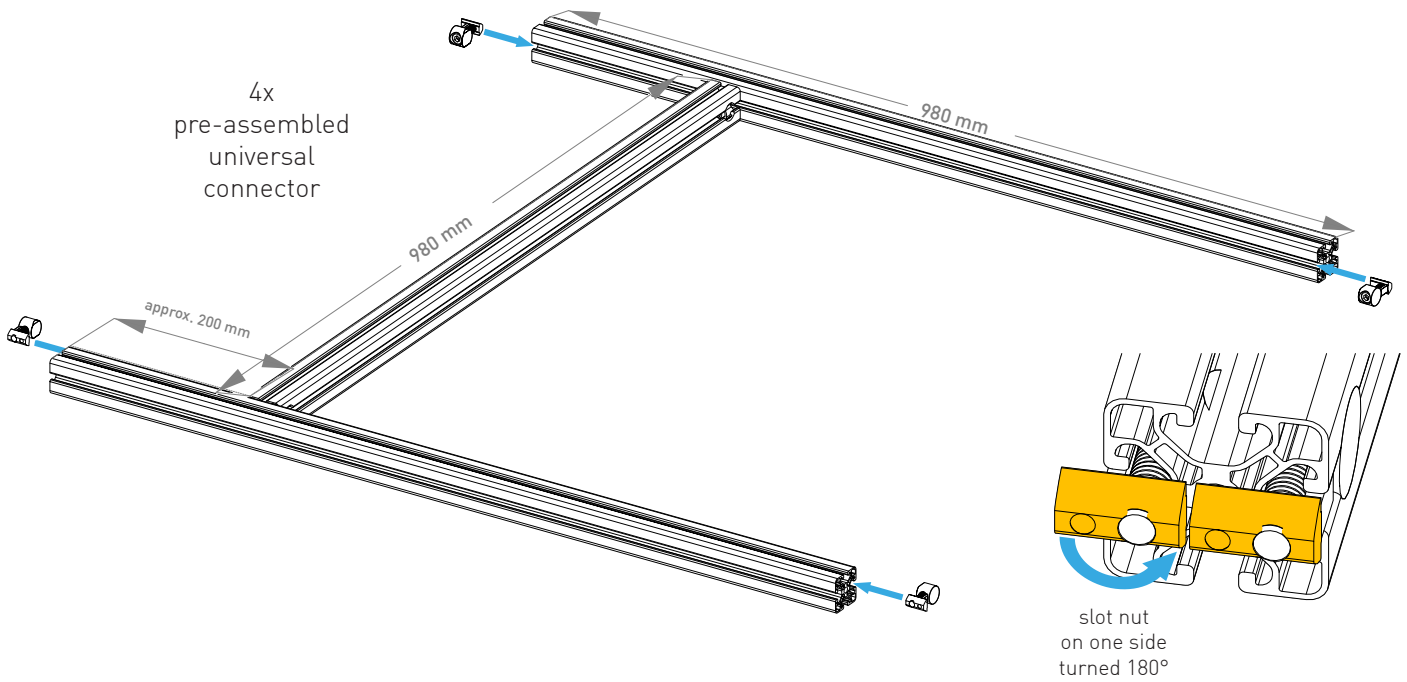
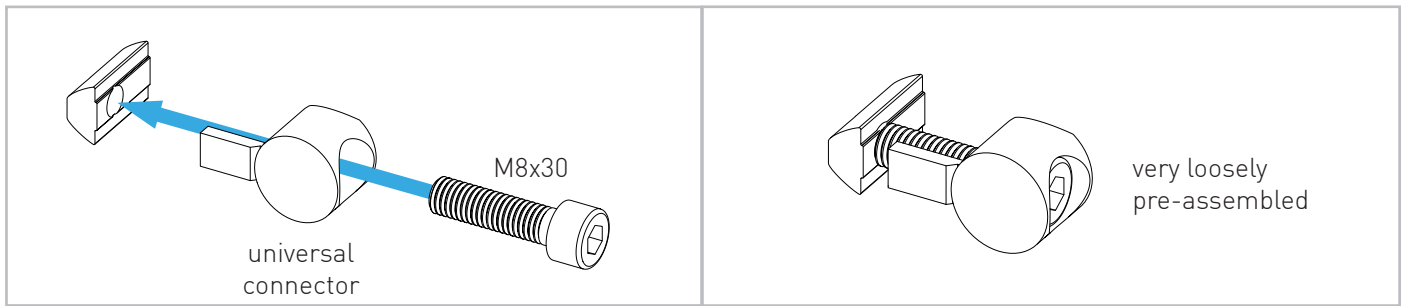
BAG 3



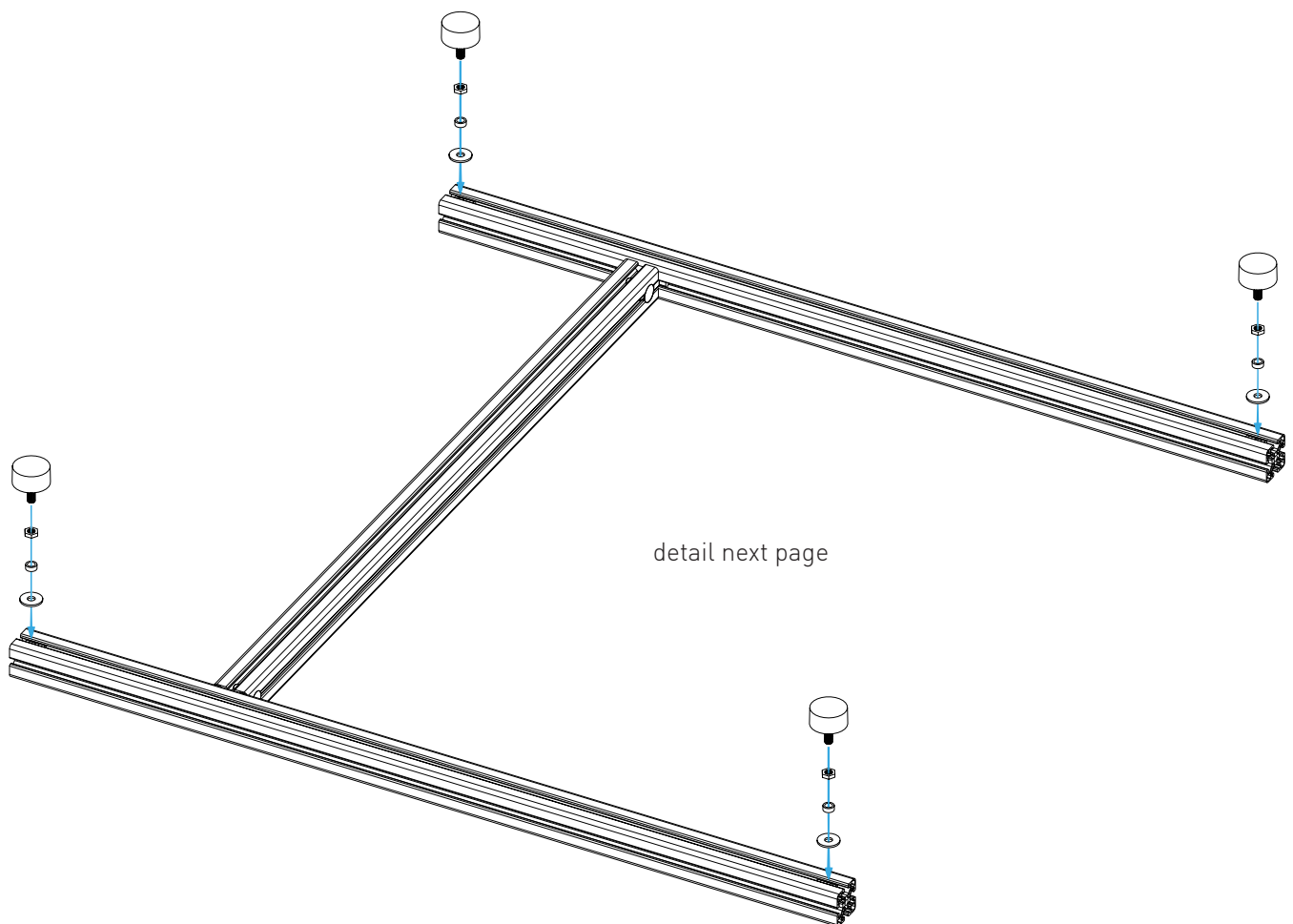
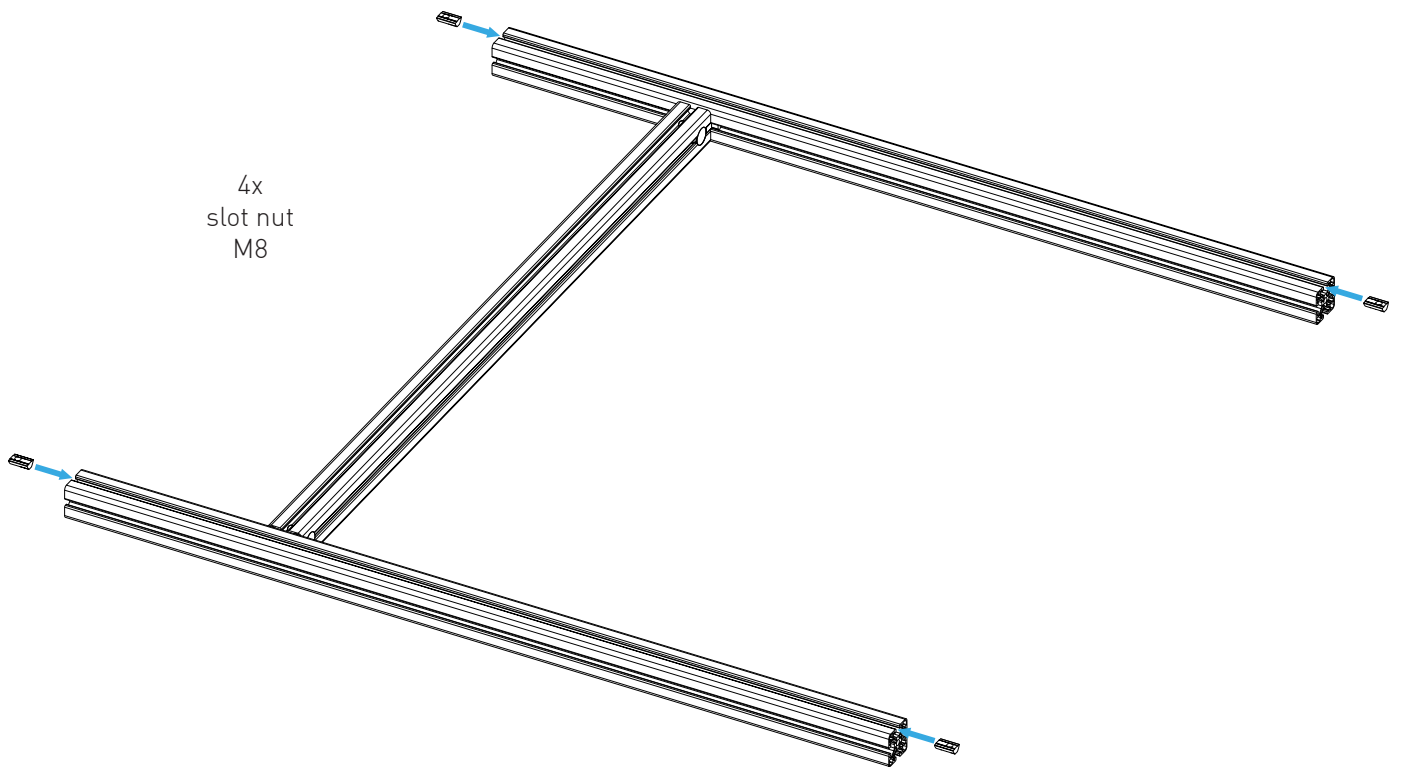
BAG 4



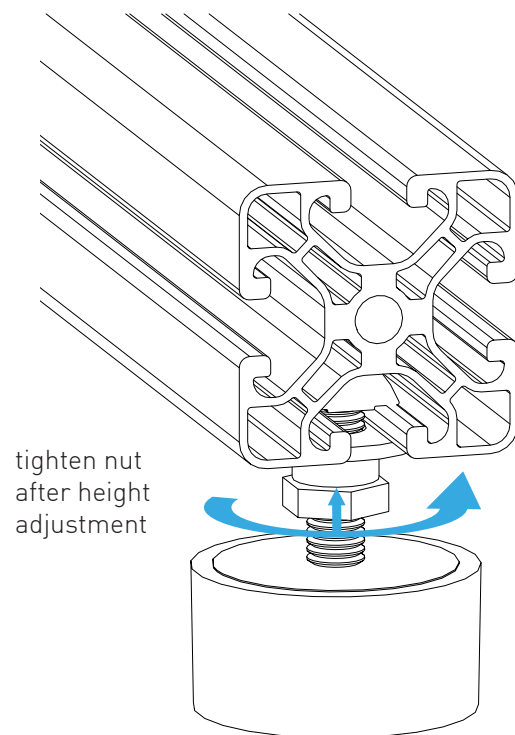
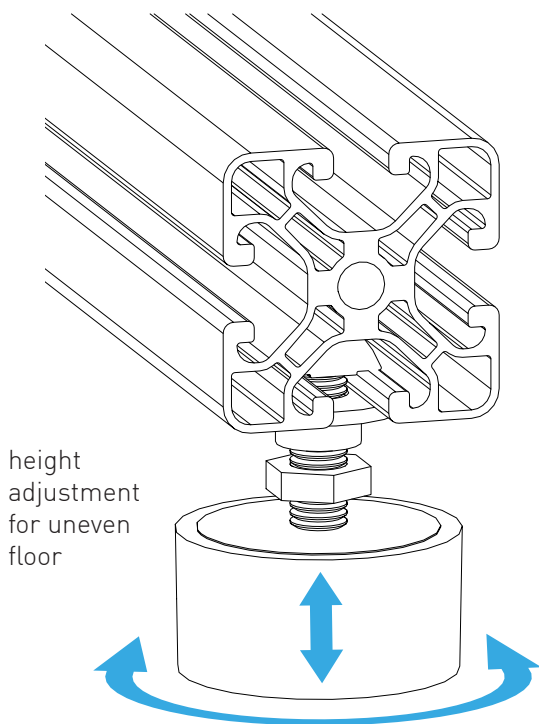
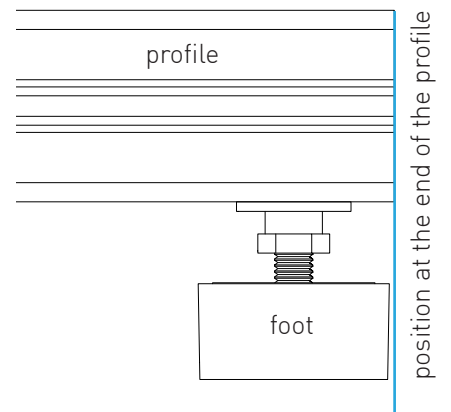
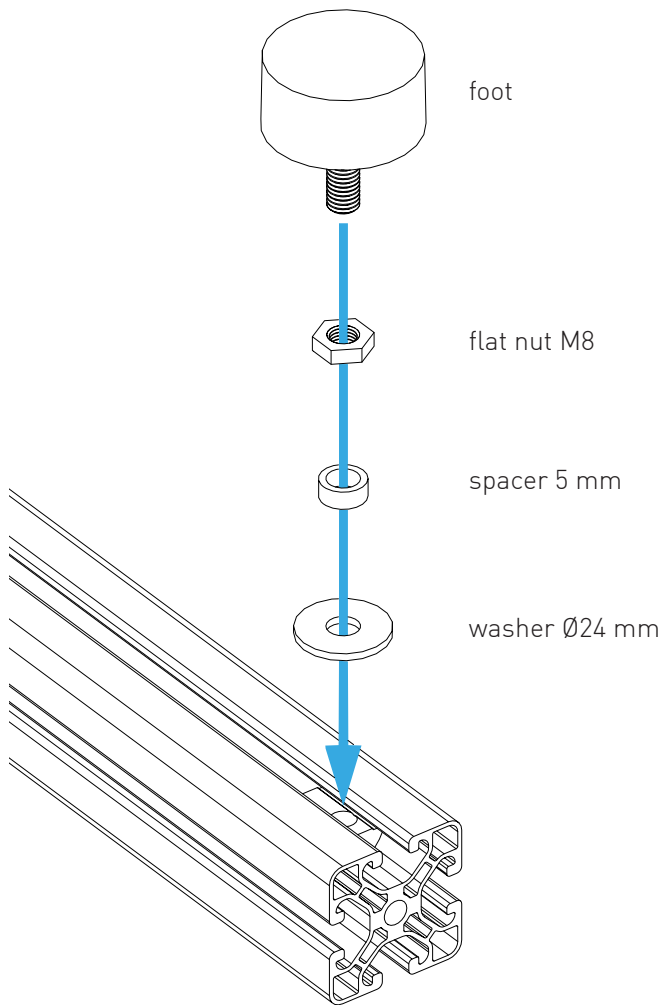
ASSEMBLY

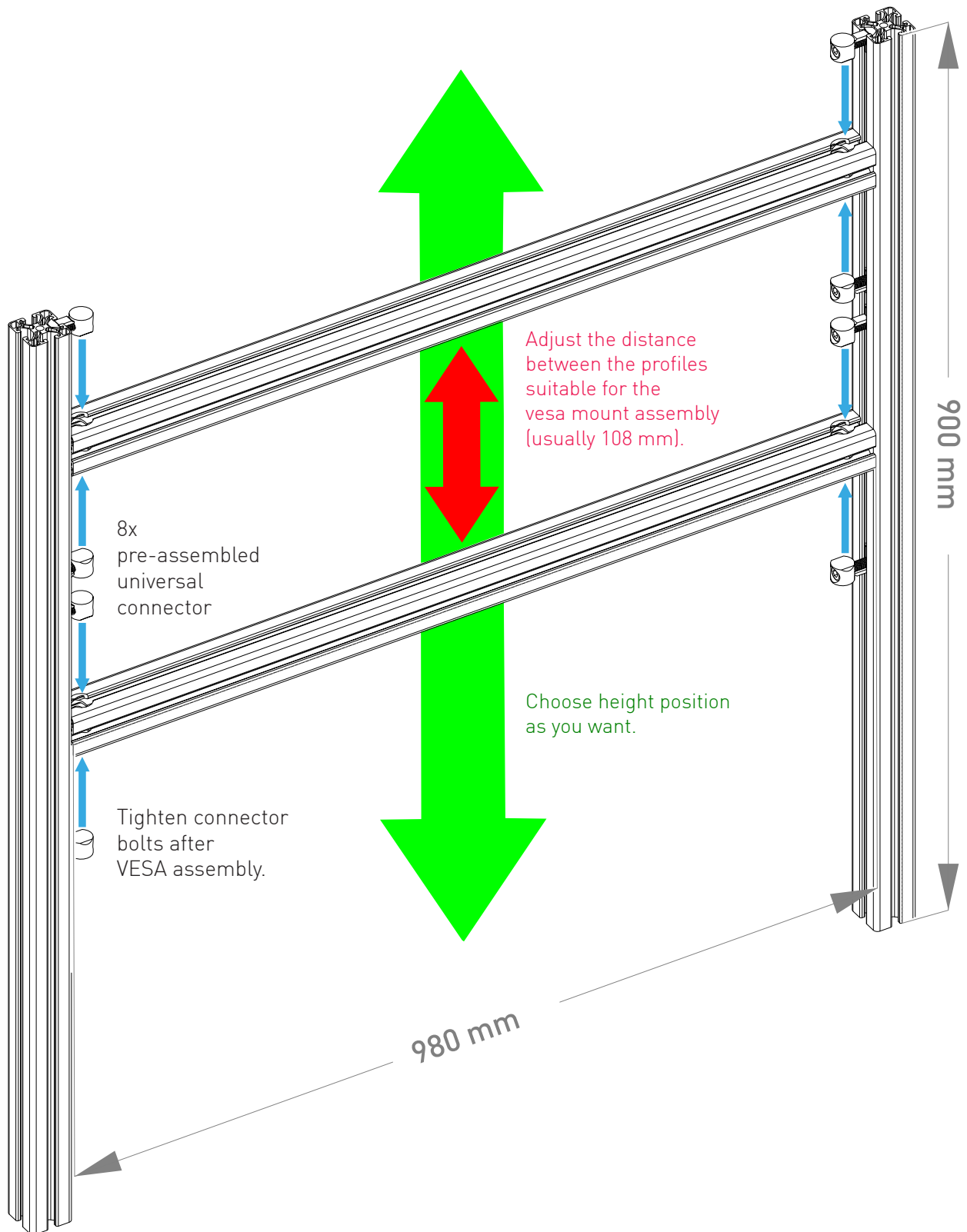


Mounting the feet

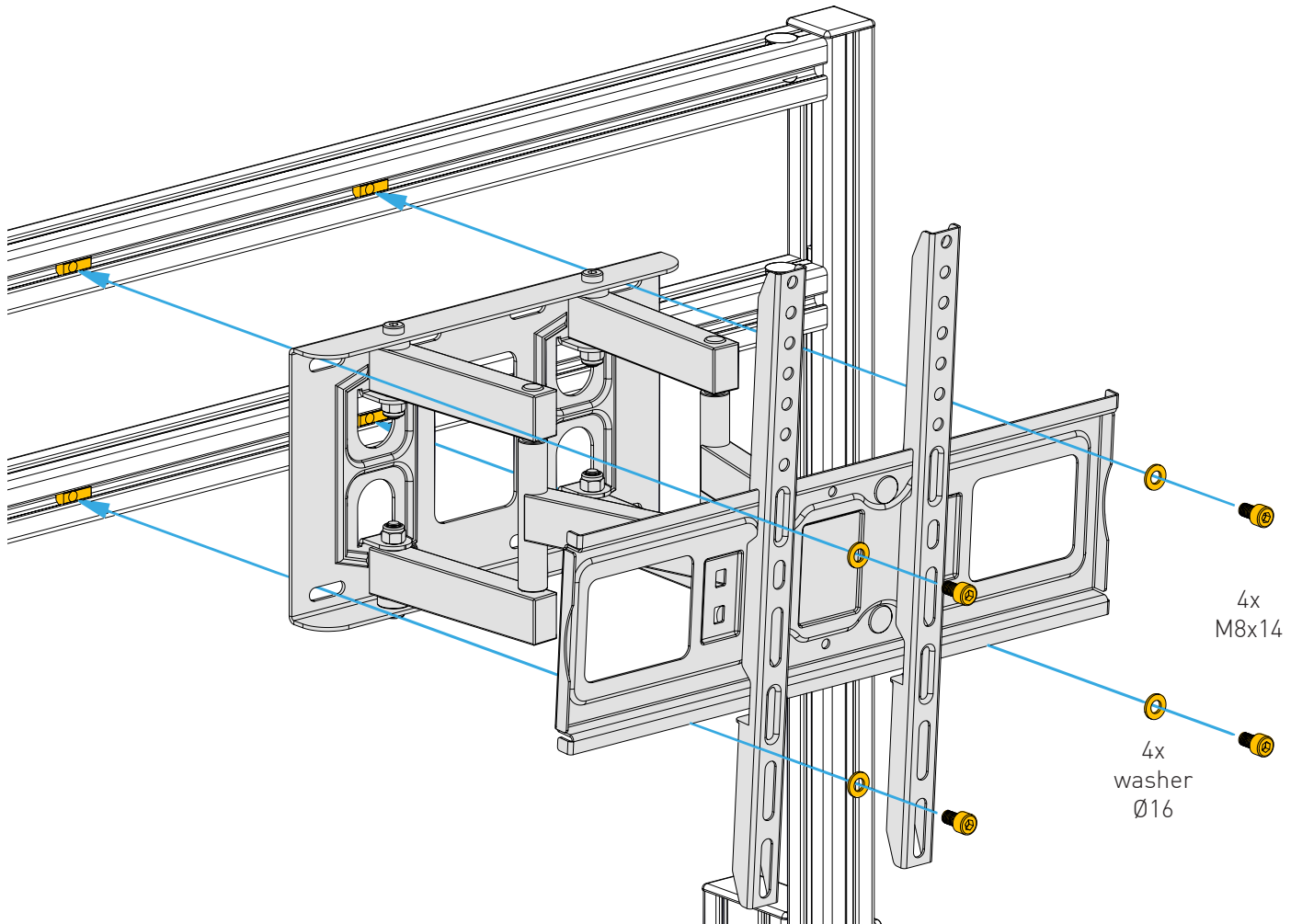
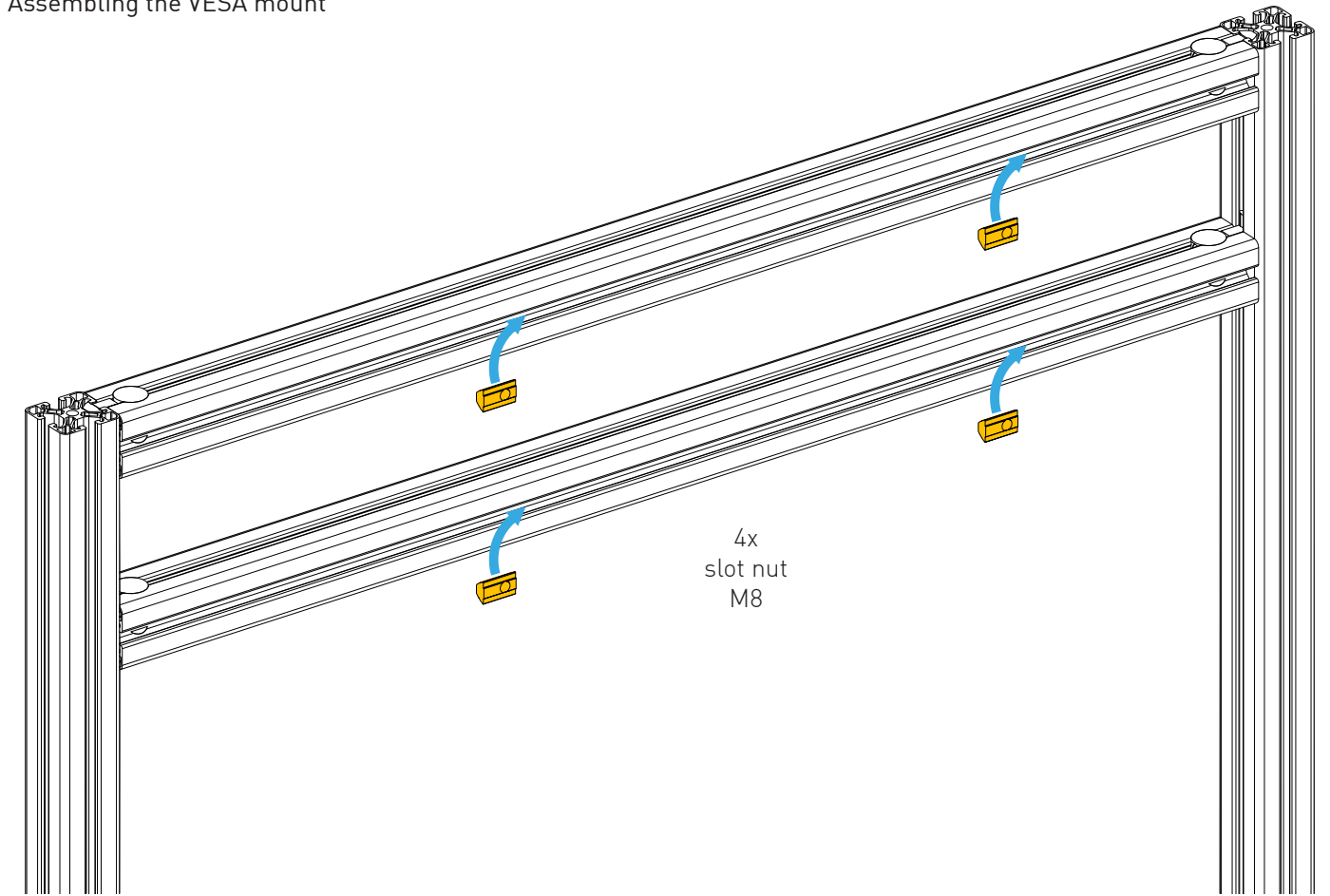


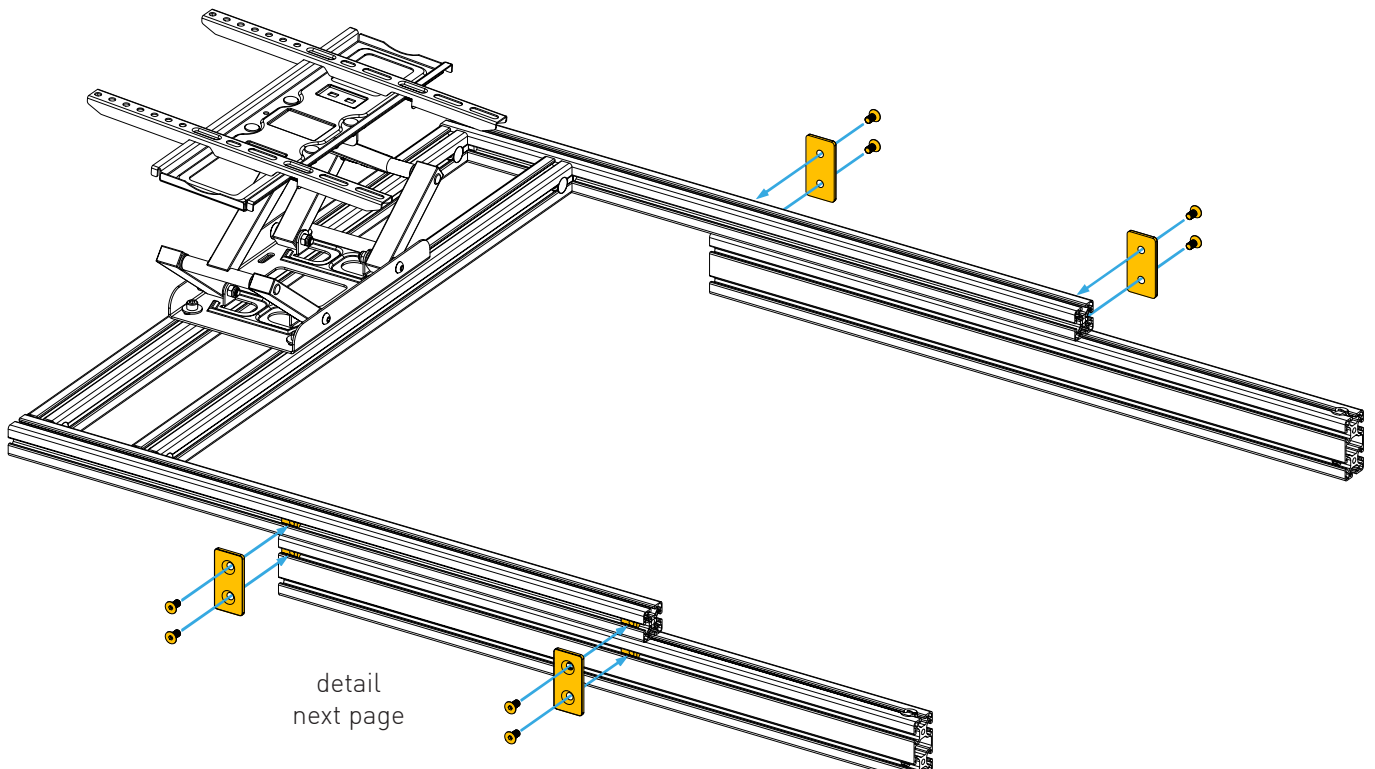
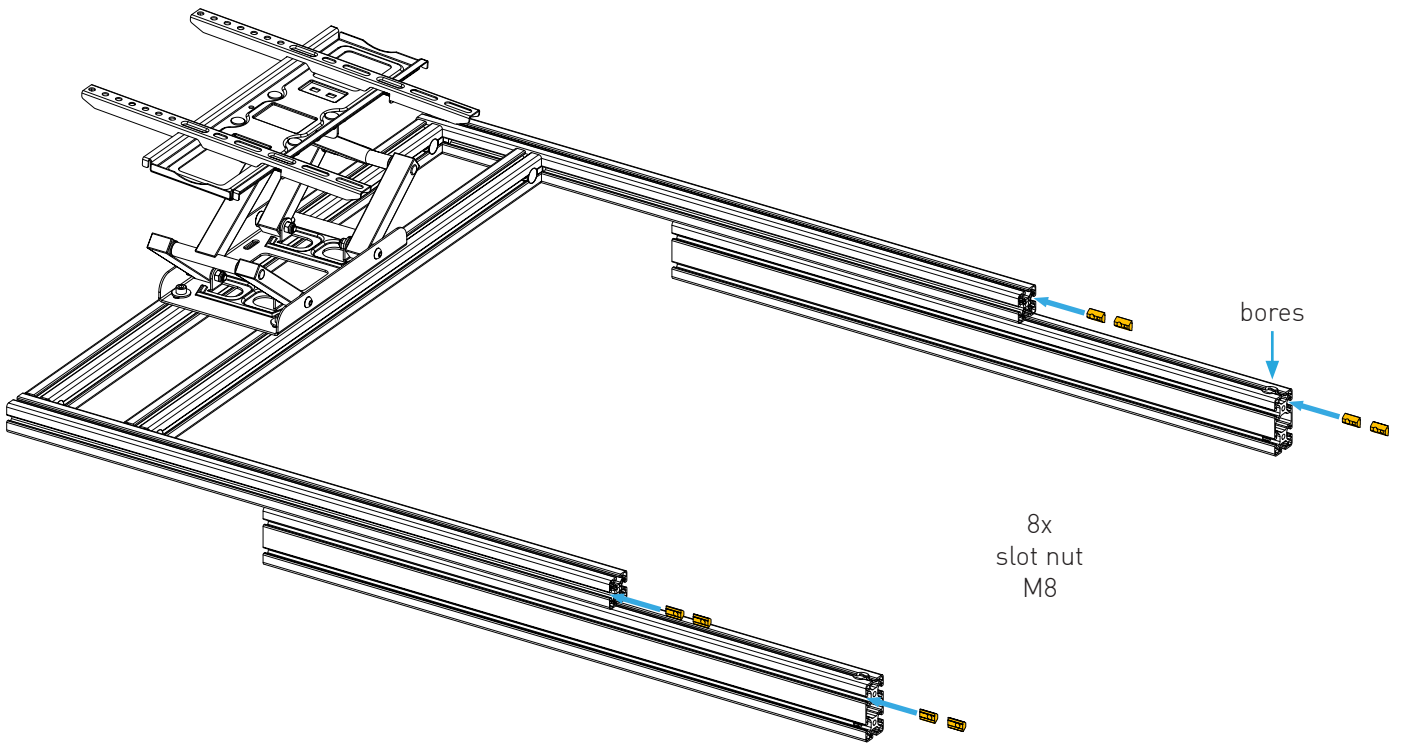
4x



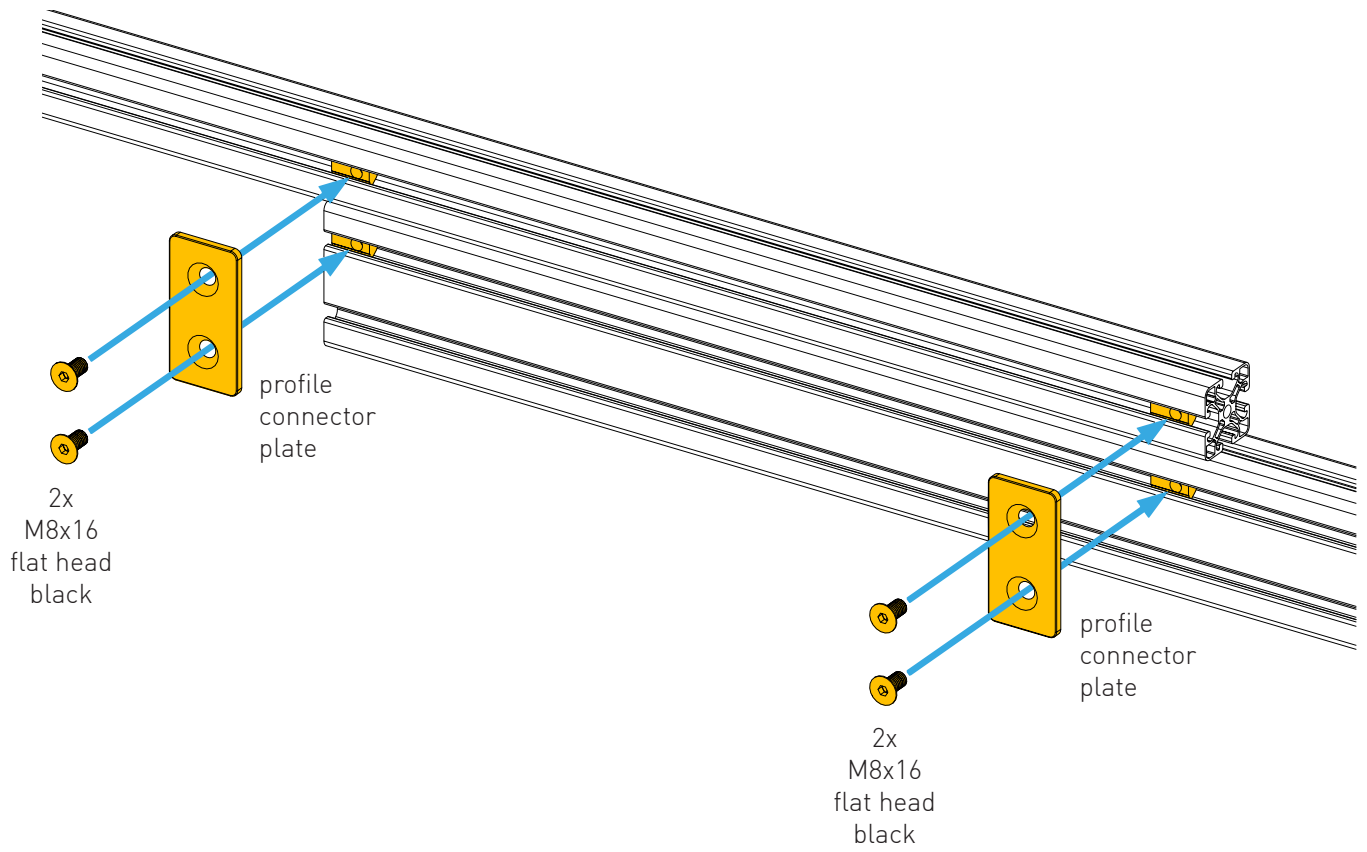


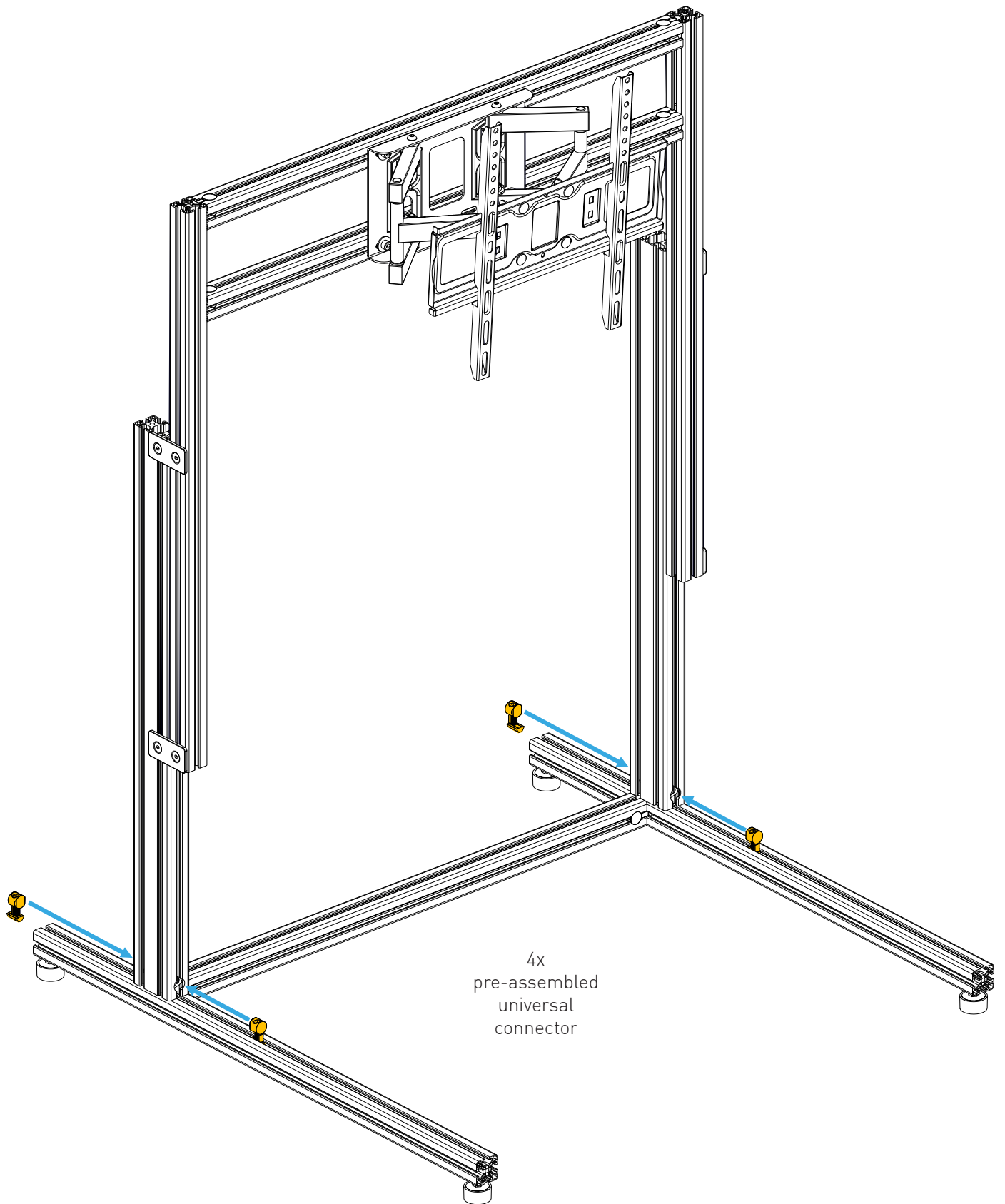
Assembling the VESA mount



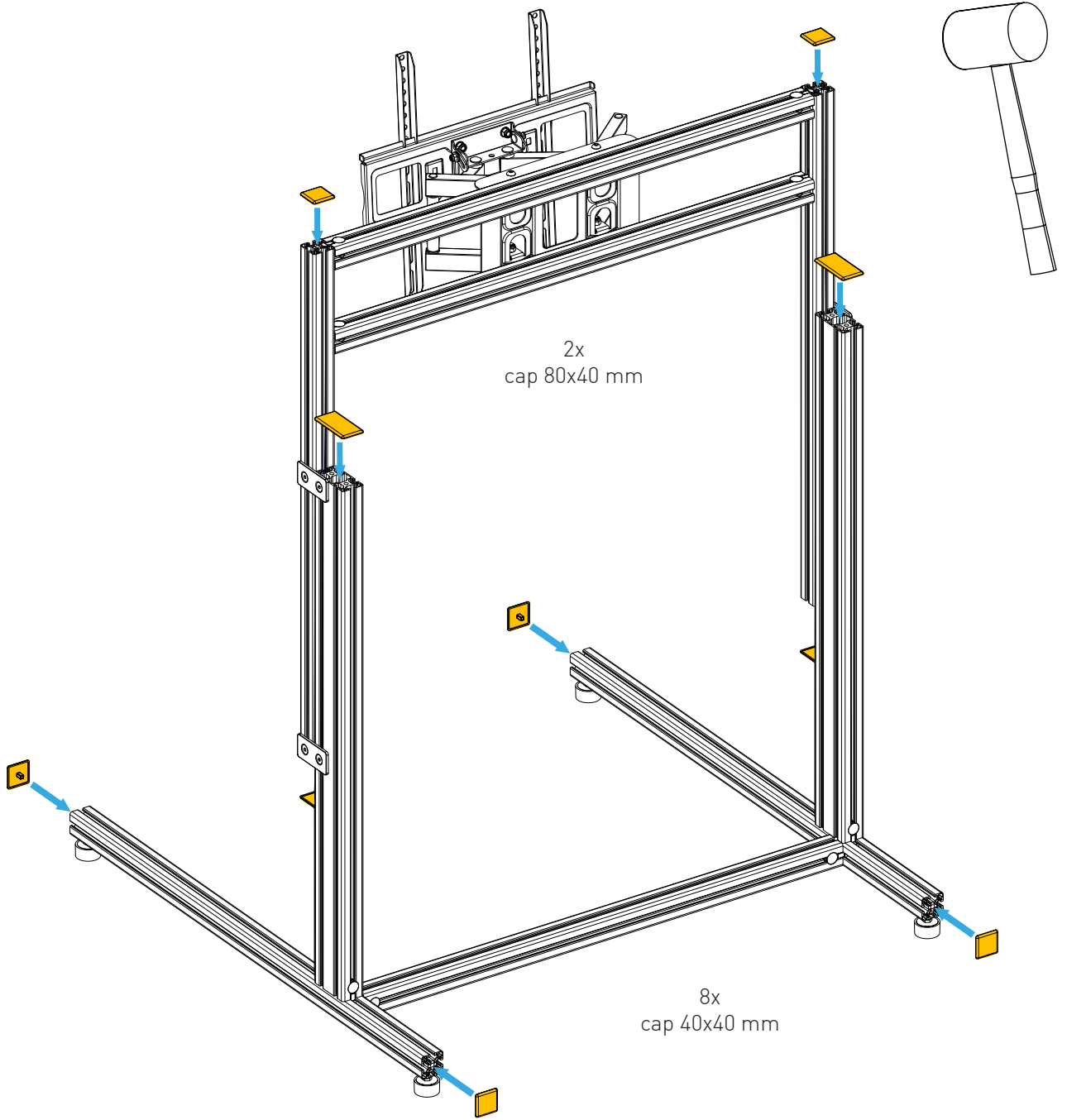


For both sides
of the frame

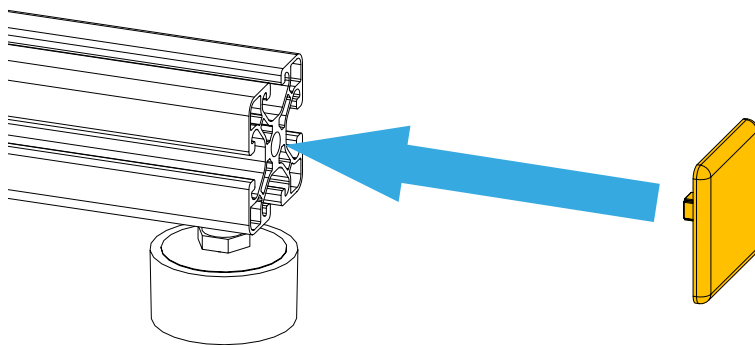




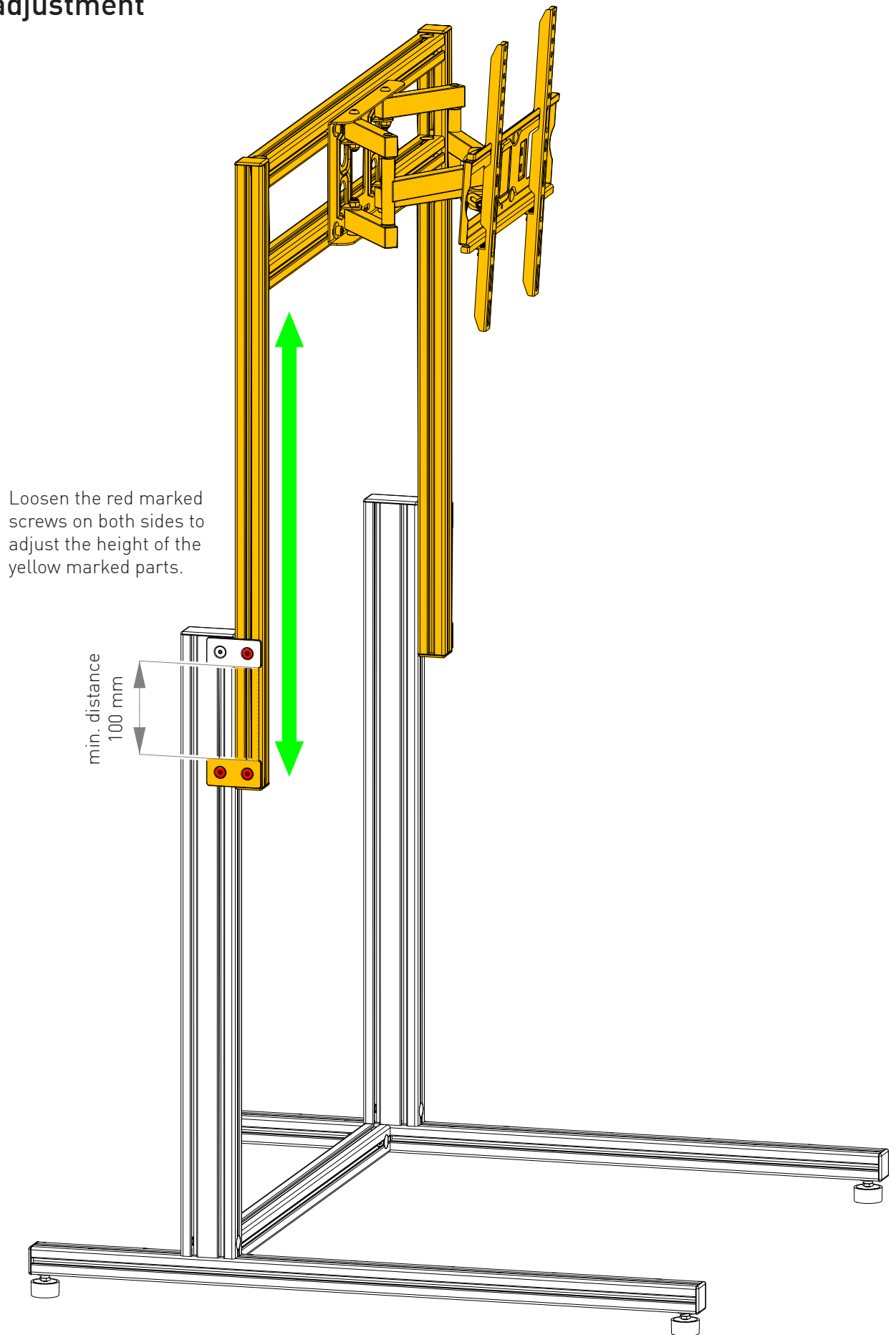
4x
pre-assembled
universal
connector



detail:



Height adjustment



Optional with TV/Monitor Triple Extension

