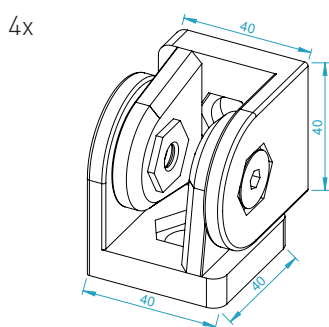
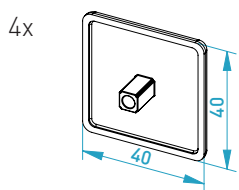
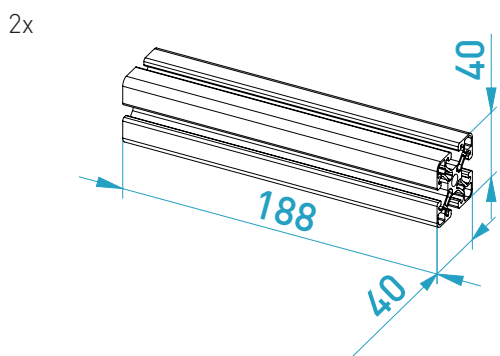
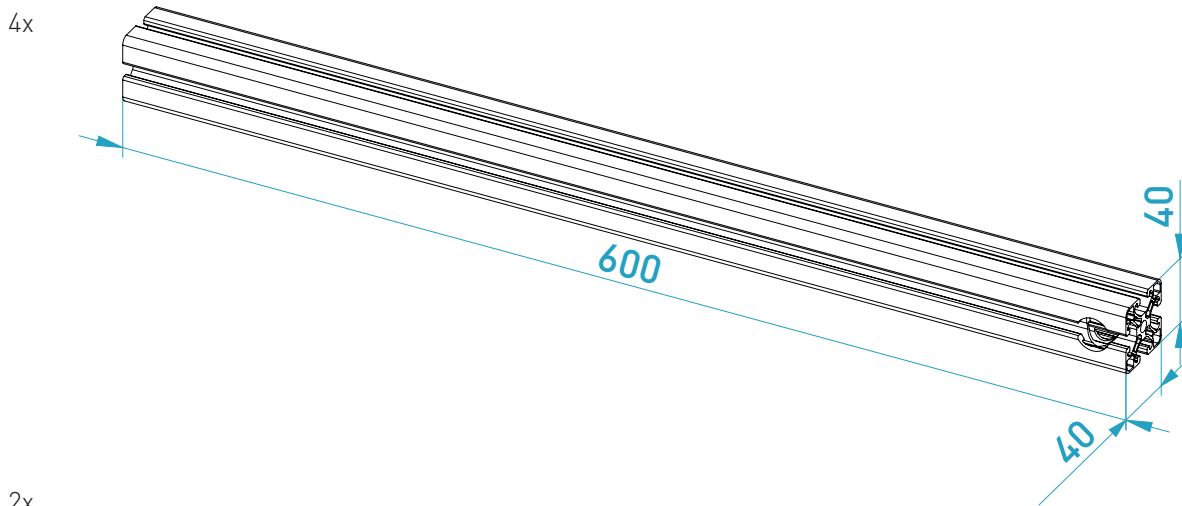


TV/MONITOR TRIPLE EXTENSION

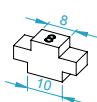
Instruction Manual
Bedienungsanleitung
Mode d'emploi

PARTS

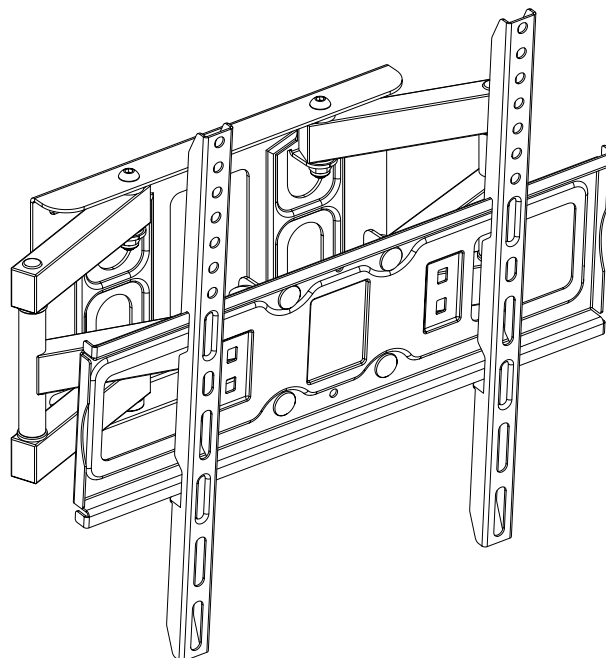
[dimensions in mm / different scales]
No extra or spare parts listed!



4 per joint

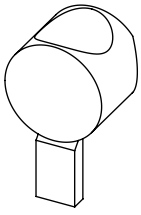


2x

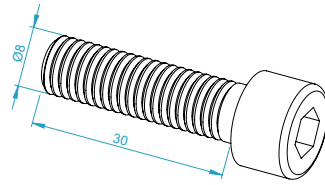


BAG 1

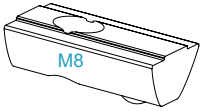
4x



4x

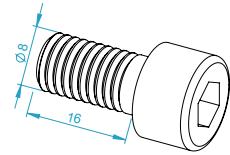


4x

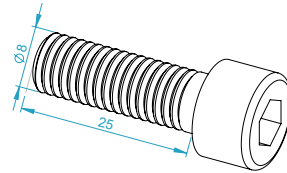


BAG 2

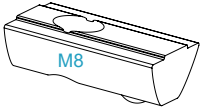
4x



4x

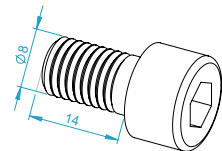


4x

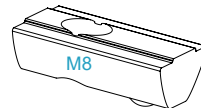


BAG 3

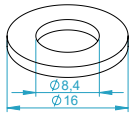
8x



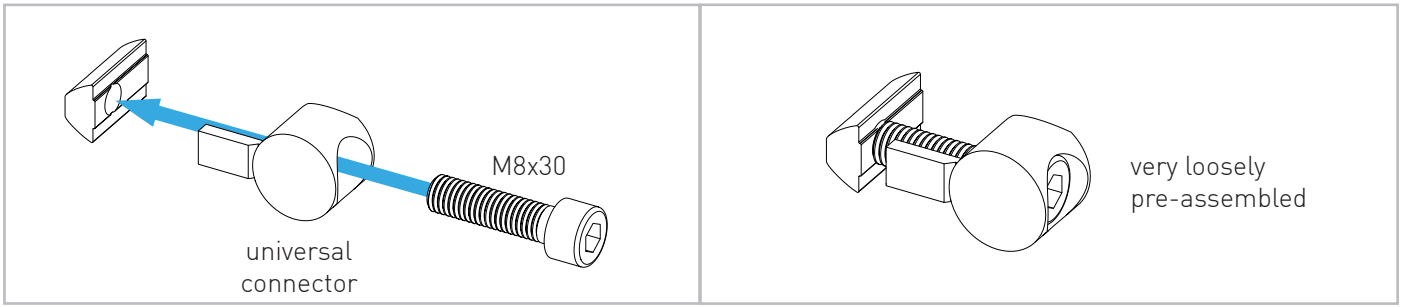
8x



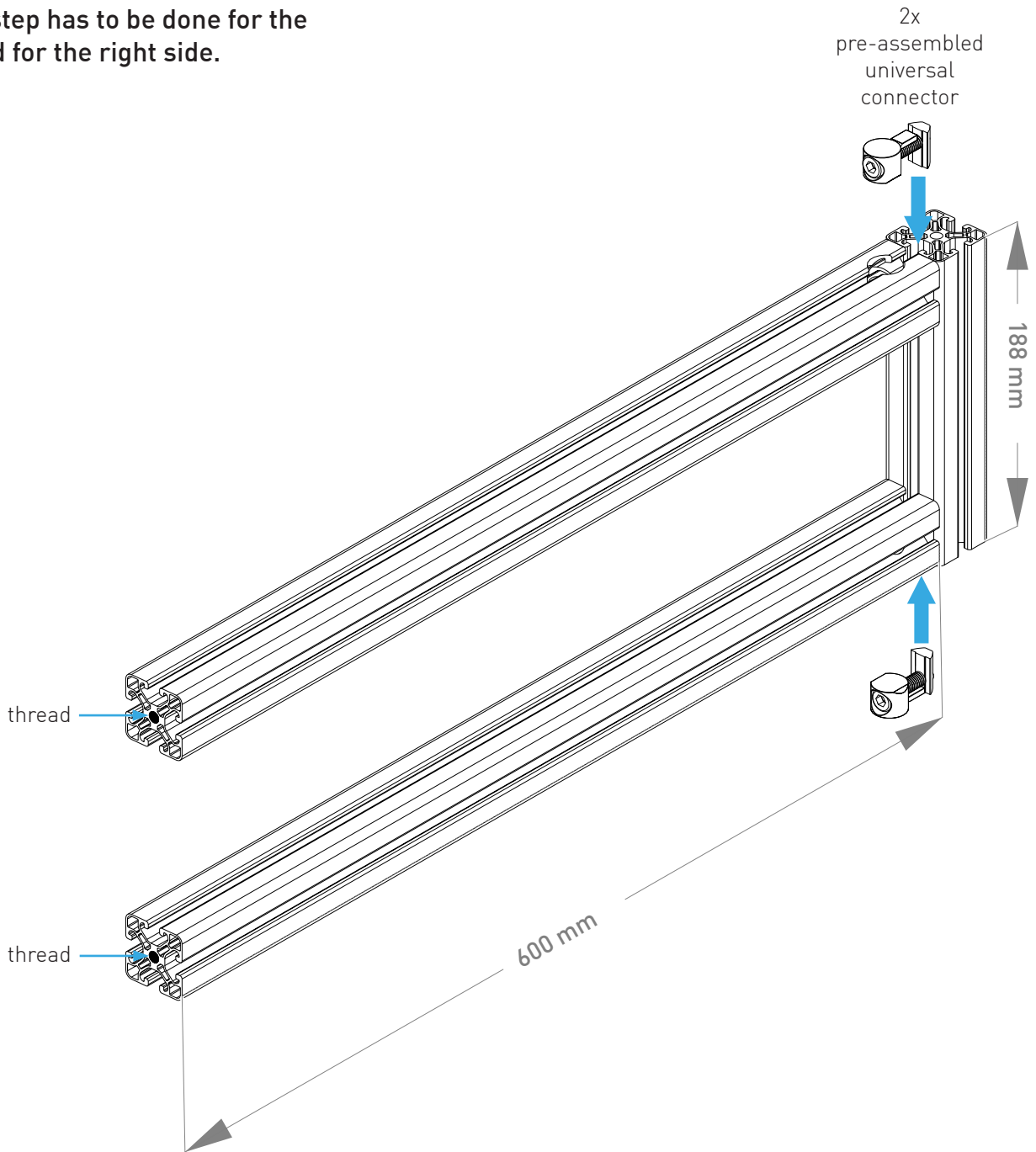
8x

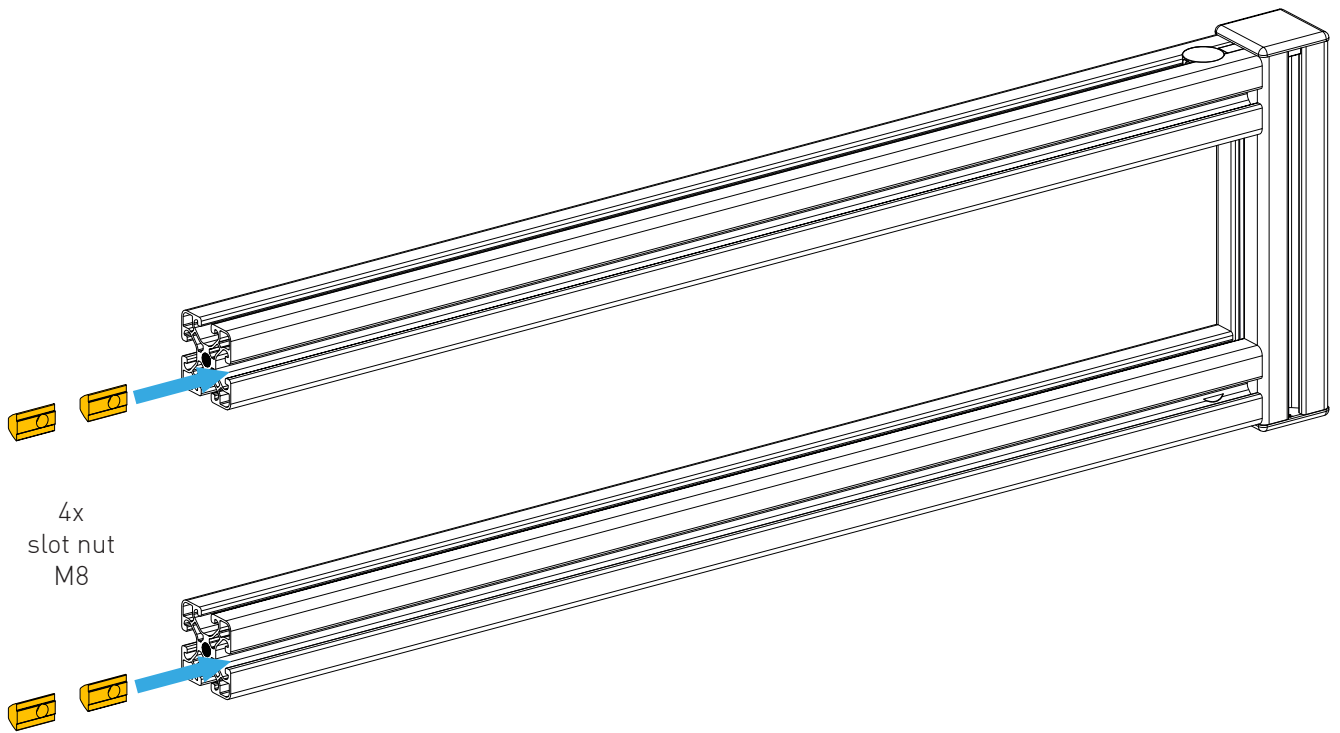
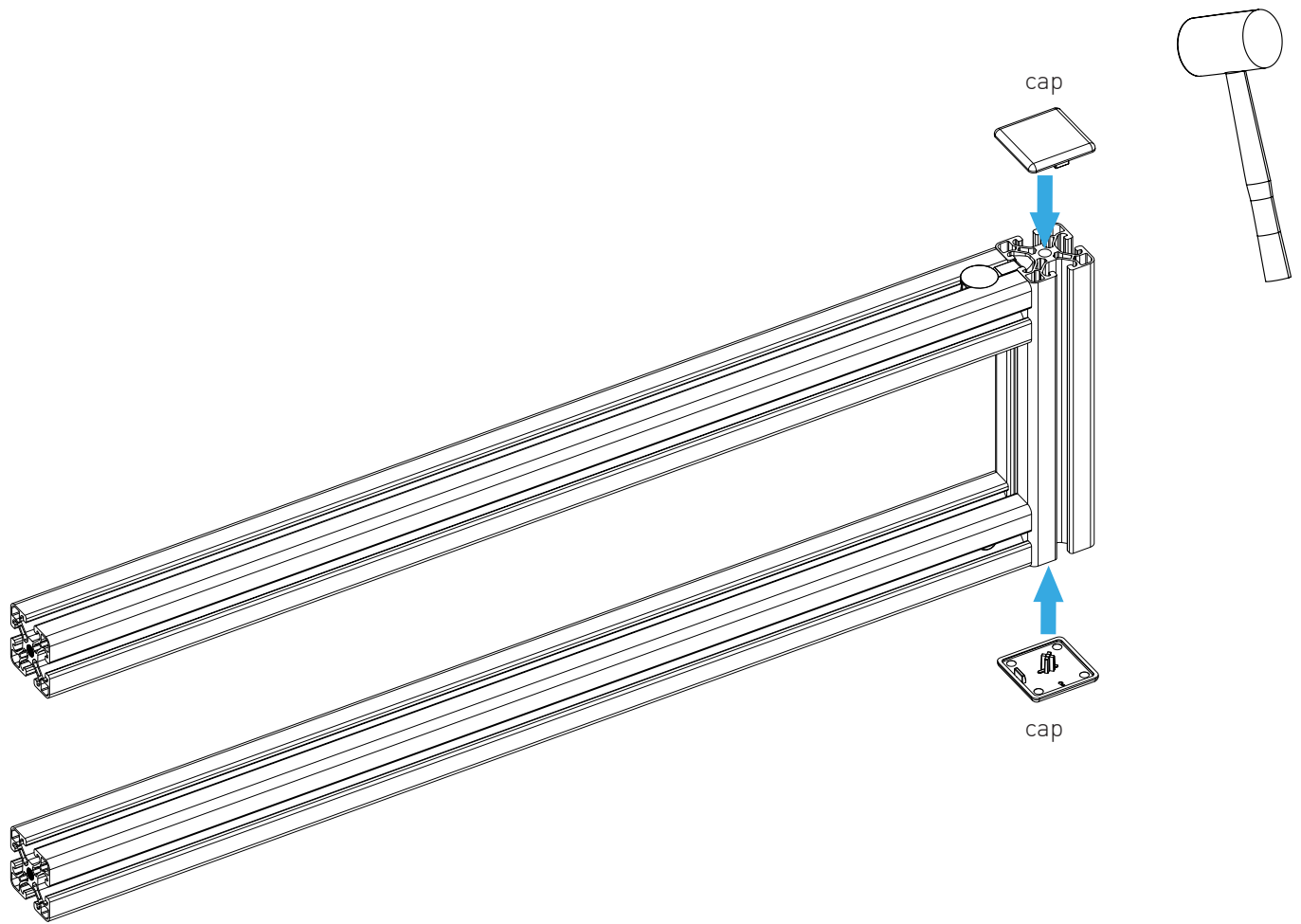


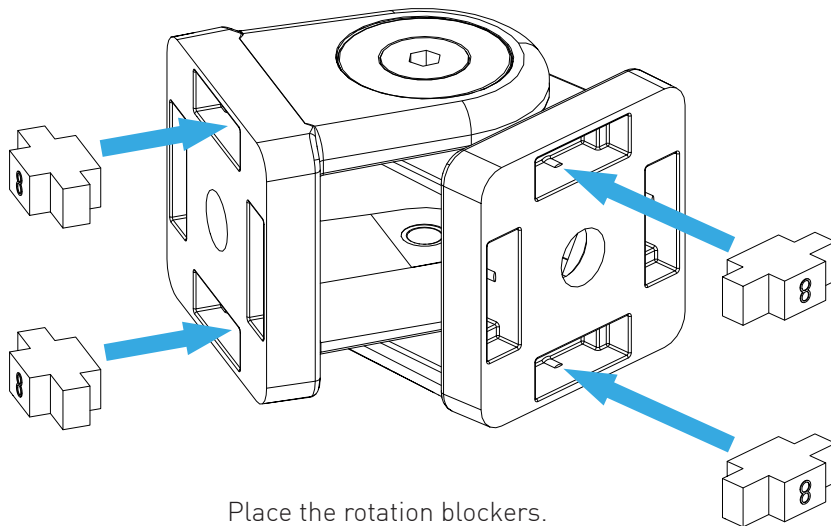
ASSEMBLY



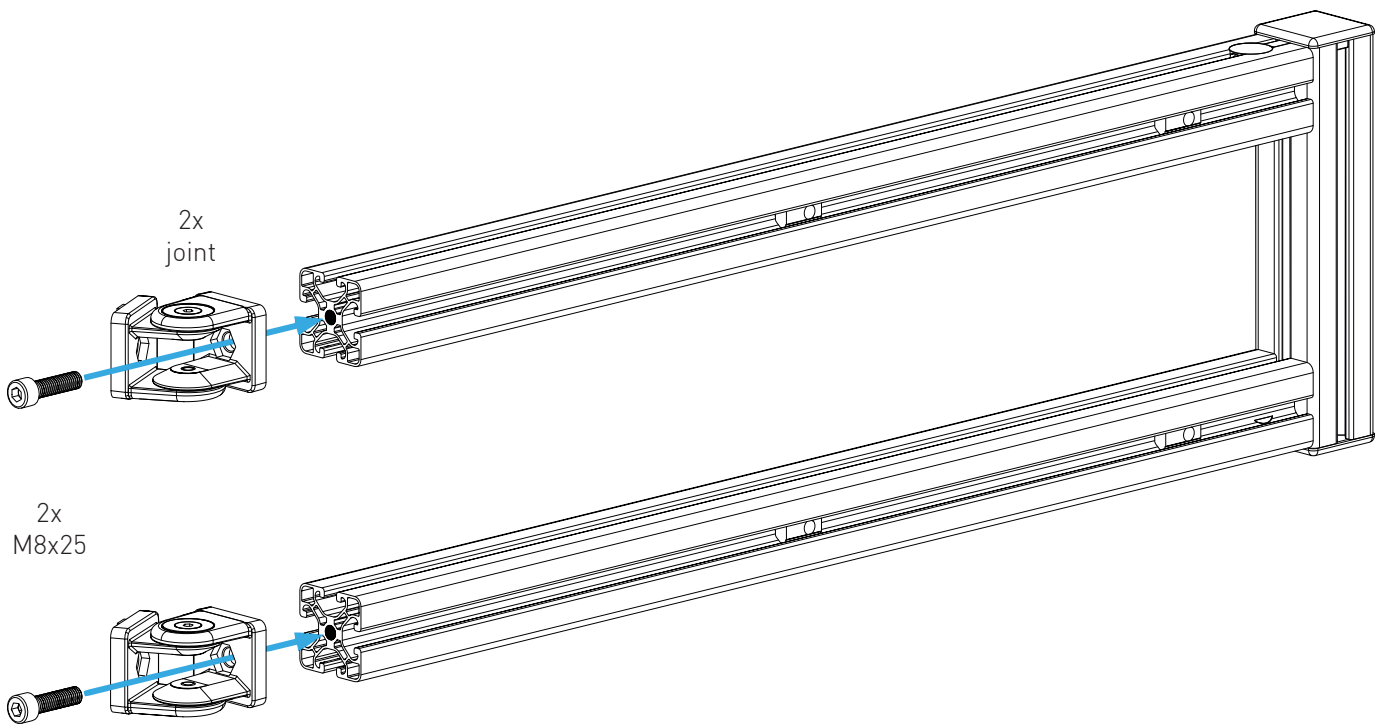
Every step has to be done for the left and for the right side.

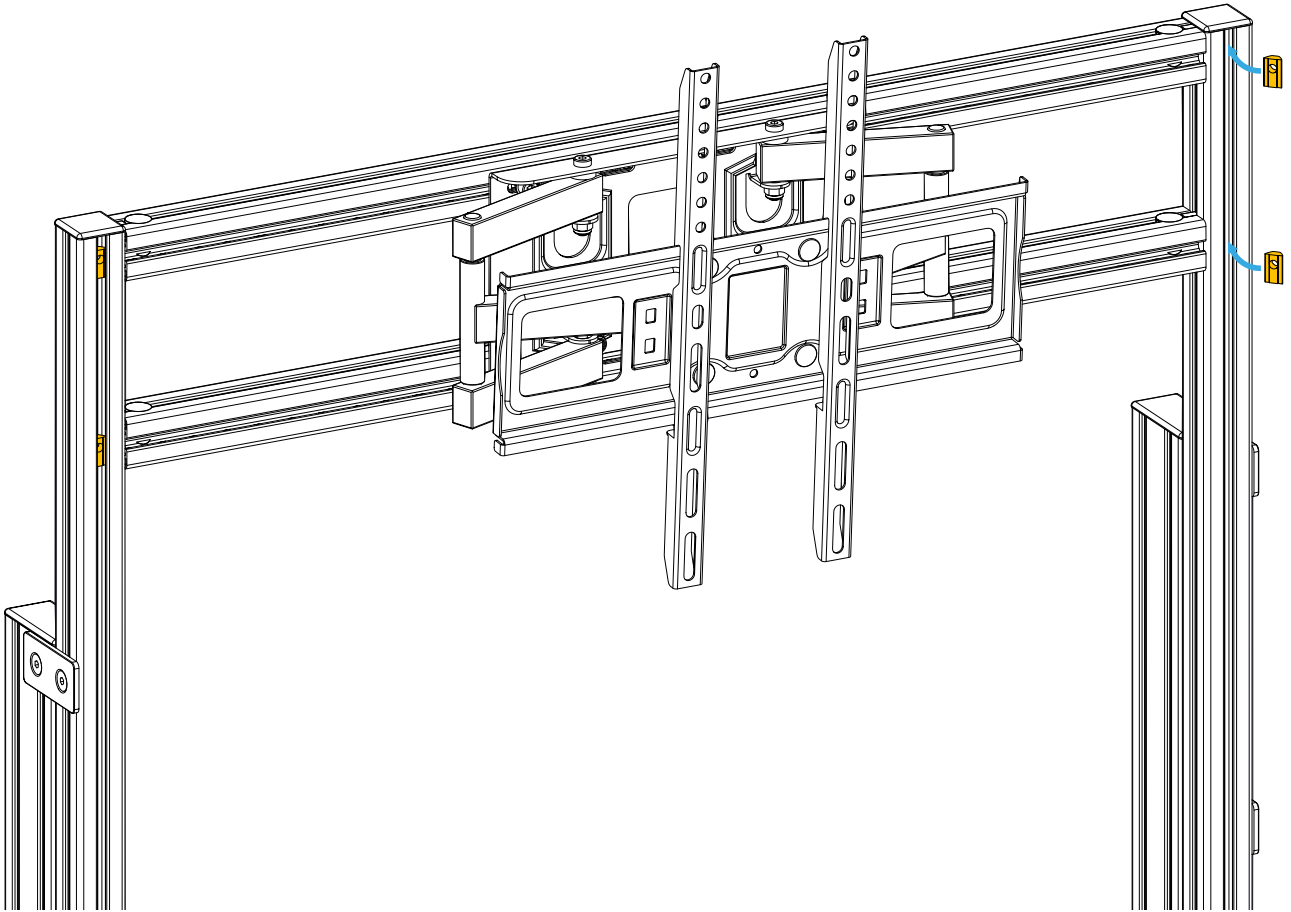




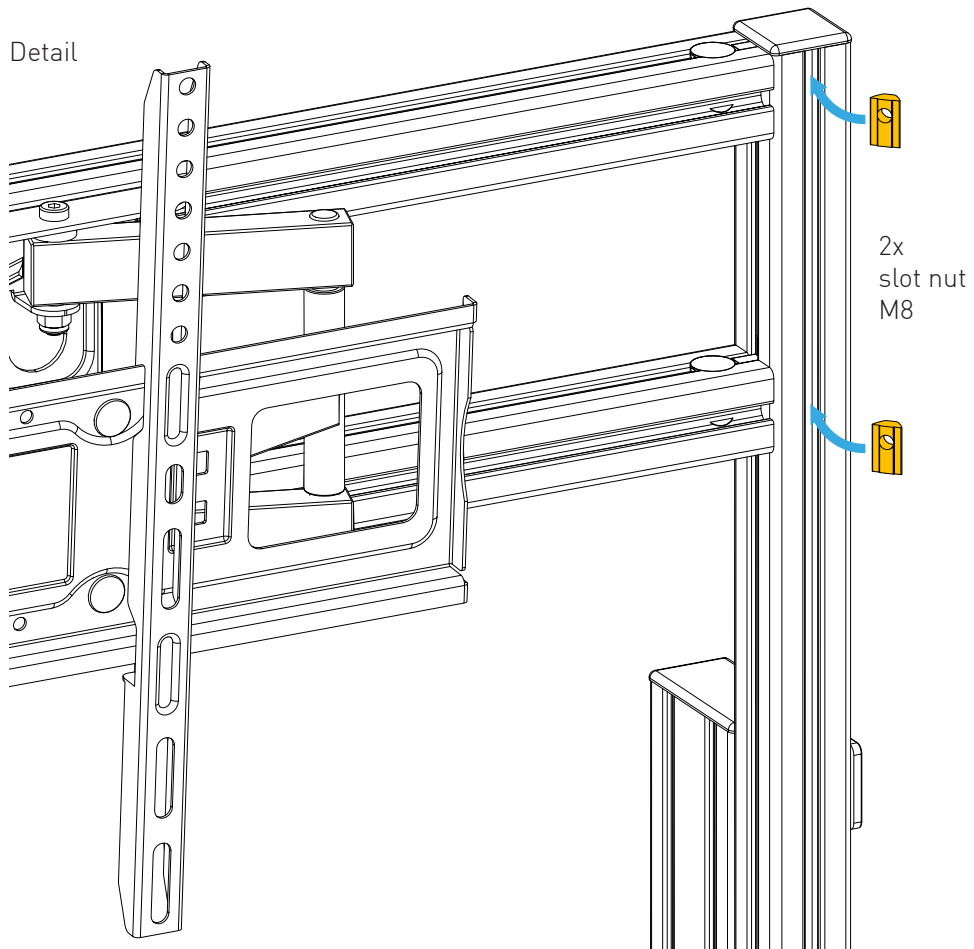


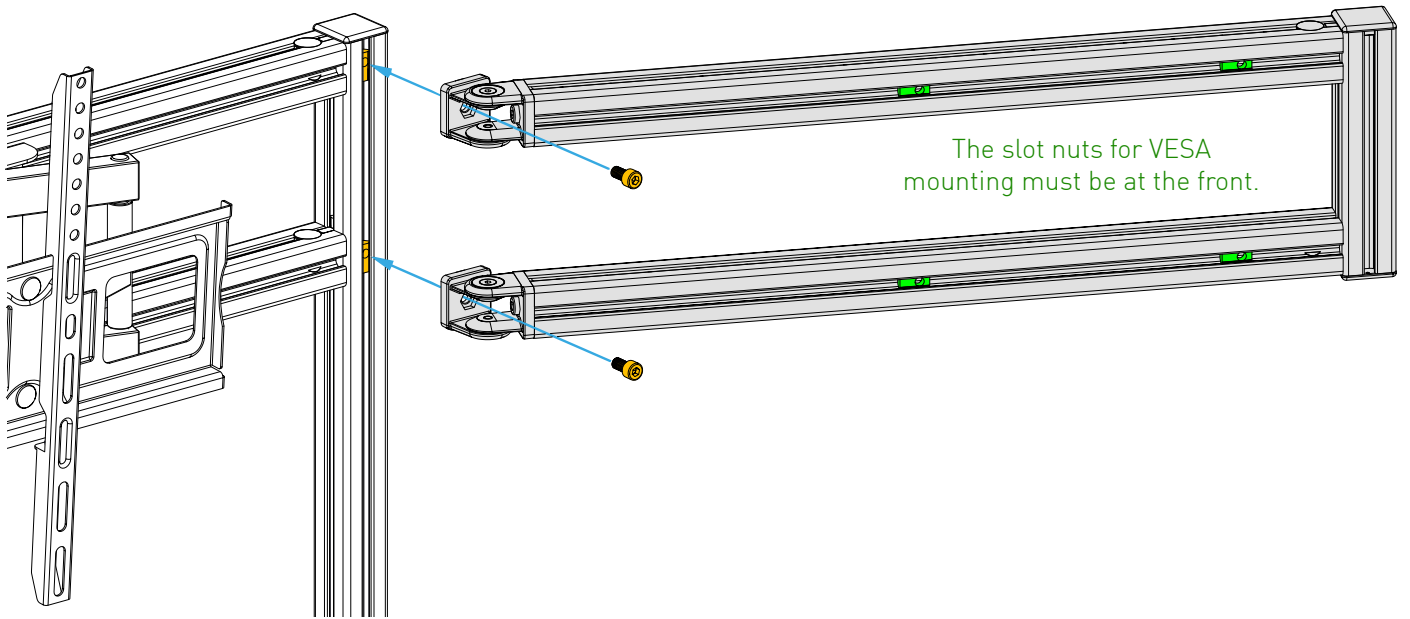
Place the rotation blockers.
 The number „8” must remain visible.
 Stands for slots with a width of 8mm.



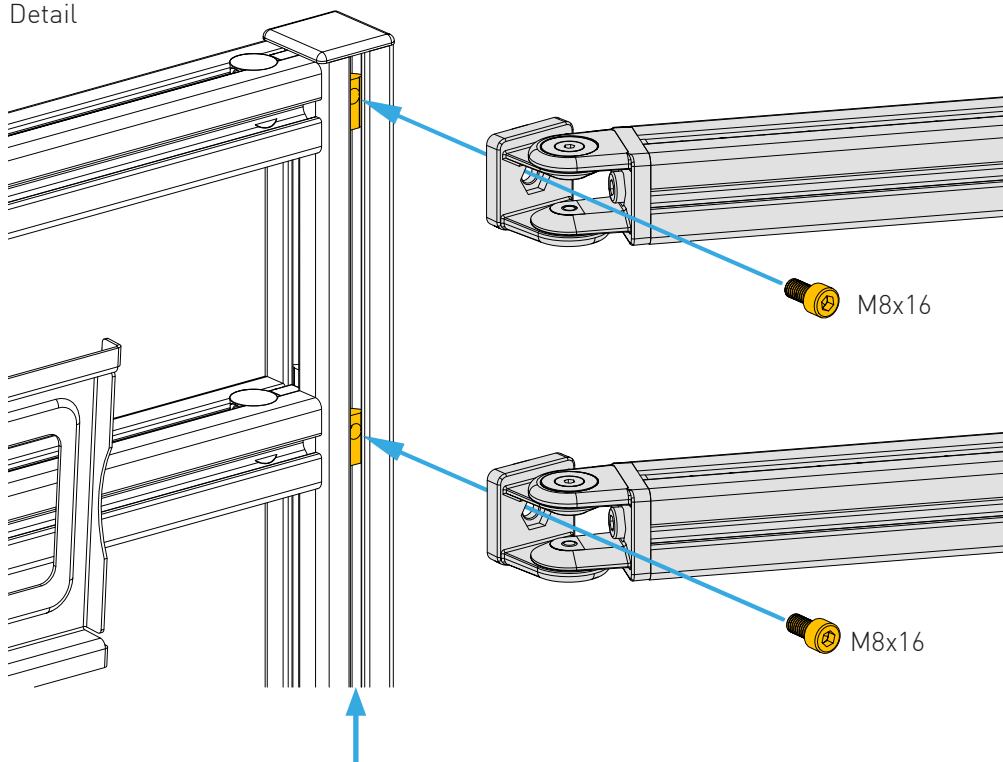


Detail

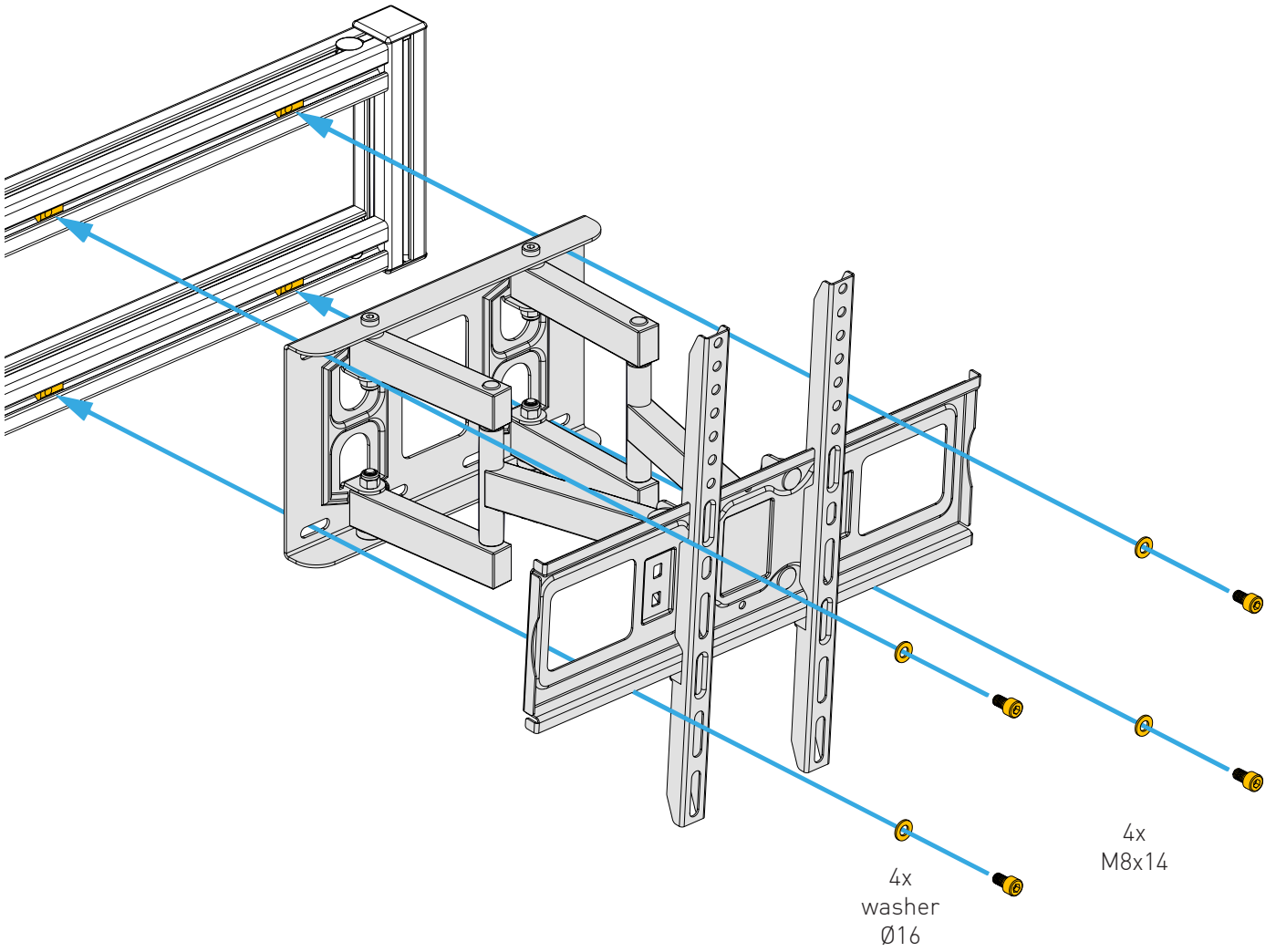




Detail



Always use the slot on the front so that the extensions cannot fold backwards and the TV stand tips over.



Assembly to
MTS cockpit
(TV/Monitor Internal)
has to be done the
same way.

