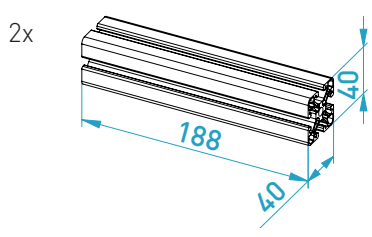
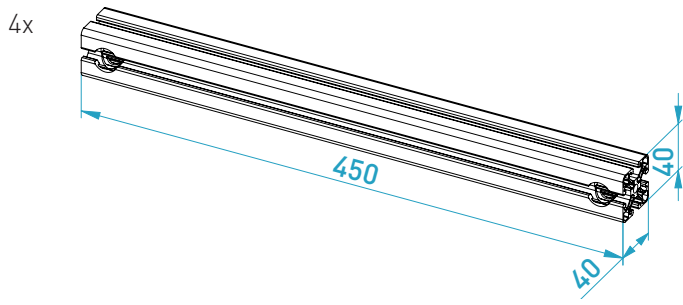
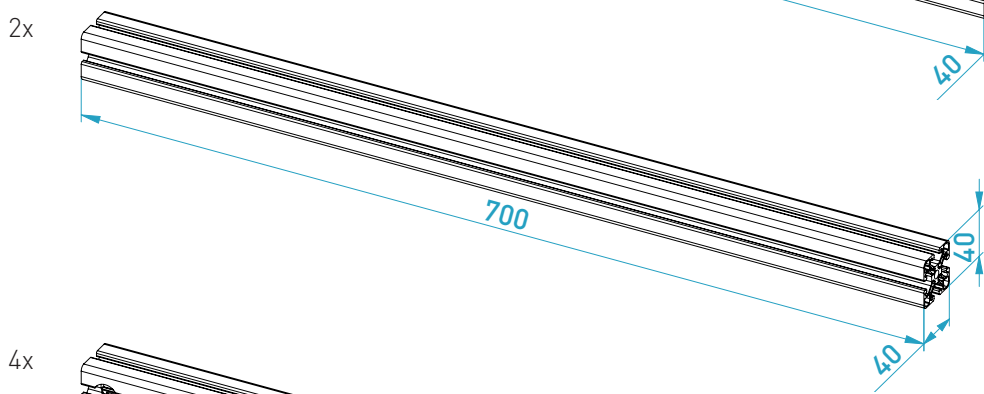
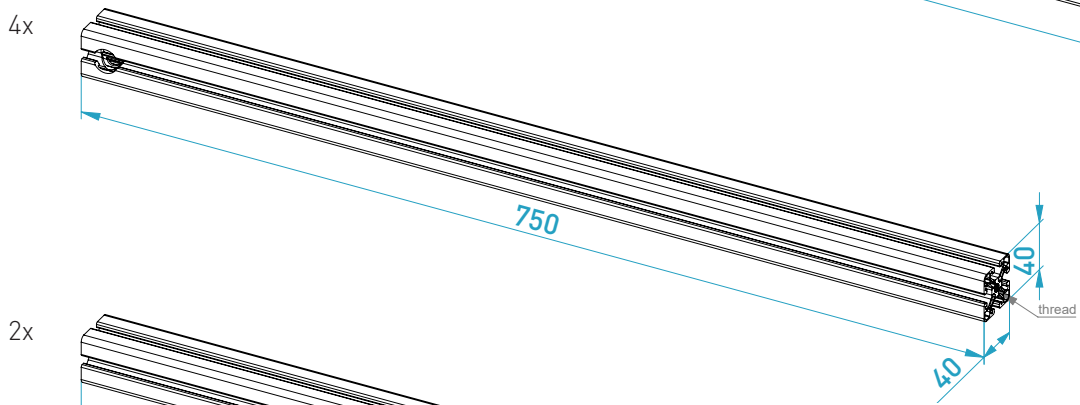
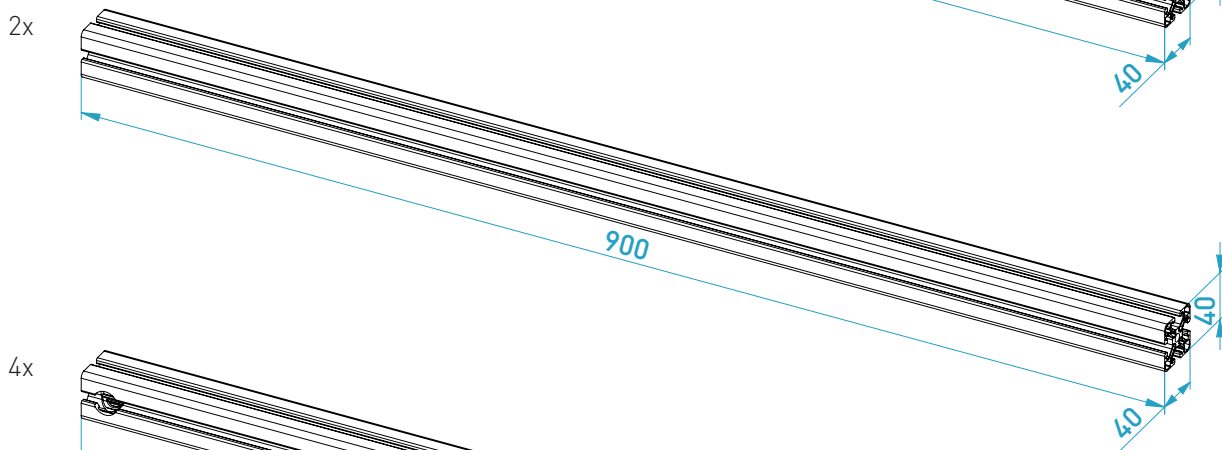
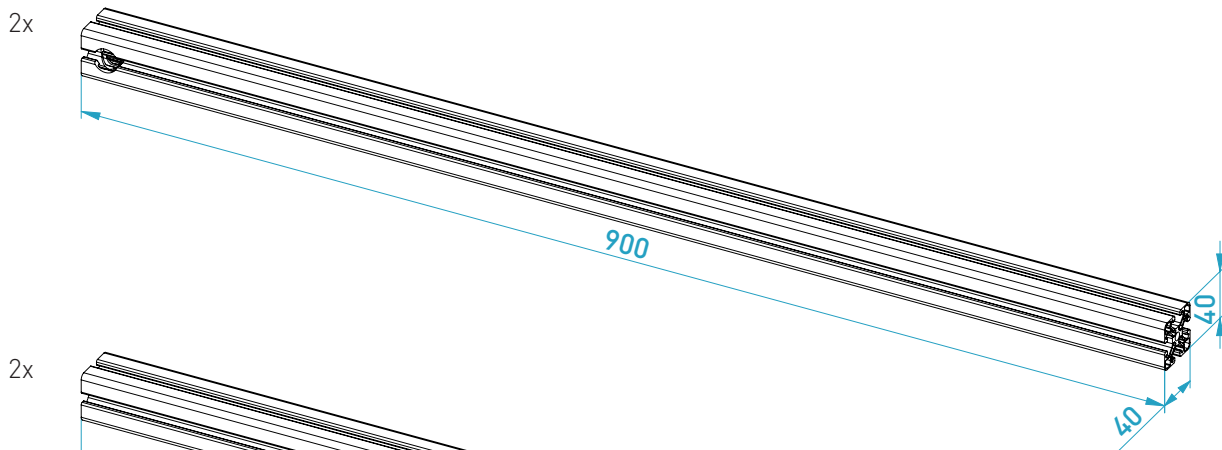


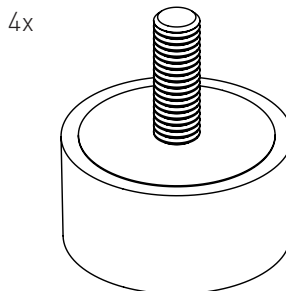
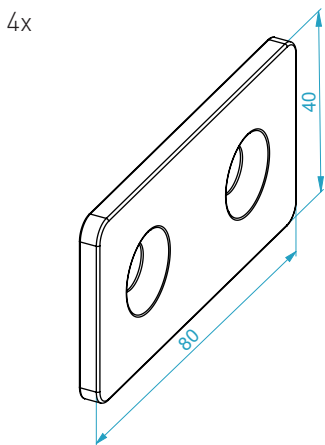
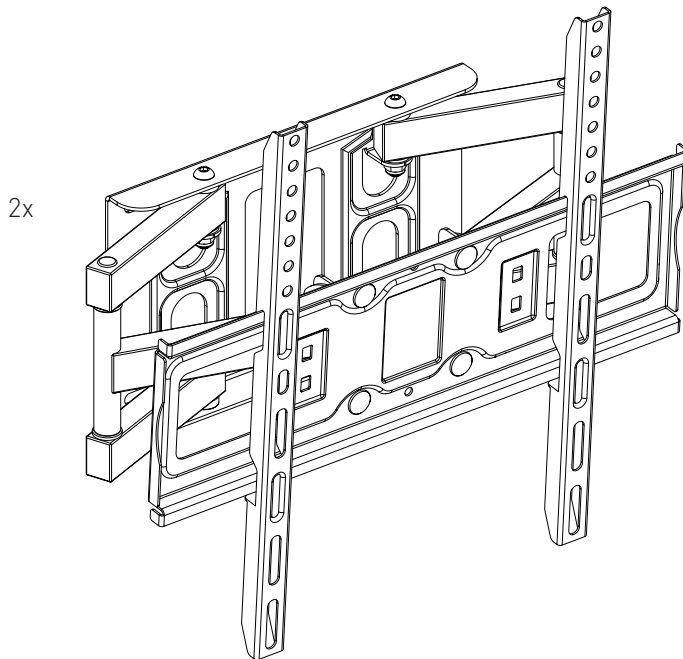
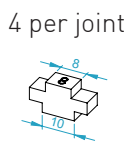
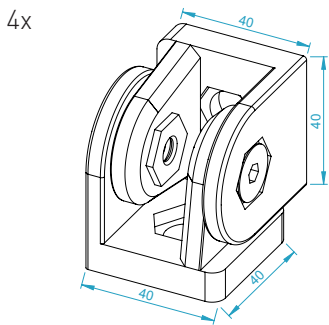
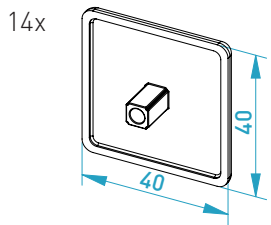
# TV/MONITOR TRIPLE XL EXTENSION

Instruction Manual  
Bedienungsanleitung  
Mode d'emploi

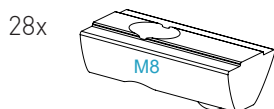
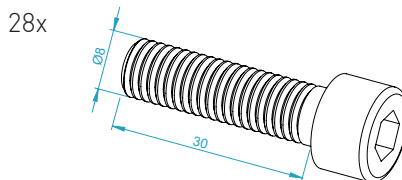
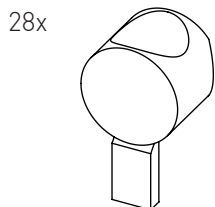
# PARTS

[dimensions in mm / different scales]  
No extra or spare parts listed!

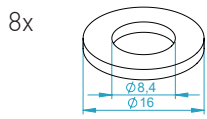
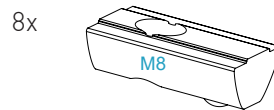
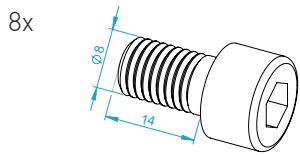




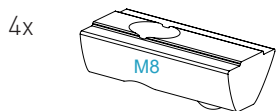
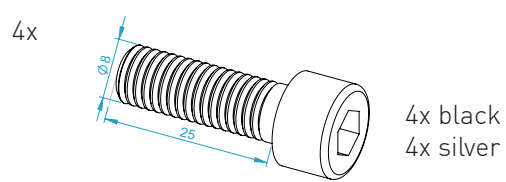
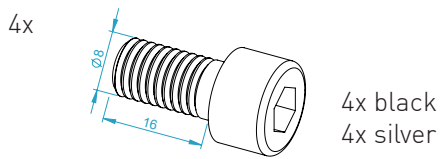
BAG 1 - universal connectors



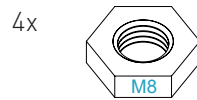
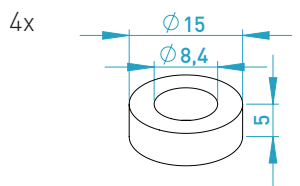
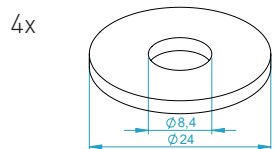
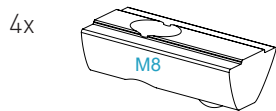
### BAG 2 - VESA mount assembly



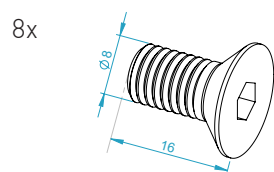
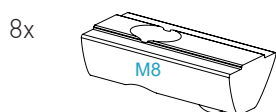
### BAG 3 - joint assembly



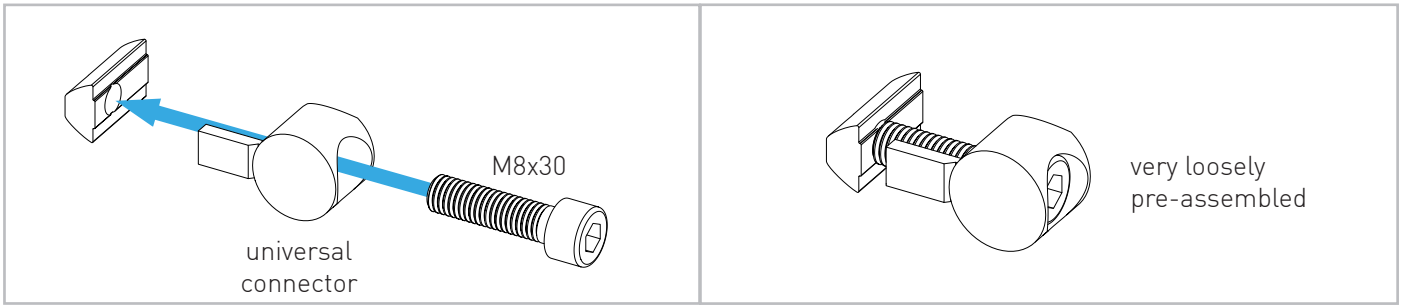
### BAG 4 - feet assembly



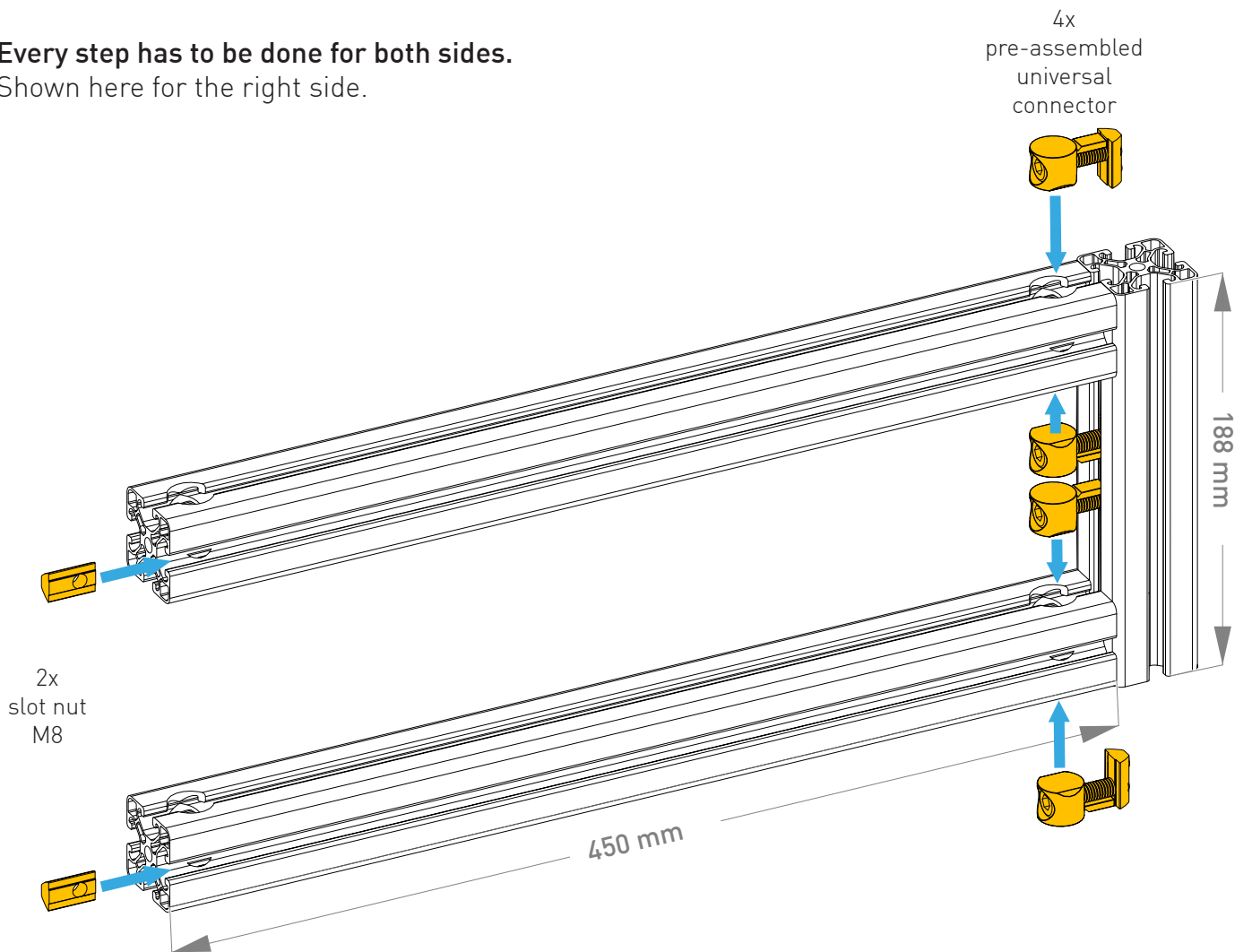
### BAG 5 - connector plate assembly



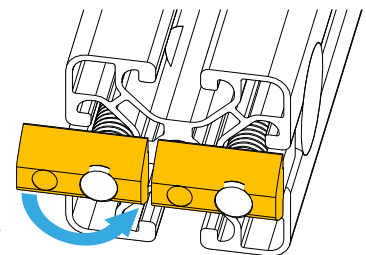
# ASSEMBLY

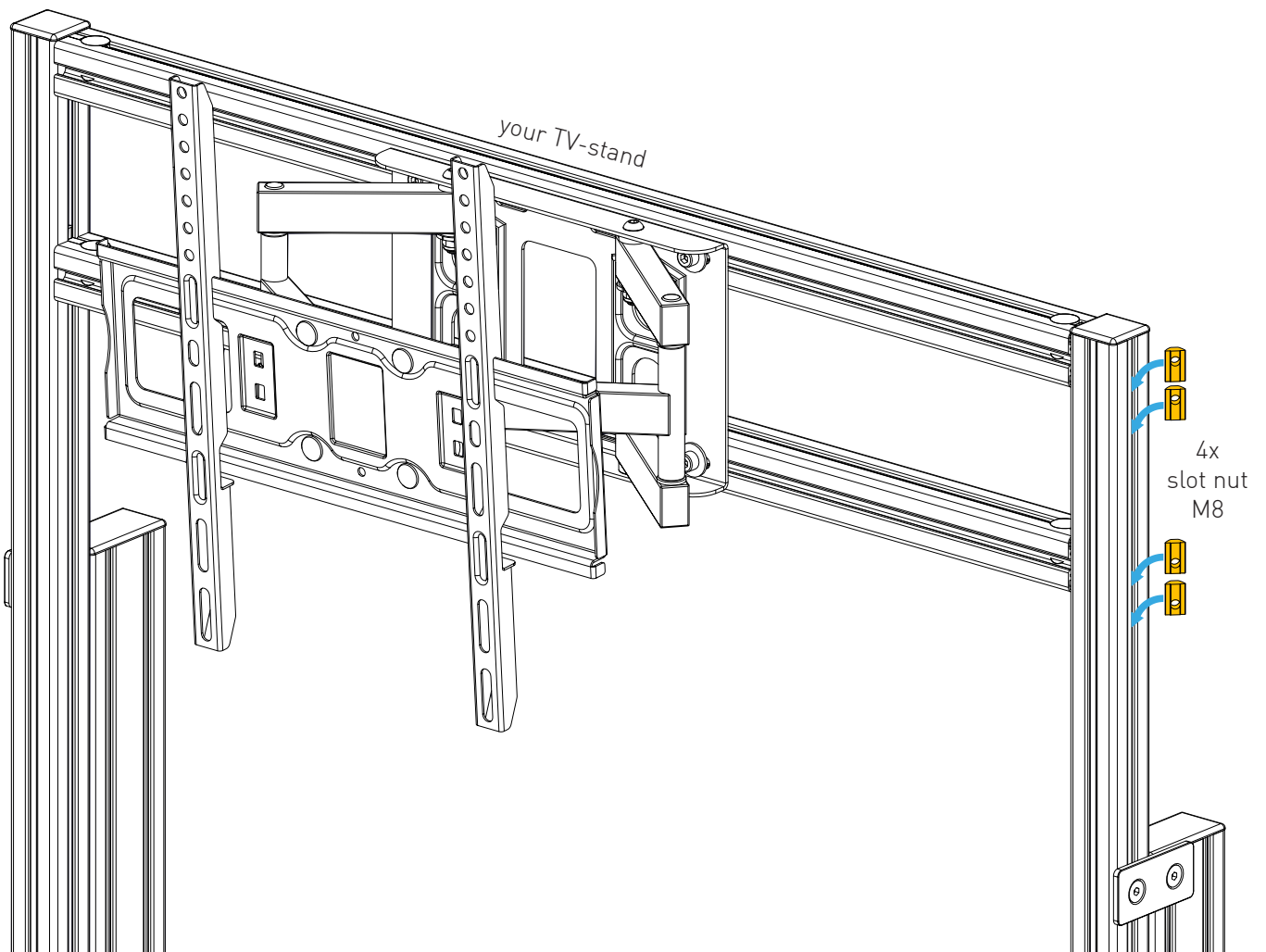
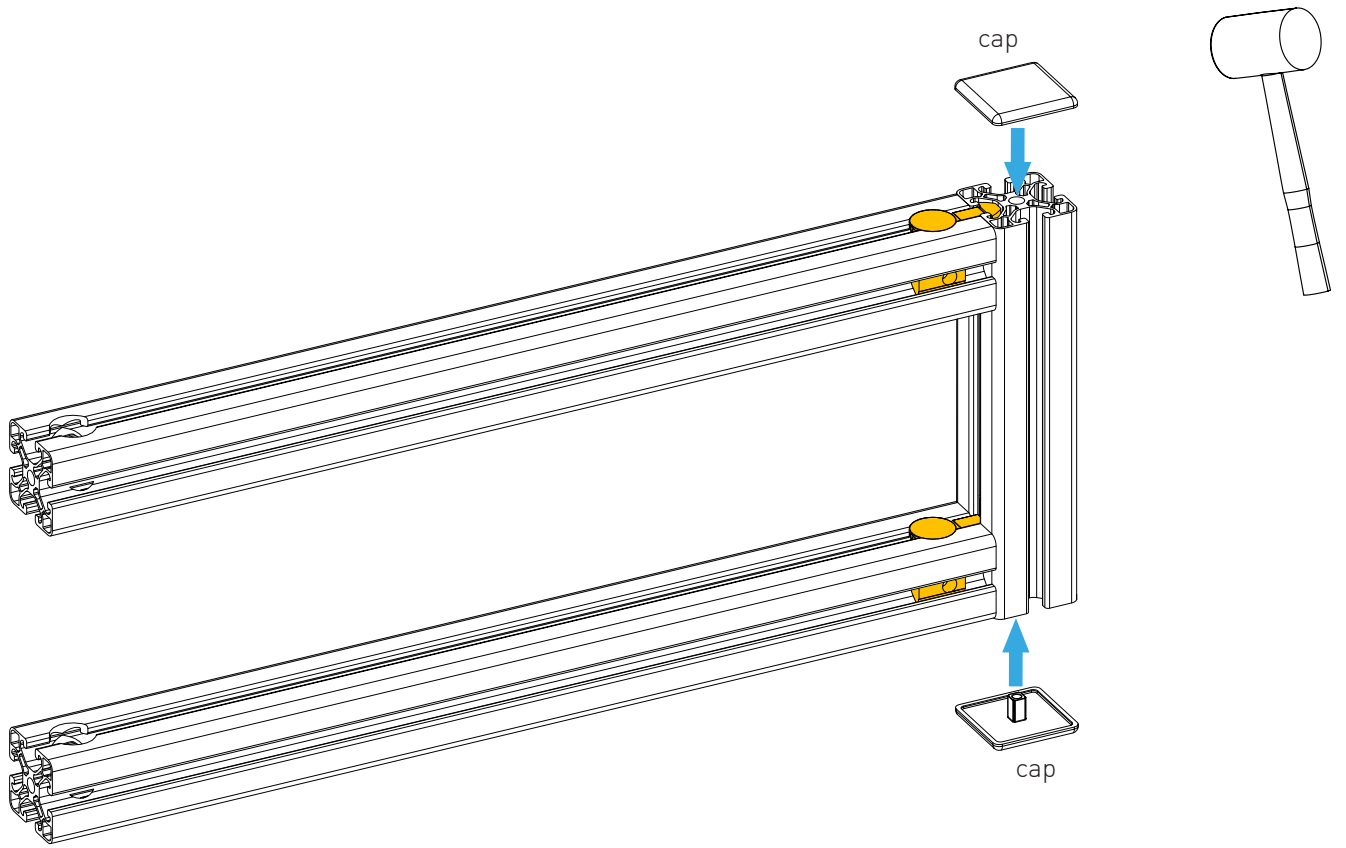


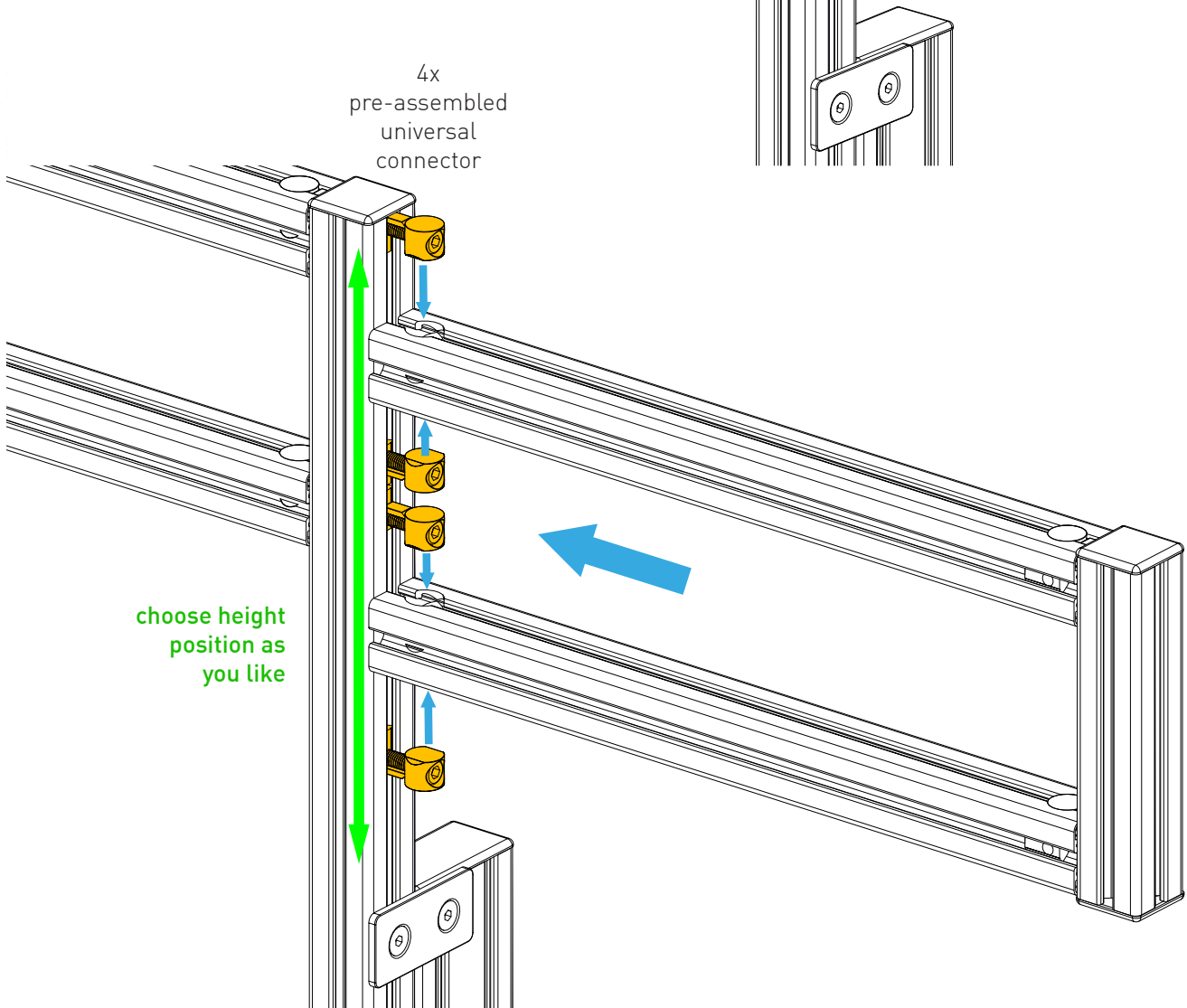
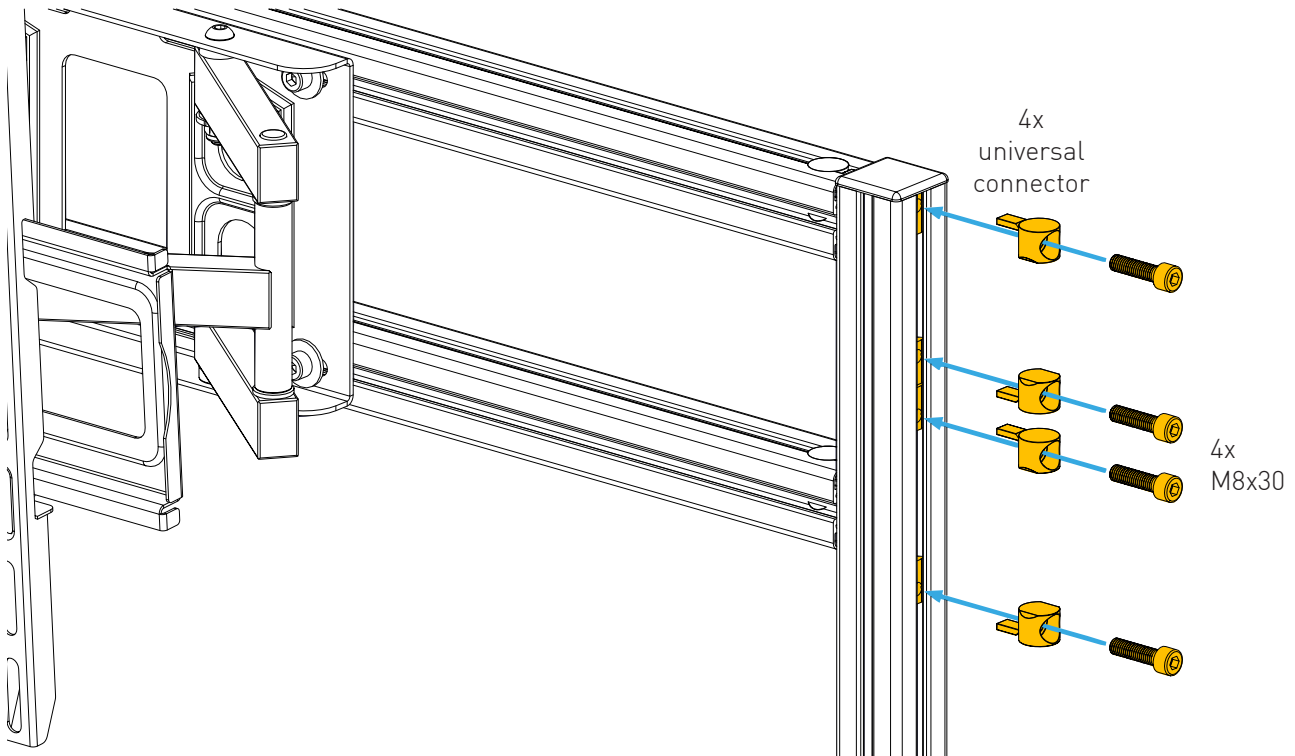
**Every step has to be done for both sides.**  
Shown here for the right side.



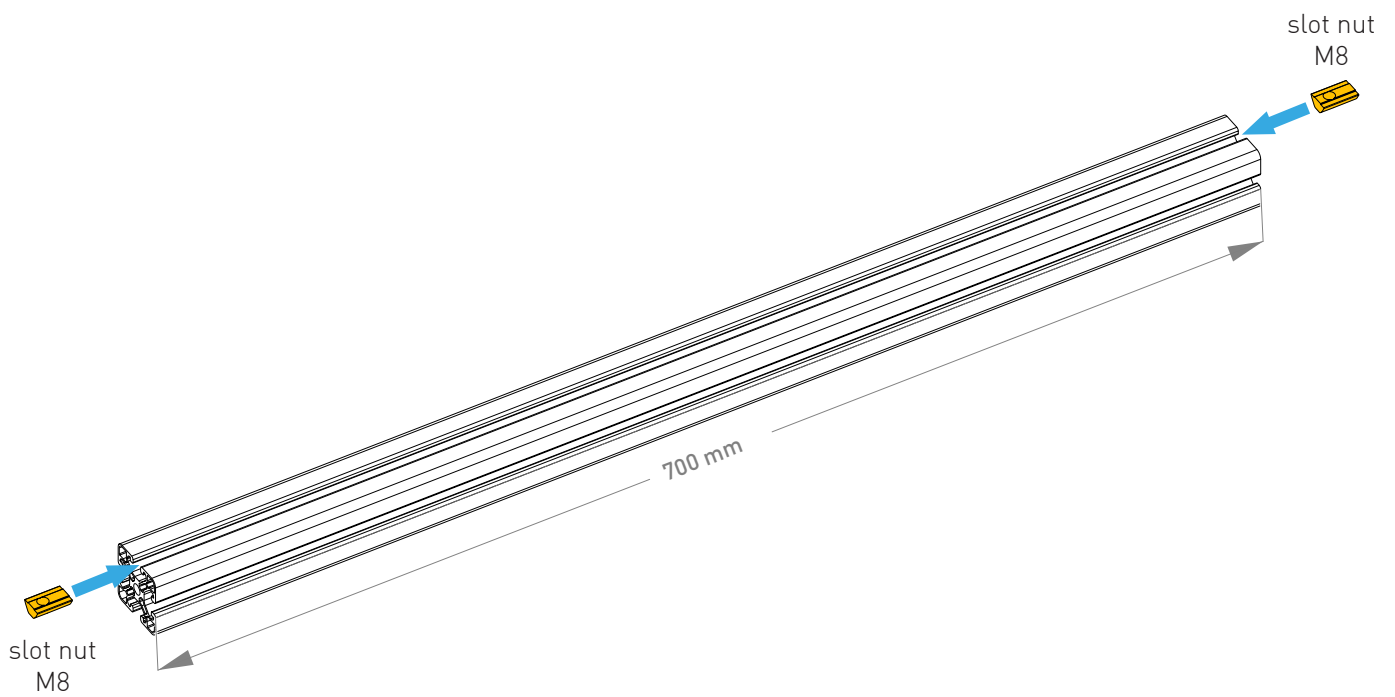
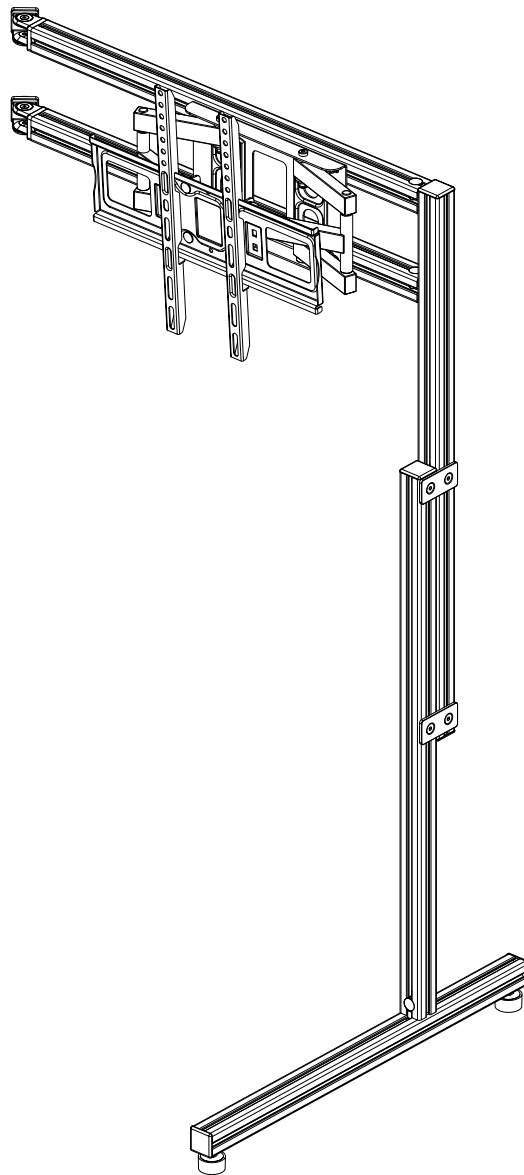
For assembly of 40x40mm profiles slot nut on one side has to be turned 180°. Else they collide.



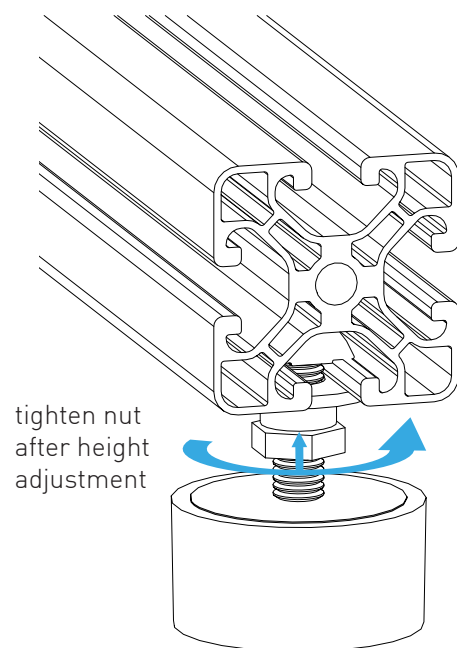
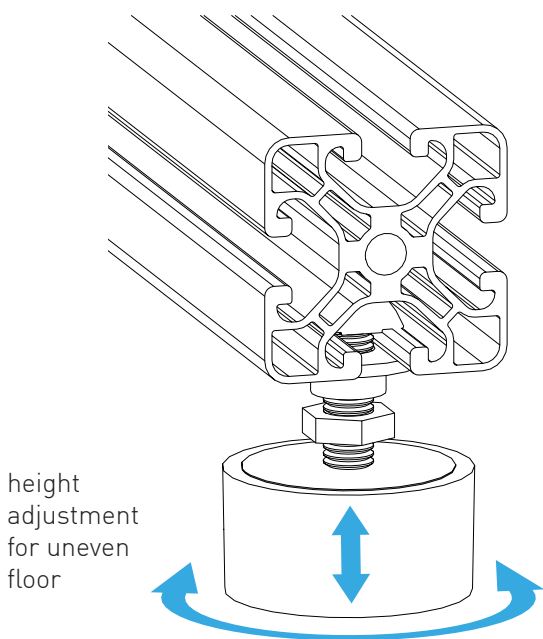
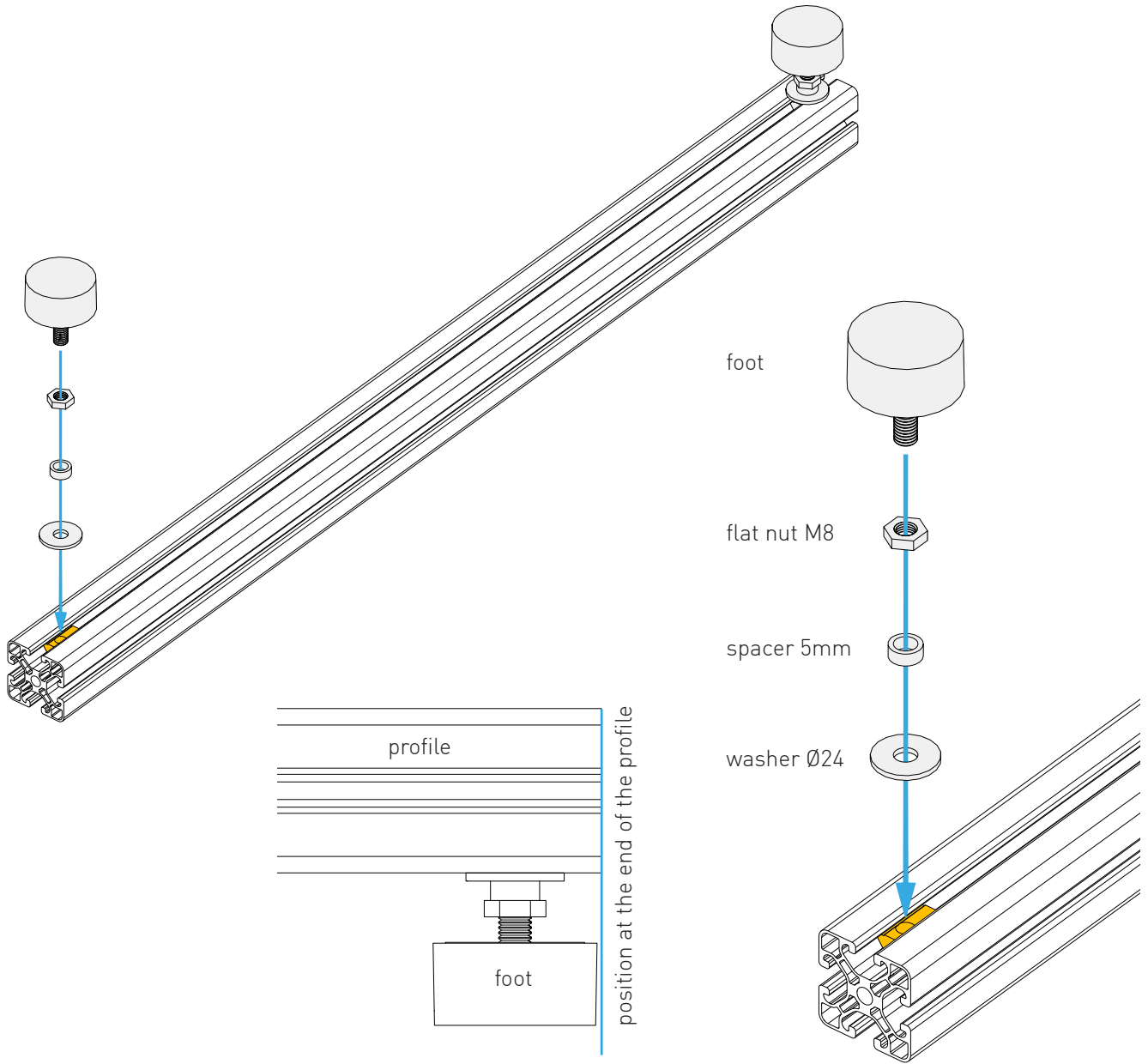


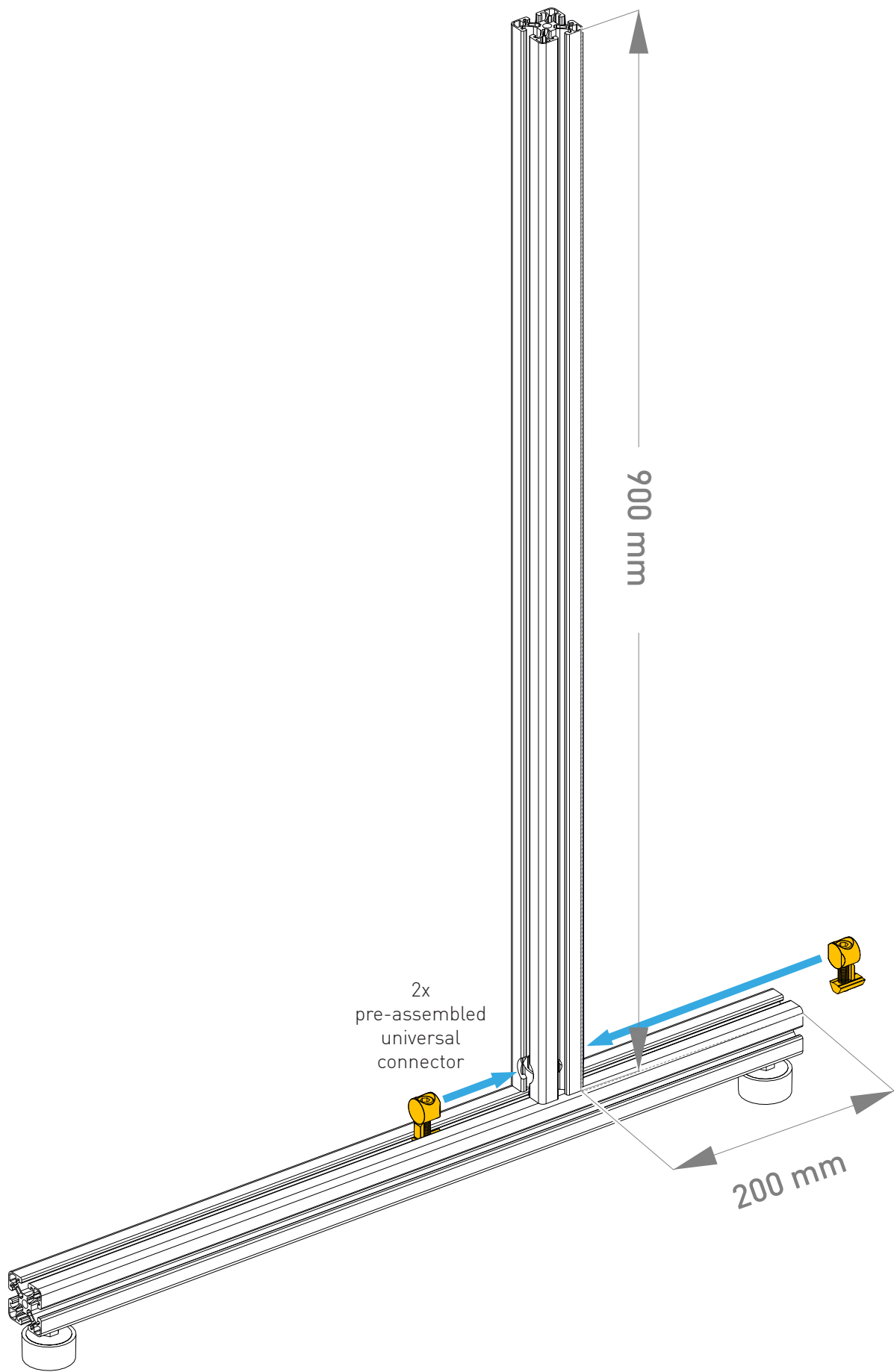


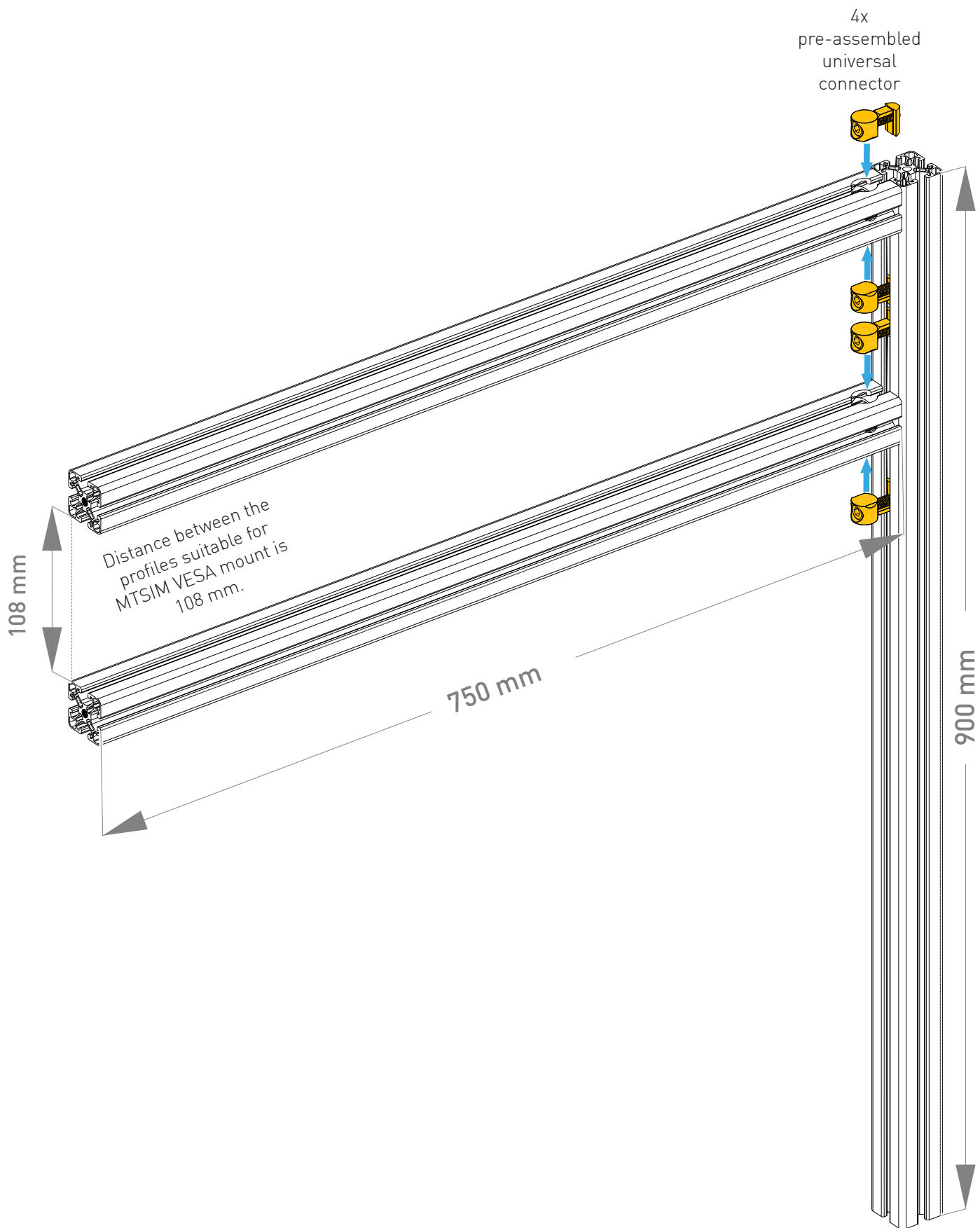
Now let's assemble these parts:

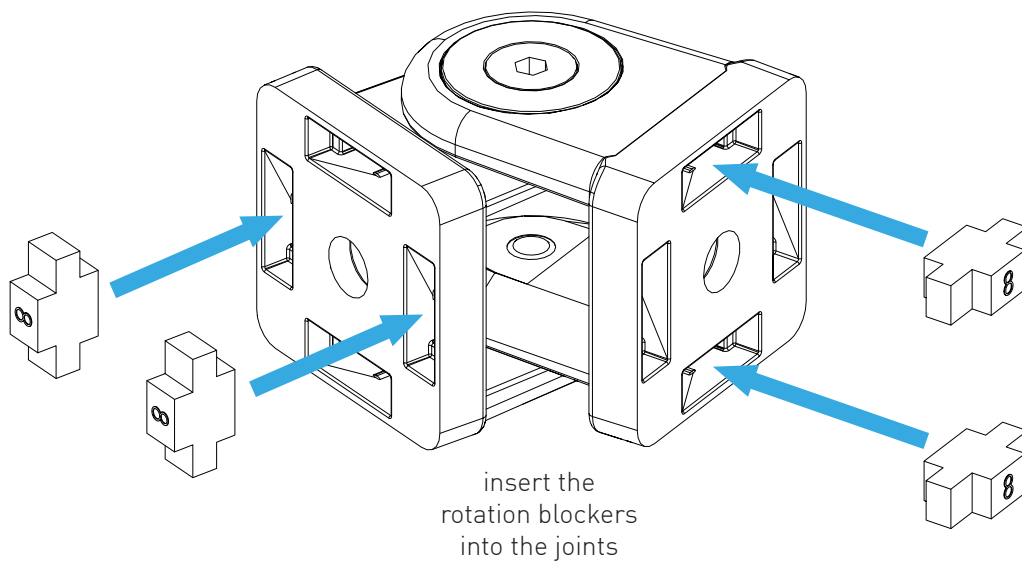
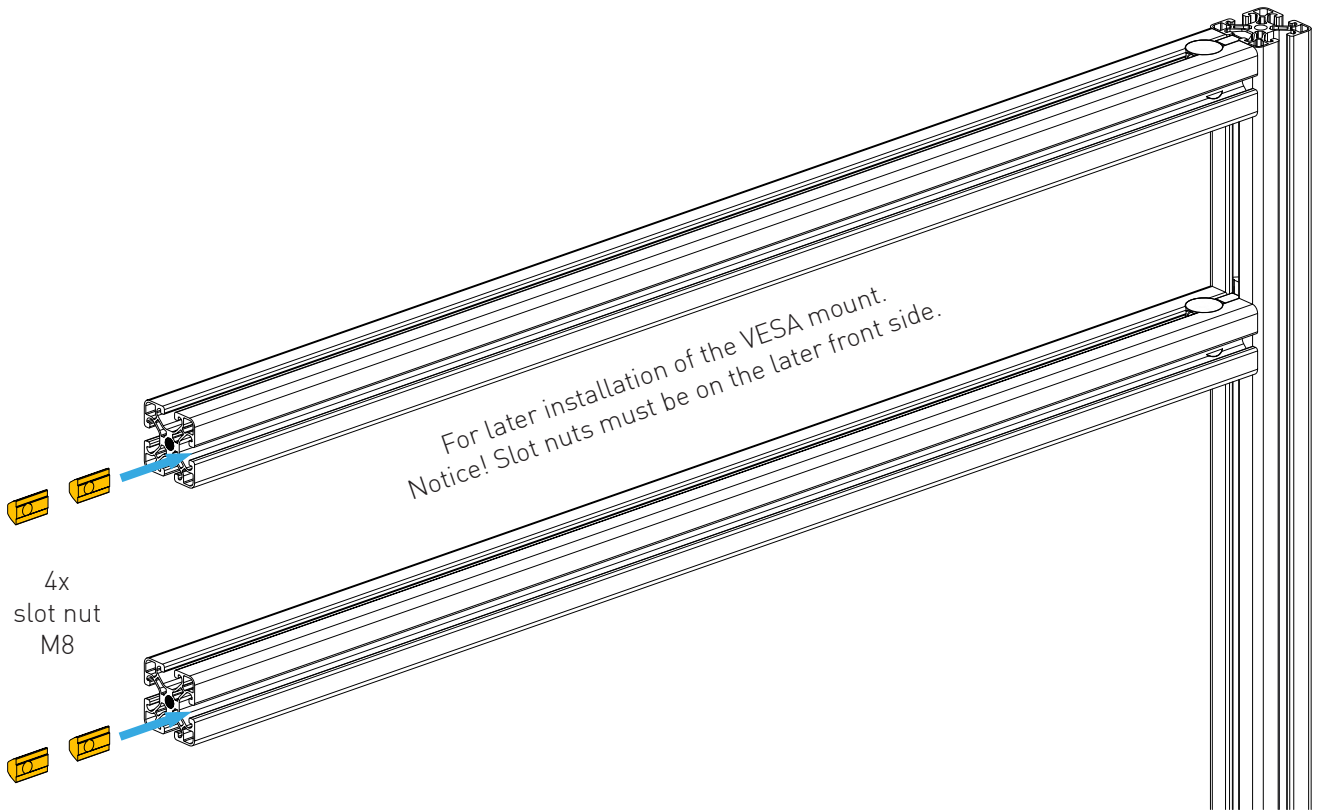


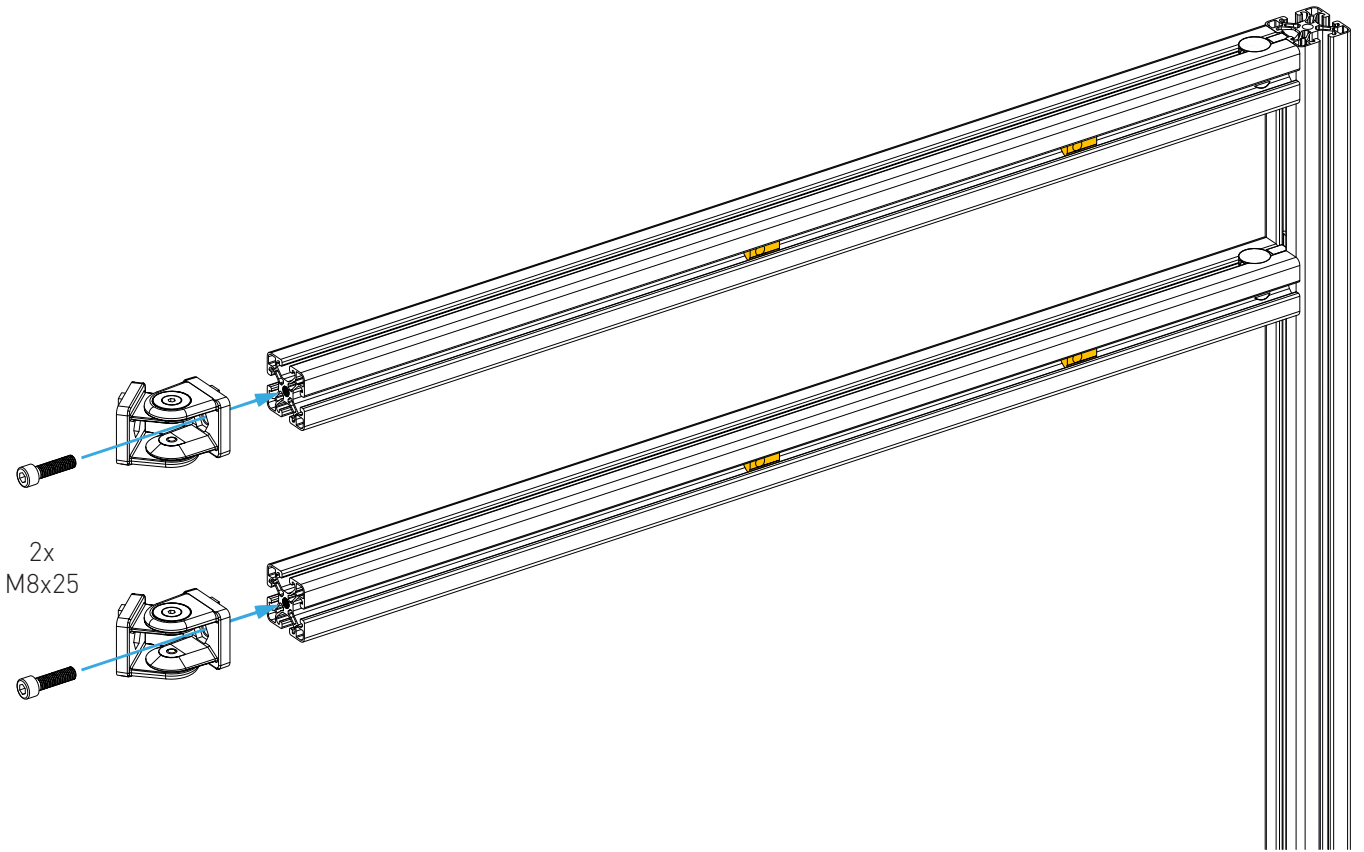


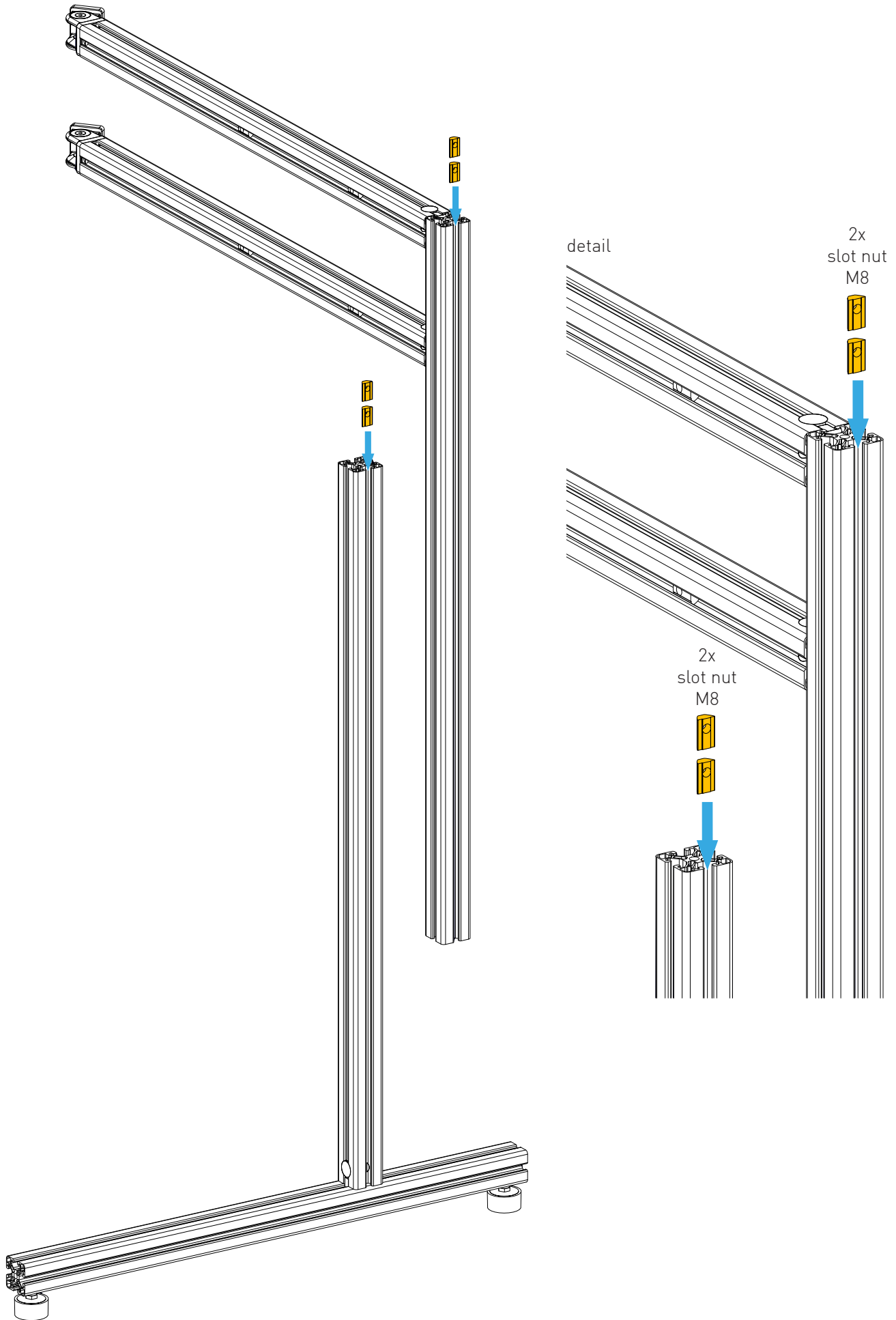


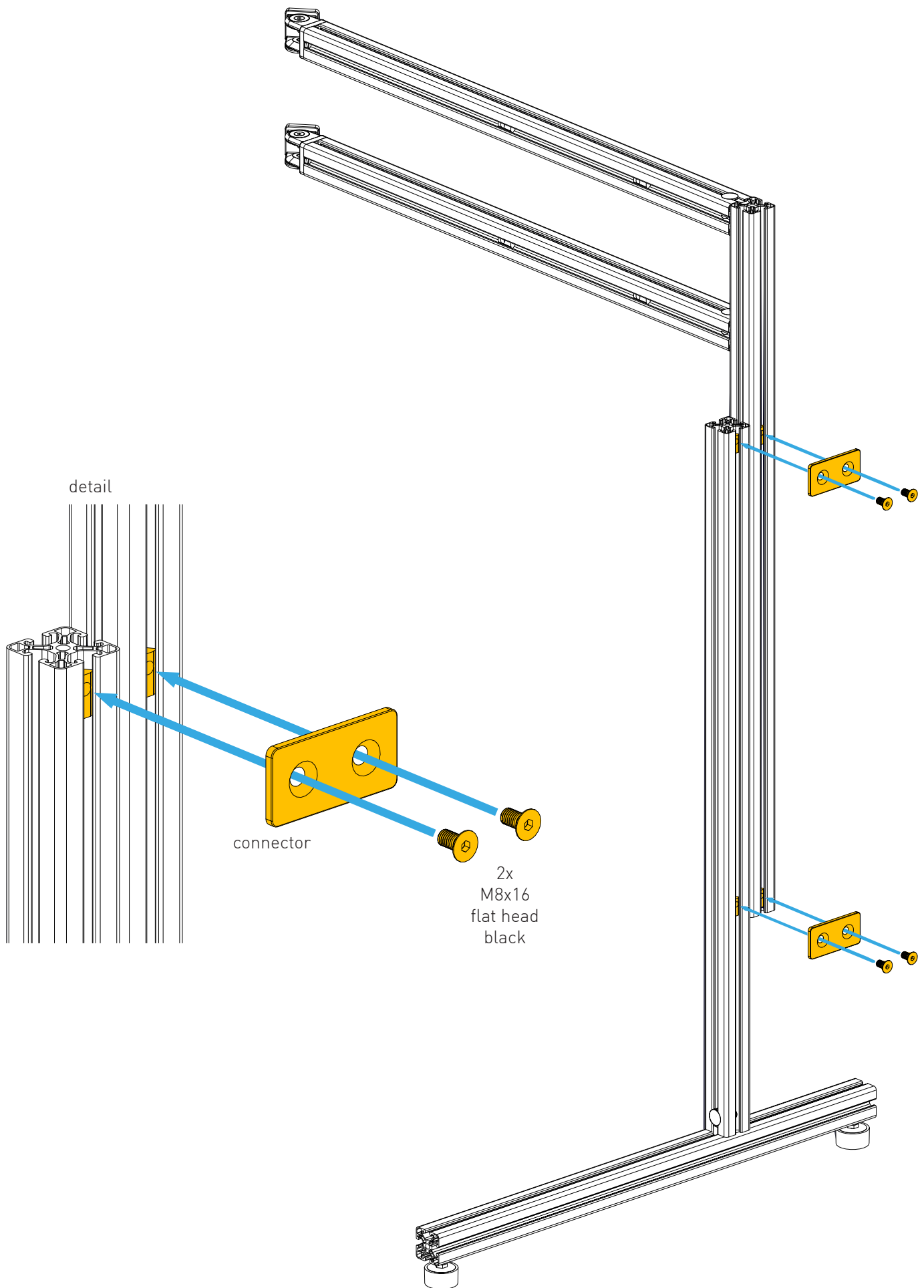


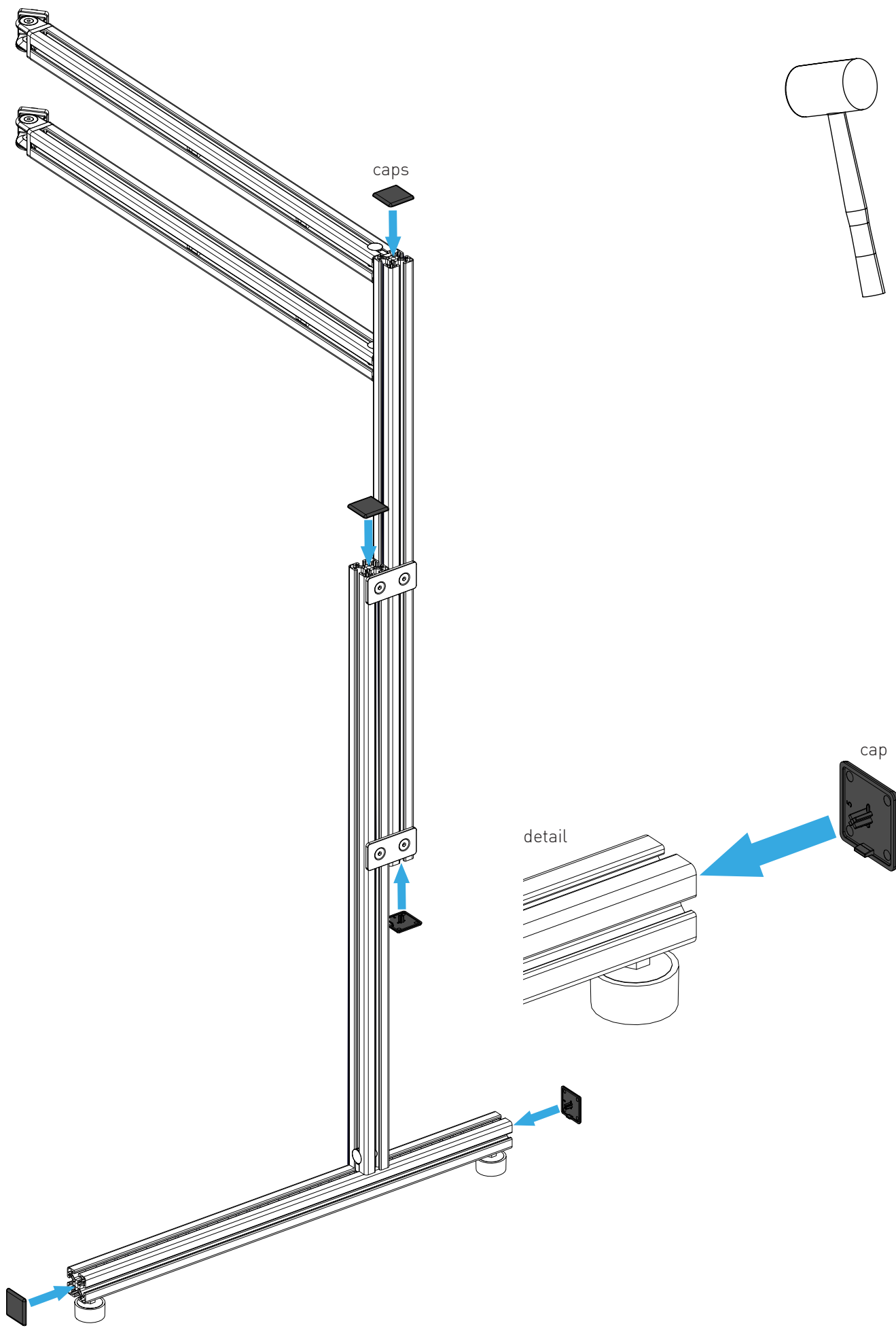




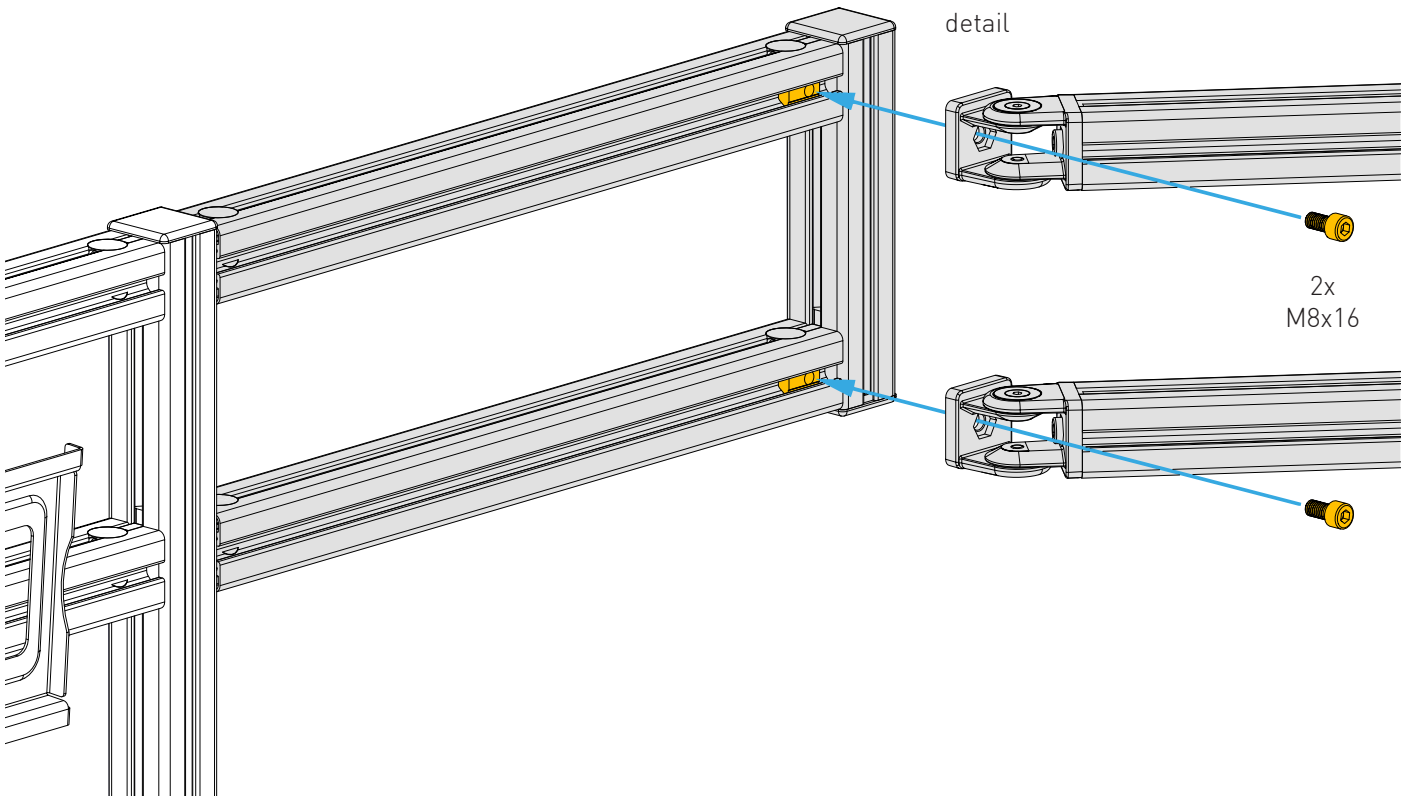
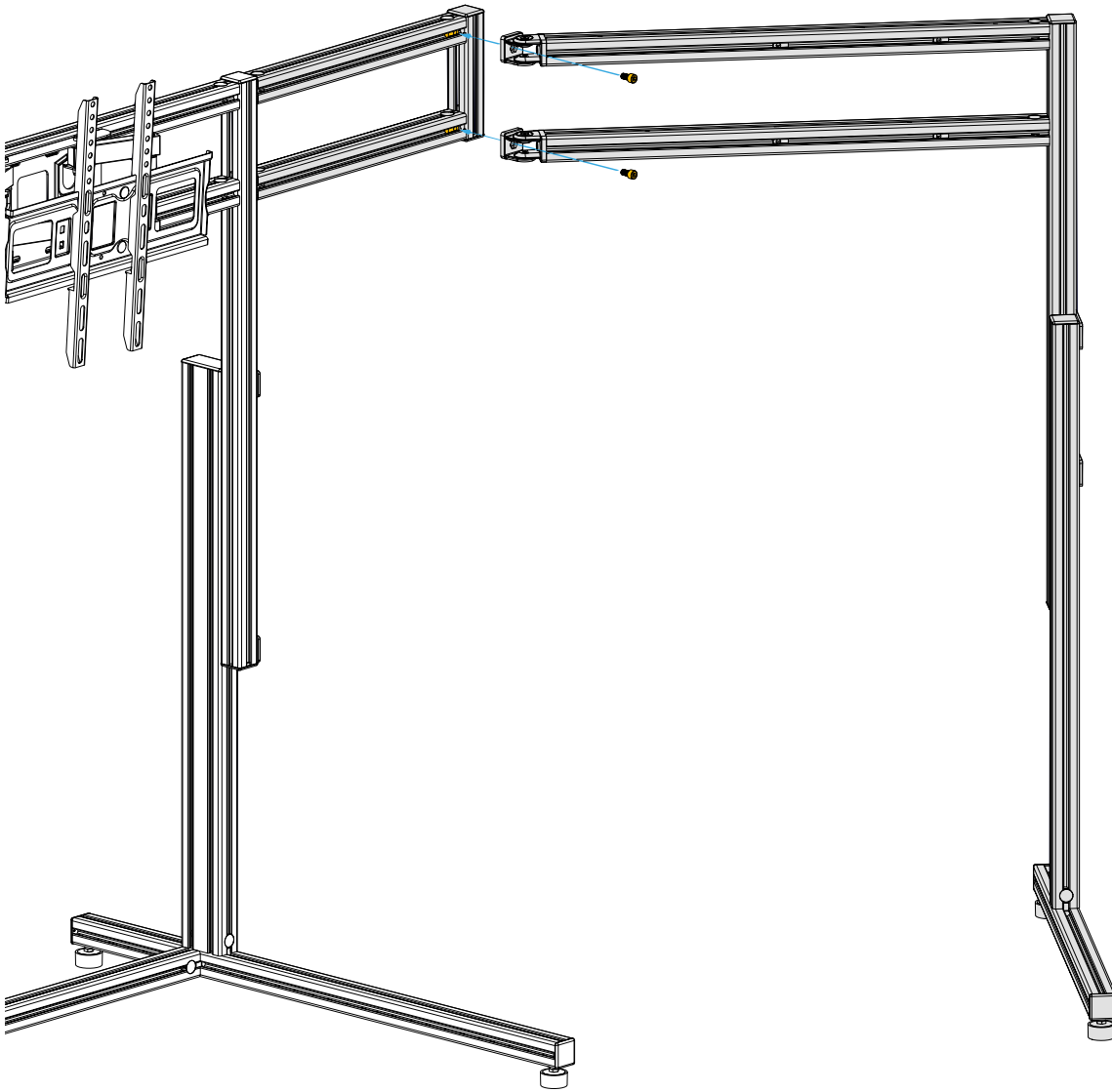


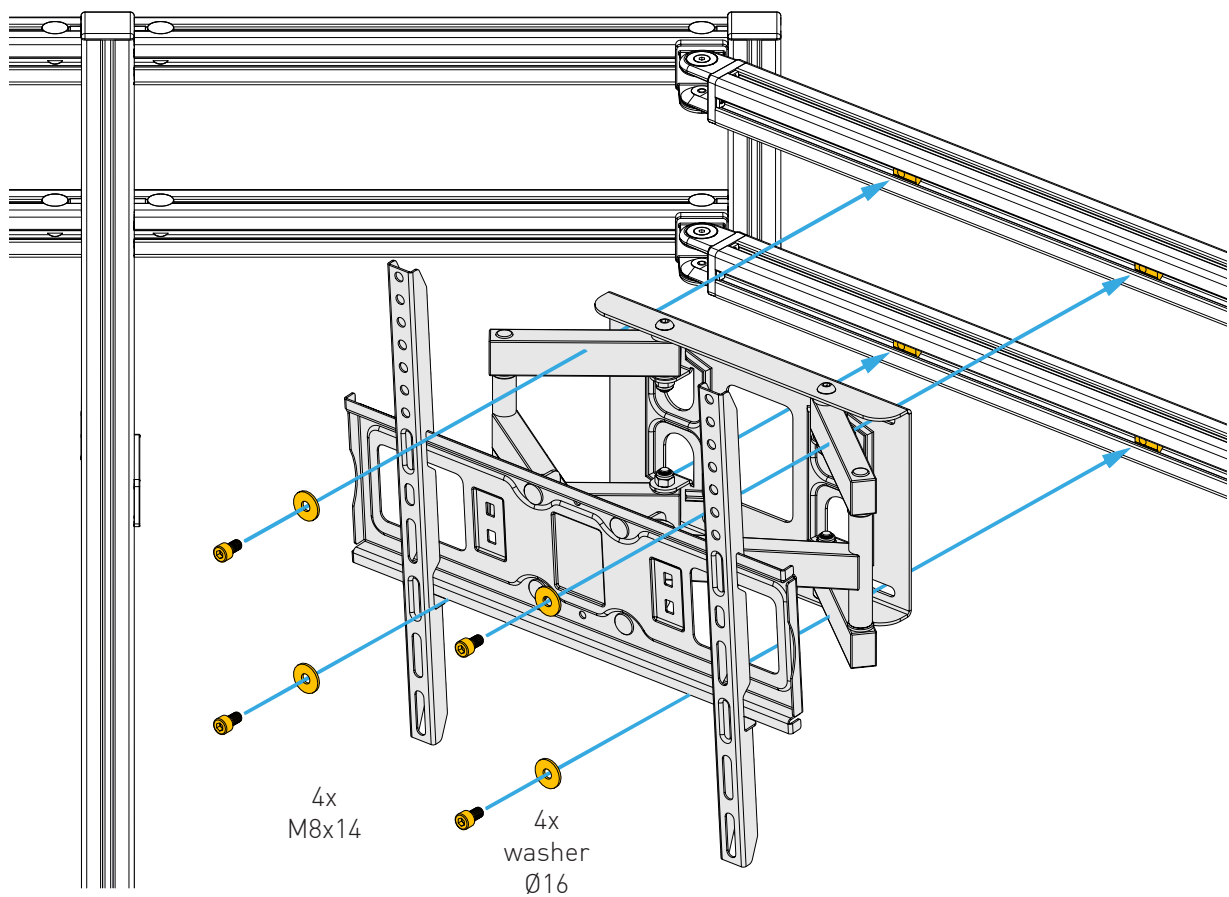
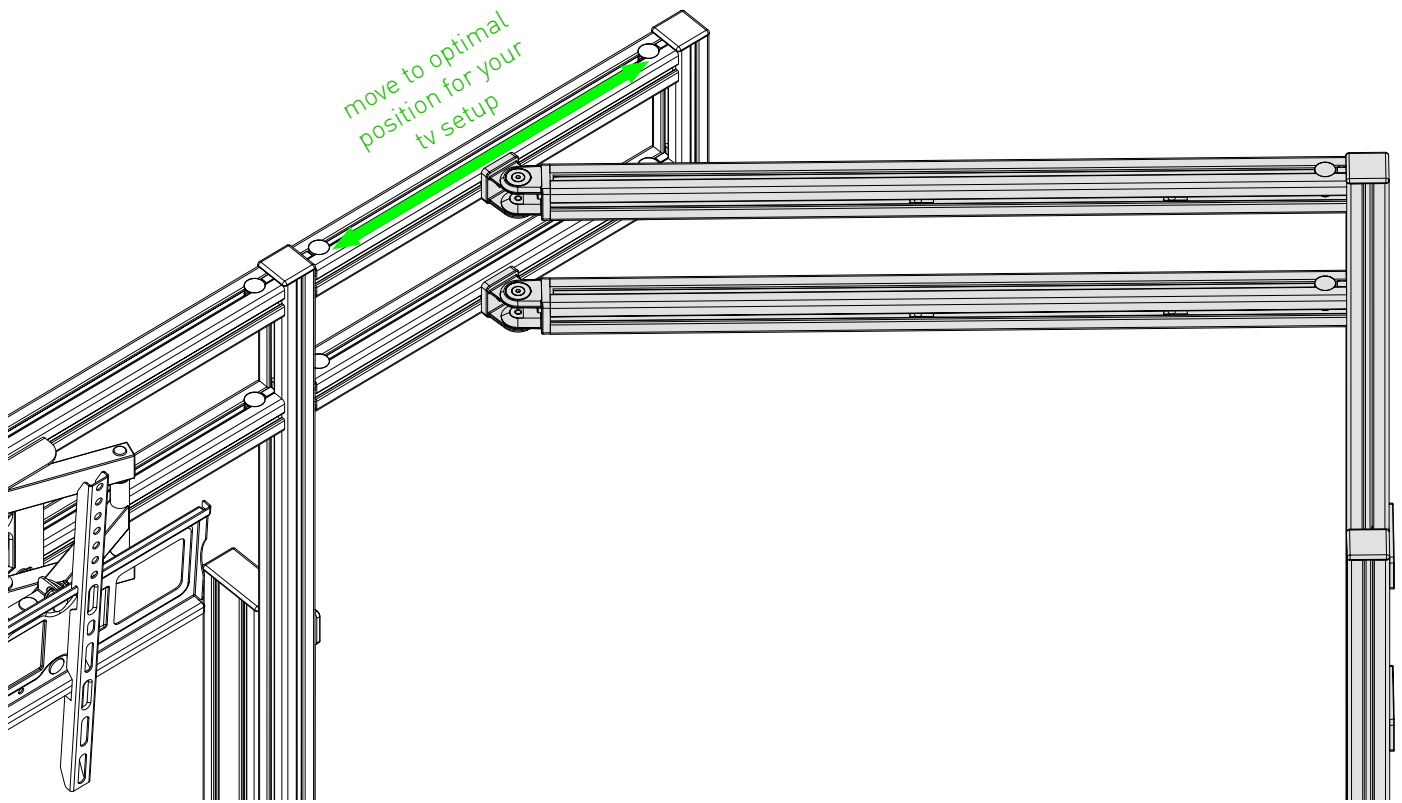


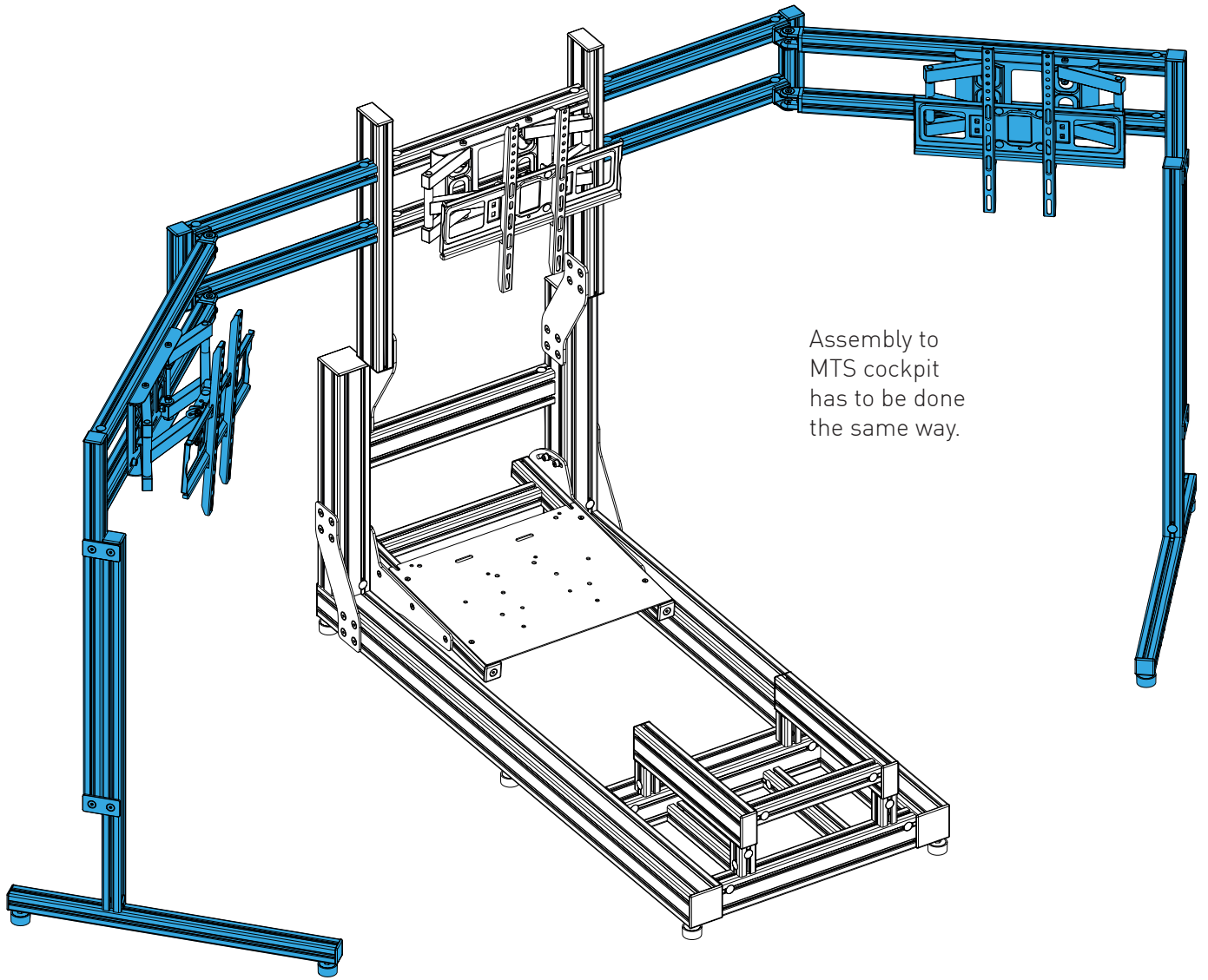












Assembly to  
MTS cockpit  
has to be done  
the same way.

