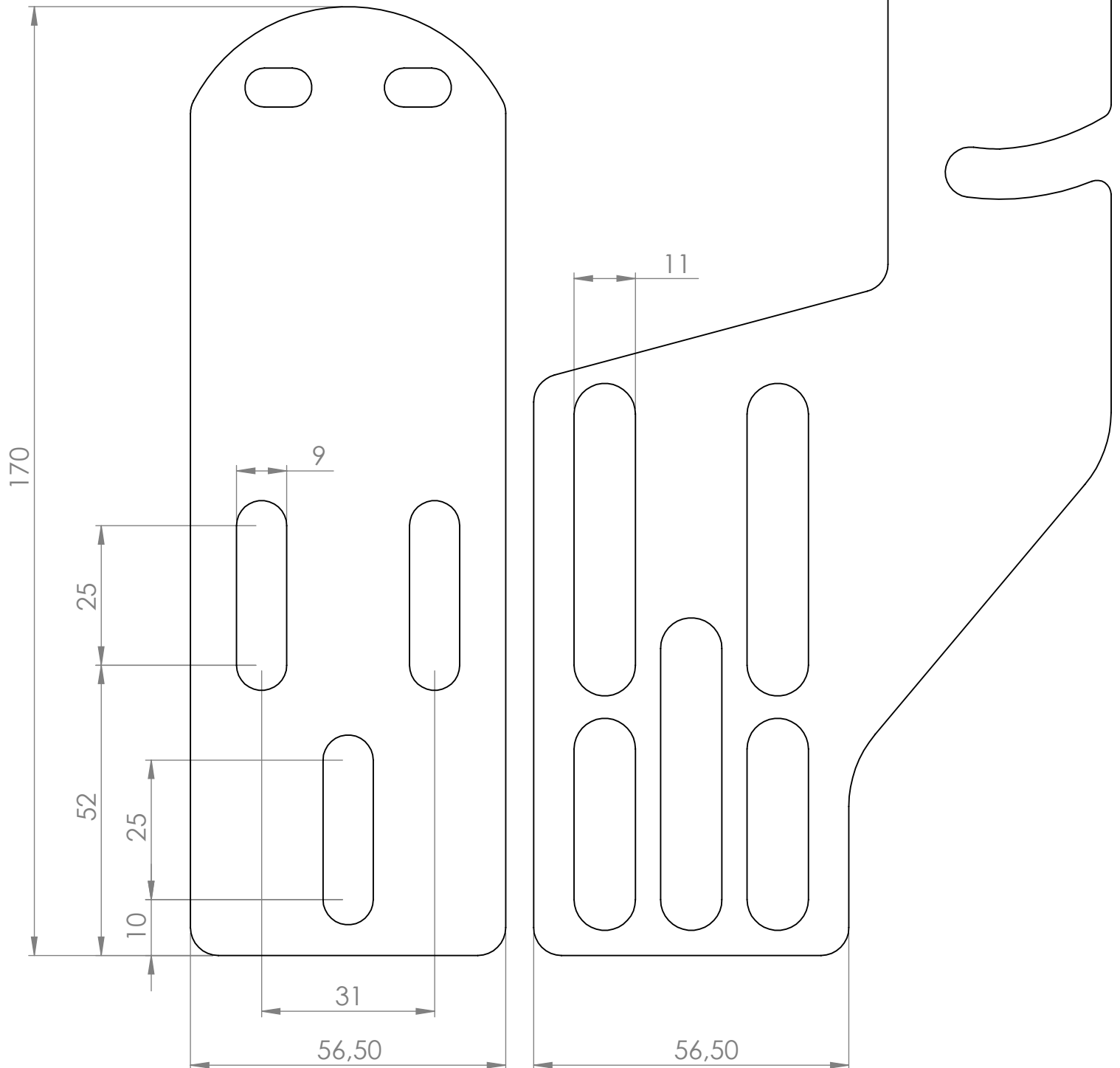




# MONSTERTECH Chair Mount FORM 1

Example:  
**Maxnomic armrest plate**



print in original size  
dimensions in [mm]